

SPARE PARTS EXPLODED VIEW GAS BURNERS

Model

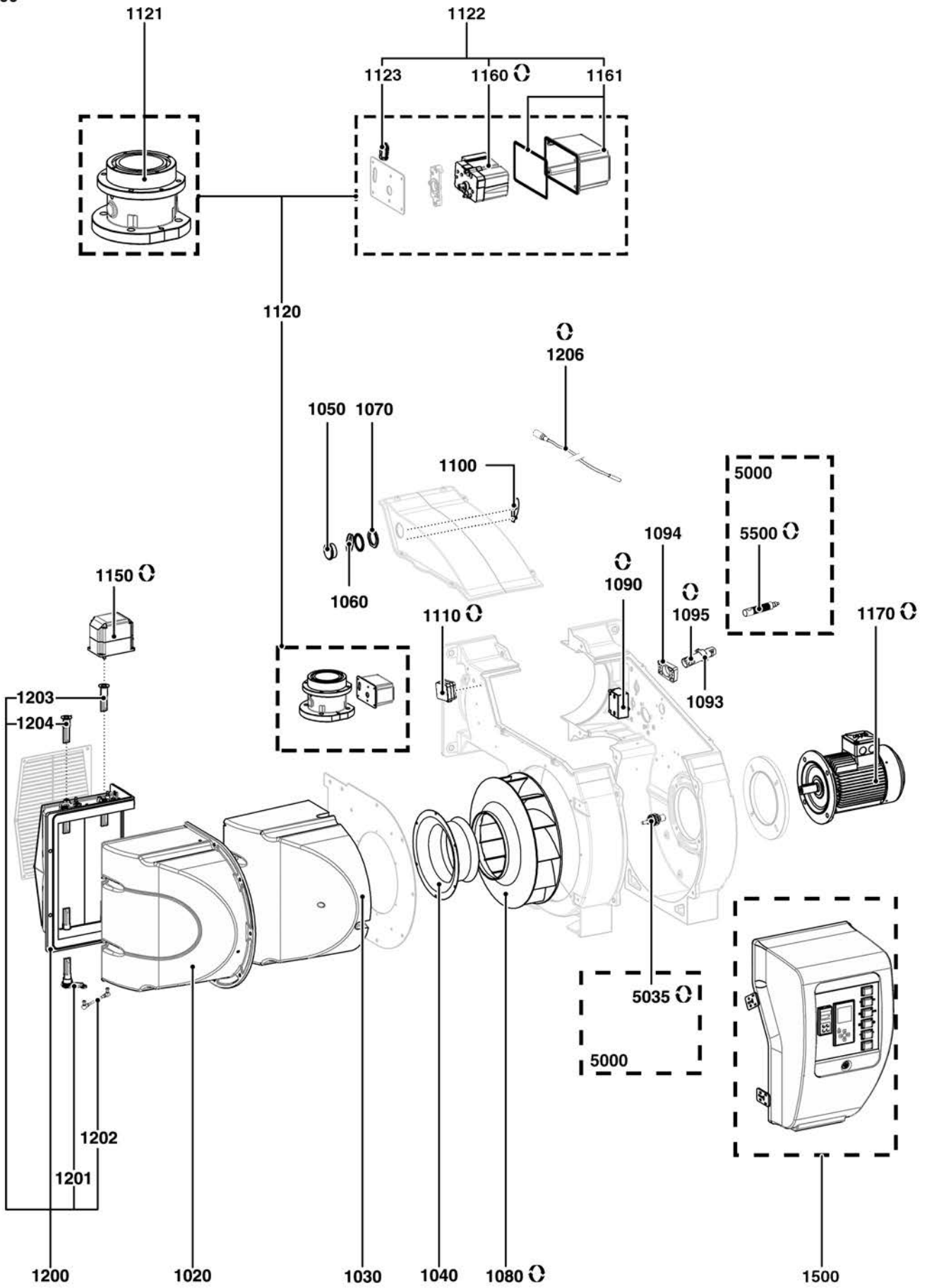
CB-EKEVO 6/7 G-EF3

R8220106-02 - 19/07/2017

1	3754046	EKEVO 6.2400 G-EF3/BT3/KN	05-2015	-
1	3754050	EKEVO 6.2400 G-EF3/BT3/KM	05-2015	-
1	3754054	EKEVO 6.2400 G-EF3/BT3/KL	05-2015	-
2	3754047	EKEVO 6.2900 G-EF3/BT3/KN	05-2015	-
2	3754051	EKEVO 6.2900 G-EF3/BT3/KM	05-2015	-
2	3754055	EKEVO 6.2900 G-EF3/BT3/KL	05-2015	-
3	3754048	EKEVO 7.3600 G-EF3/BT3/KN	05-2015	-
3	3754052	EKEVO 7.3600 G-EF3/BT3/KM	05-2015	-
3	3754056	EKEVO 7.3600 G-EF3/BT3/KL	05-2015	-
4	3754049	EKEVO 7.4500 G-EF3/BT3/KN	05-2015	-
4	3754053	EKEVO 7.4500 G-EF3/BT3/KM	05-2015	-
4	3754057	EKEVO 7.4500 G-EF3/BT3/KL	05-2015	-
5	3756103	EKEVO 7.5800 G-EF3/BT3/KN/QRA2	07-2017	-
5	3756104	EKEVO 7.5800 G-EF3/BT3/KM/QRA2	07-2017	-
5	3756105	EKEVO 7.5800 G-EF3/BT3/KL/QRA2	07-2017	-
6	3750525	GT-S451-1 1/2	01-2014	-
7	3750526	GT-S452-2	01-2014	-
8	3750509	GT-D451-1 1/4	01-2014	-
9	3750510	GT-D452-1 1/2	01-2014	-
10	3750511	GT-D453-2	01-2014	-
11	3750527	GT-S453-65	01-2014	-
12	3750528	GT-S454-80	01-2014	-
13	3750529	GT-S455-100	01-2014	-
14	3750530	GT-S456-125	01-2014	-
15	3750512	GT-D454-65	01-2014	-
16	3750513	GT-D455-80	01-2014	-
17	3750514	GT-D456-100	01-2014	-

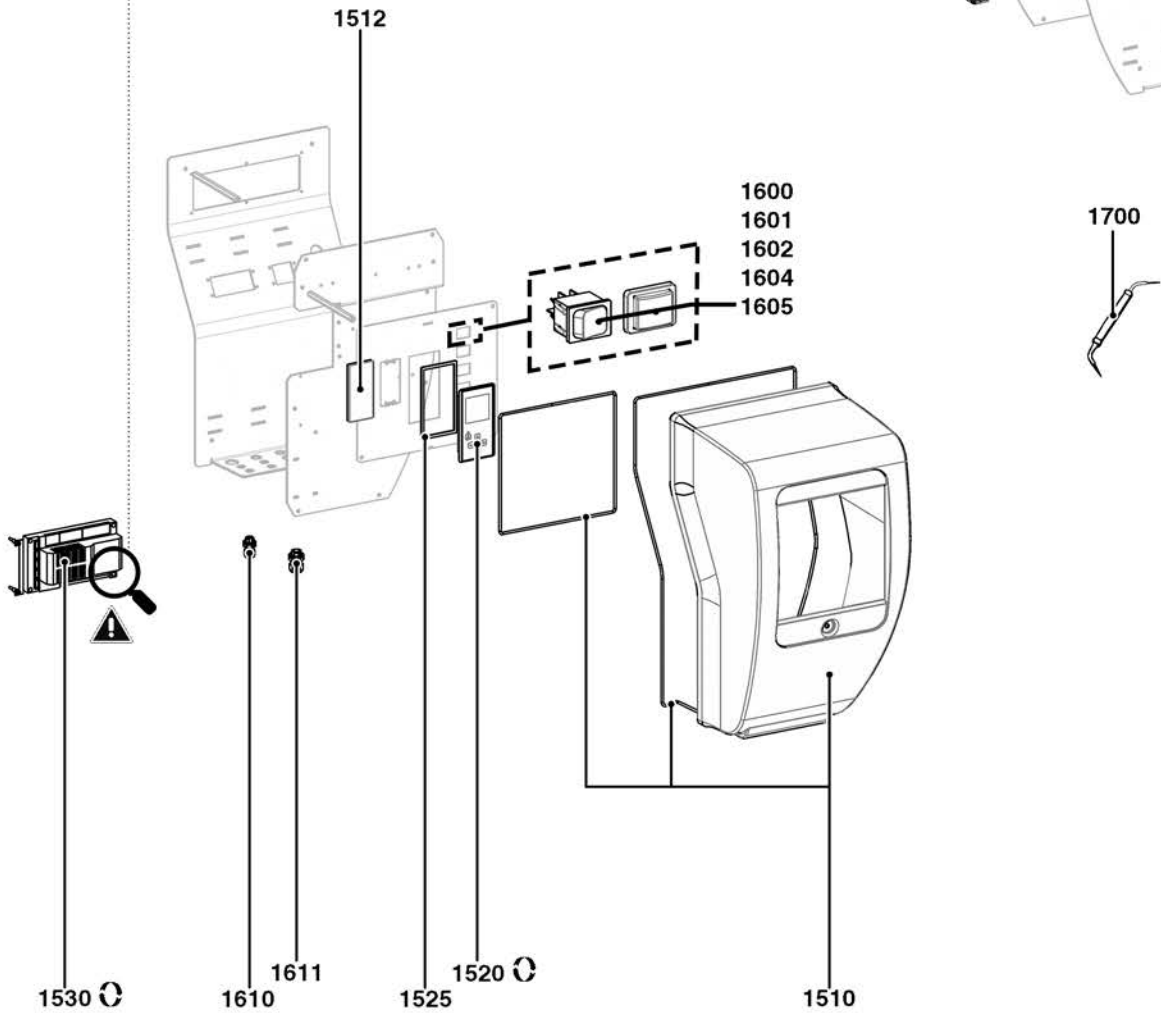
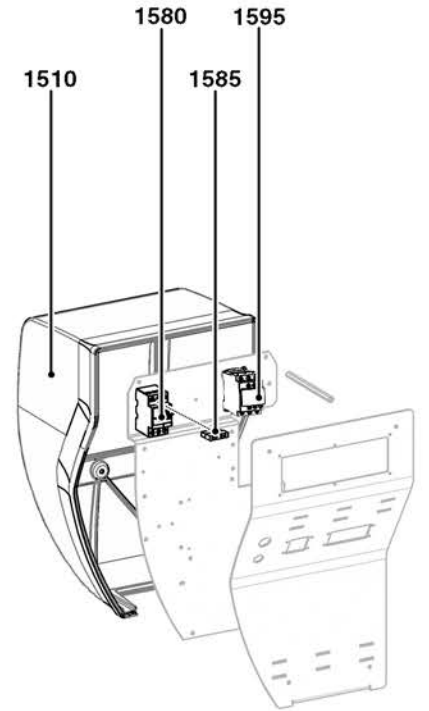
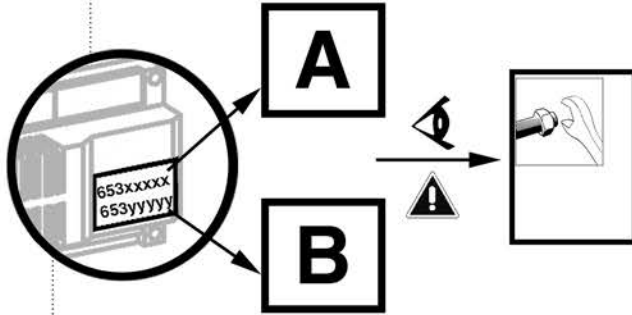
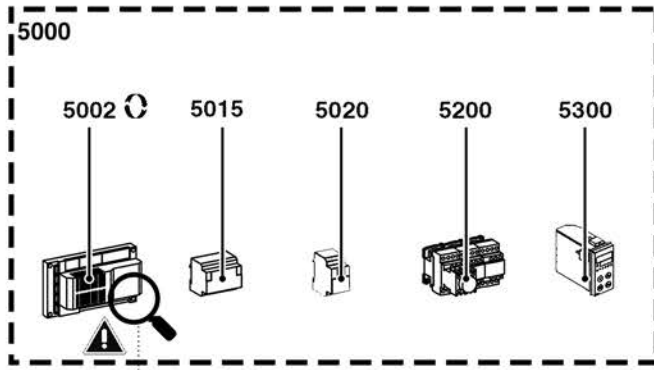
Col	Reference	Model type	Begin	End
-----	-----------	------------	-------	-----

1000

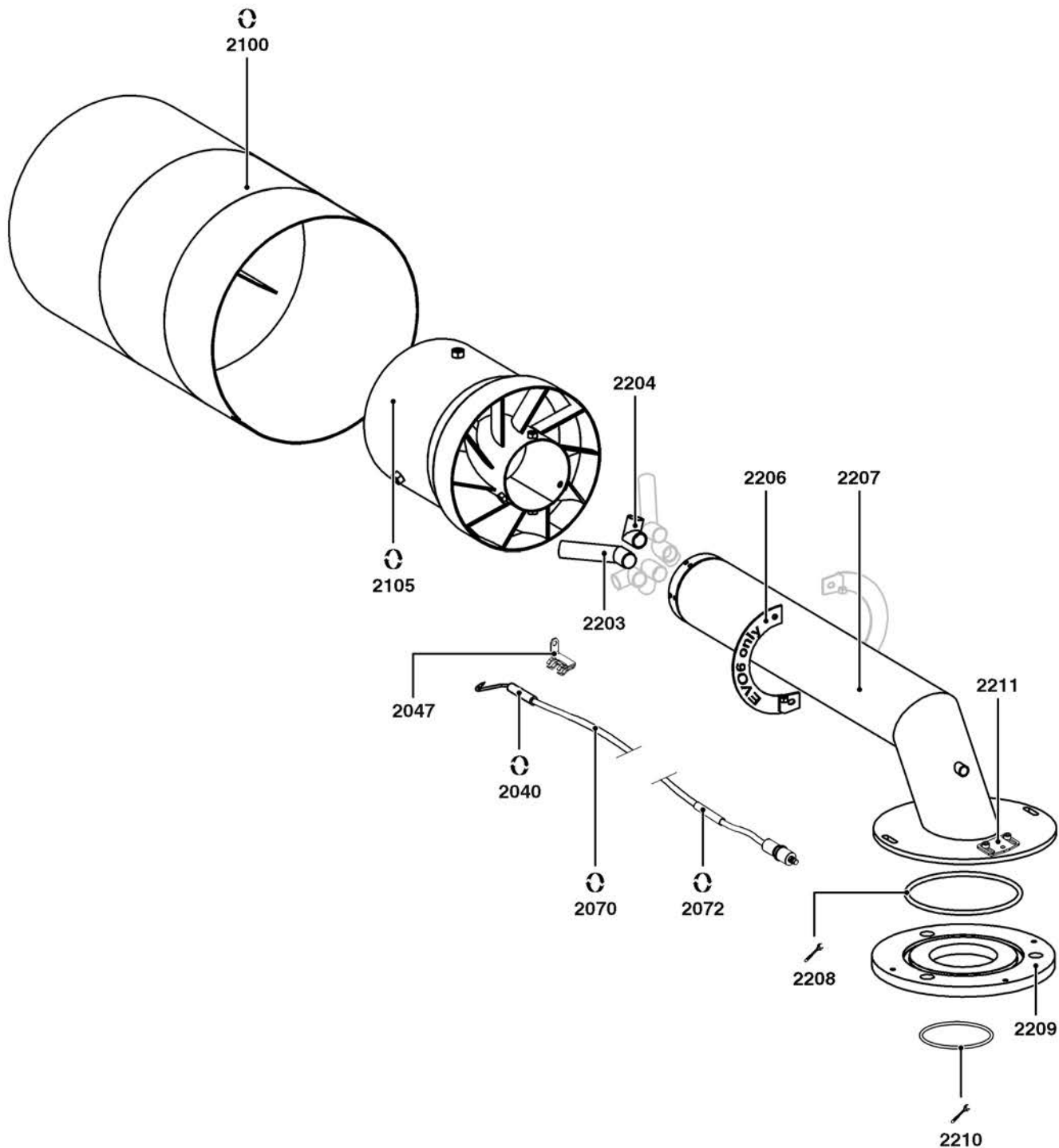


☉⇒	Description	Manf. Pt. N	Type	<div style="display: flex; justify-content: space-between; font-size: small;"> EKEVO 6 2400 G-EF3 EKEVO 6 2900 G-EF3 EKEVO 7 3600 G-EF3 EKEVO 7 4500 G-EF3 GT-S451-1"1/2 GT-S452-2" GT-D451-1"1/4 GT-D452-1"1/2 GT-S453-85 GT-S454-80 GT-S455-100 GT-D454-85 GT-D455-80 </div>																		From	to
				1	2	3	4	5	6	7	8	9	10	11	12	13	14	15	16	17	18		
1000	BURNER BODY																						
1020	AIR BOX COVER	65312332		•	•	•	•	•															
1030	SOUND INSULATION/AIR BOX	65312333		•	•	•	•	•															
1040	AIR GUIDING PIECE D306/222X105	65311490		•	•																		
	AIR GUIDING PIECE D369/249X132	65311474				•	•																
	AIR GUIDING PIECE D430/268X145	65314036						•															
1050	COLORLESS SIGHT GLASS D55X21	1180603227		•	•	•	•	•															
1060	SIGHT GLASS COVER D55X61	1188052260		•	•	•	•	•															
1070	NUT/SIGHT GLASS M48X1,5 SW60	1180559591		•	•	•	•	•															
1080	FAN WHEEL D415/225X84 D28+PLATE D58/12	65311500		•																			
	FAN WHEEL D438/225X89 D28+PLATE D58/12	65311489			•																		
	FAN WHEEL D485/252X102 D38+PLATE D58/12	65311822				•	•																
	FAN WHEEL D540/272X60 D42+PLATE D58/12	65314035						•															
1090	IGNITION TRANSFORMER EBI 1X11 230V	65311471		•	•	•	•	•															
1093	CLIP D22.5 FOR RAR 7/QRA2 PHOTOCELL	65313375		•	•	•	•	•															
1094	PHOTOCELL HOLDER	65312311		•	•	•	•	•															
1095	PHOTOCELL QRA 2	13019278		•	•	•	•	•															
1100	MIRROR/SIGHT GLASS	65311472		•	•	•	•	•															
1110	AIR PRESS.SWITCH LGW 50 A2P 2,5-50MB	65311595	2,5-50mb	•	•	•	•	•															
1120	GAS FLAP+ACTUATOR ASSEMBLY	65312321		•	•	•	•	•															
1121	GAS FLAP ASSEMBLY	65312322		•	•	•	•	•															
1122	GAS ACTUAT. ASSB. STE4.5 B037/6-R 0,8NM	65312323		•	•	•	•	•															
1123	GROMMET DIM.34X15/12 D.6,2	65312458		•	•	•	•	•															
1150	ACTUATOR STE 4,5 Q3.51/6+CABLE L3000	65311650		•	•	•	•	•															
1160	ACTUATOR STE 4,5 B037/6 R+CABLE L600	65300527		•	•	•	•	•															
1161	ACTUATOR COVER	65312327		•	•	•	•	•															
1170	MOTOR 11KW 400/690V D42 IE3 ELV BLACK	65326333							•														
	MOTOR 3,0KW 230/400V D28 IE3 BLACK	65312555		•																			
	MOTOR 4,0KW 400/690V D28 IE BLACK	65312556			•																		
	MOTOR 7,5KW 400/690V D38 IE3 BLACK	65312558				•	•																
1200	AIR FLAP ASSEMBLY	65312328		•	•	•	•	•															
1201	AIR FLAP DRIVING LEVER	65312331		•	•	•	•	•															
1202	CARDAN ROD D10X145 M6 AIR FLAP	65312330		•	•	•	•	•															
1203	SPINDLE / AIR FLAP D34/25X100 FLAT L55	65312329		•	•	•	•	•															
1204	SPINDLE / AIR FLAP D34/25X100 W.POINTER	65312459		•	•	•	•	•															
1206	IGNITION CABLE D4/SAT 72750	65310724		•	•	•	•	•															
5000	ACCESSORY																						
5035	NAMUR SENSOR D25	65312550		•	•	•	•	•															
5500	PHOTOCELL FFS08-UV1 659D31 - 5M W/O	65312274	ETA EXT	•	•	•	•	•															

1500



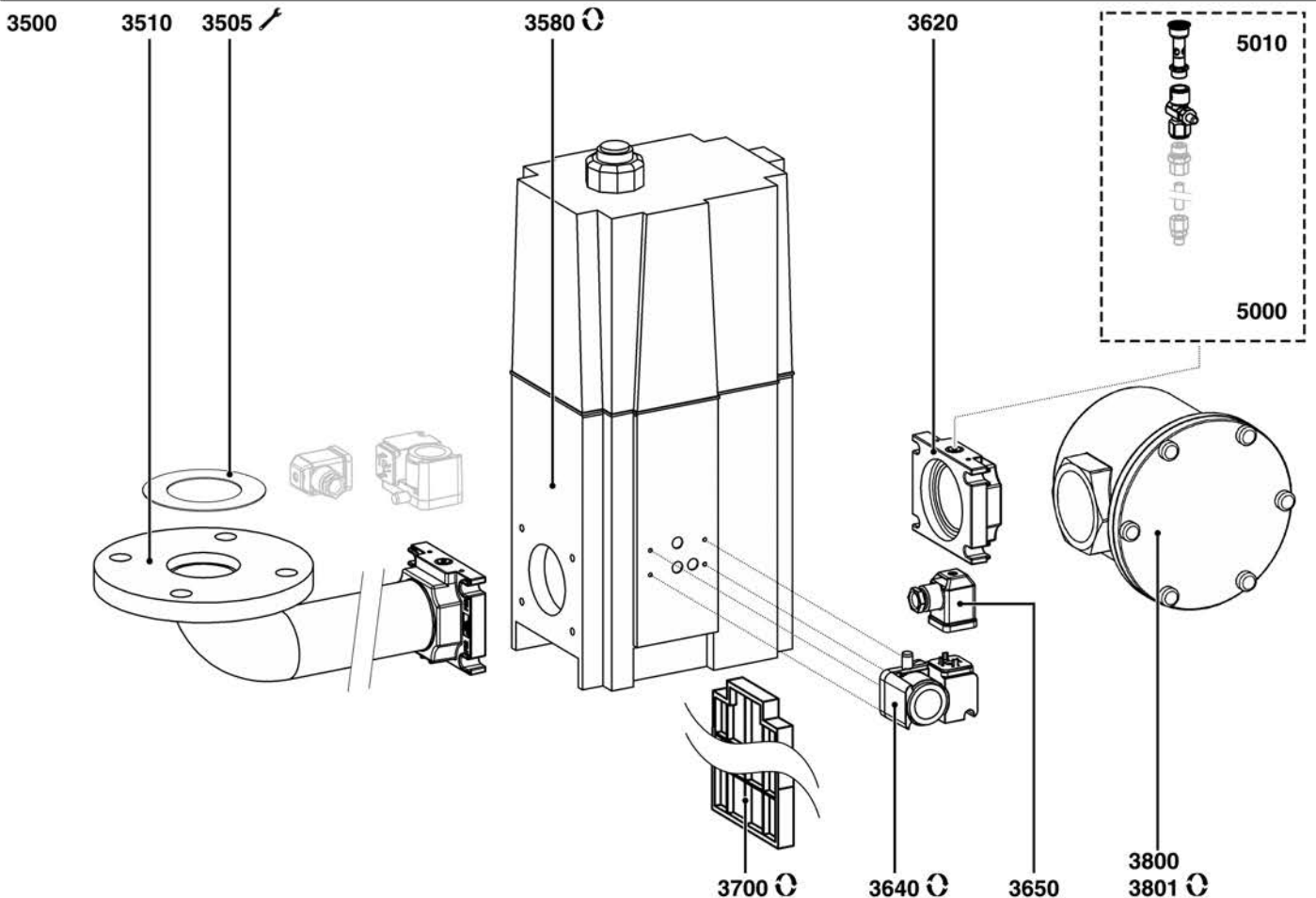
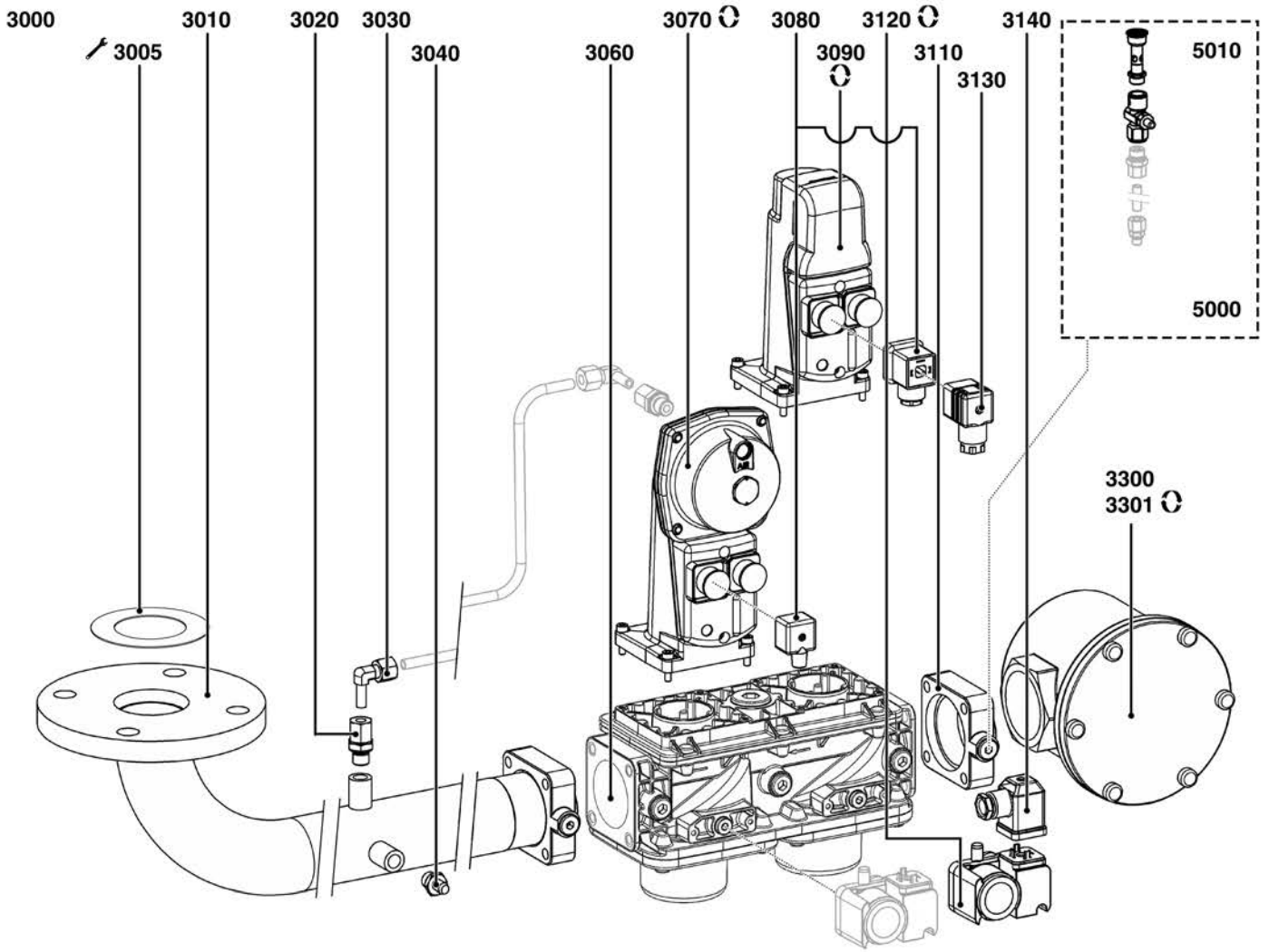
☉⇒	Description	Manf. Pt. N	Type	<div style="display: flex; justify-content: space-between; font-size: 8px; text-align: center;"> EKEVO 6 2400 G-EF3 EKEVO 6 2900 G-EF3 EKEVO 7 3600 G-EF3 EKEVO 7 4500 G-EF3 GT-S451-1" 1/2 GT-S452-2" GT-D451-1" 1/4 GT-D452-1" 1/2 GT-S453-85 GT-S454-80 GT-S455-100 GT-D454-85 GT-D455-80 GT-D456-100 </div>																		From	to
				1	2	3	4	5	6	7	8	9	10	11	12	13	14	15	16	17	18		
1500	ELECTRIC PART																						
1510	SWITCH CABINET COVER	65312340		•	•	•	•	•															
1512	BLIND CAP/CONTROLLER 92X45 IP54	65312338		•	•	•	•	•															
1520	DISPLAY FOR CONTROL UNIT BT3XX	65326869		•	•	•	•	•															
1525	GASKET/DISPLAY 152/140X80/70X2	65311364		•	•	•	•	•															
1530	CONTROL UNIT BT320 G-E, G-EU3, G-EF3	65312451		•	•	•	•	•															
1580	CIRCUIT BREAK. MOTOR 11KW GV2ME22	65312018						•															
	CIRCUIT BREAK. MOTOR 3-4KW GV2ME14	65311794		•	•																		
	CIRCUIT BREAK. MOTOR 7,5 kW GV2ME20	65311776				•	•																
1585	AUXILIARY SWITCH GVAE11	65311795		•	•	•	•	•															
1595	MOTOR CONTACTOR SCH D 3-4kW LC1D09P7	65311793		•	•																		
	MOTOR CONTACTOR SCH D 3-7,5KW LC1D18P7	65311947				•	•																
	MOTOR STARTER Y/D 11KW LC3D12AP7	65312015						•															
1600	SWITCH CABINET LIGHT INDICATOR	65312334		•	•	•	•	•															
1601	2-POS. ROCKER SWITCH	65312335		•	•	•	•	•															
1602	3-POS. ROCKER SWITCH	65312336		•	•	•	•	•															
1604	2-POS. MOMENTARY SWITCH	65312337		•	•	•	•	•															
1605	BLIND CAP/SWITCH CABINET COVER	65312341		•	•	•	•	•															
1610	CABLE GLAND M20	65311758		•	•	•	•	•															
1611	CABLE GLAND M16	65311451		•	•	•	•	•															
1700	OPERATING TOOL WAG 2009-309	65311446		•	•	•	•	•															
5000	ACCESSORY																						
5002	CONTR. UNIT BT320 BASIC SETTING	65312445		•	•	•	•	•															
	CONTR. UNIT BT320 CUSTOMIZED SETTING	65312448		•	•	•	•	•															
	CONTR. UNIT BT320 G-E,EU3,EF3 (+FRQ.CTR)	65312452		•	•	•	•	•															
	CONTR. UNIT BT330 BASIC SETTING	65312446		•	•	•	•	•															
	CONTR. UNIT BT330 CUSTOMIZED SETTING	65312449		•	•	•	•	•															
5015	LCM100 MODULE (LSB-M 667R0500-1)	65311790		•	•	•	•	•															
5020	VSM100 MODULE (LSB-M 667R0200-1)	65311918		•	•	•	•	•															
5200	MOTOR STARTER Y/D 7,5 KW LC3D090AP7	65311948		•	•	•	•	•															
5300	CONTROLLER RWF 55.50A9	65114033		•	•	•	•	•															



☉⇒	Description	Manf. Pt. N	Type	<div style="display: flex; justify-content: space-between; font-size: 8px; transform: rotate(-45deg);"> EKEVO 6 2400 G-EF3 EKEVO 6 2900 G-EF3 EKEVO 7 3600 G-EF3 EKEVO 7 4500 G-EF3 GT-S451-1" 1/2 GT-S452-2" GT-D451-1" 1/4 GT-D452-1" 1/2 GT-S453-85 GT-S454-80 GT-S455-100 GT-D454-85 GT-D455-80 GT-D456-100 </div>																		From	to
				1	2	3	4	5	6	7	8	9	10	11	12	13	14	15	16	17	18		
2000	COMBUSTION HEAD																						
2040	IGNITION ELECT. D9X50 D3X35 90+60°L150D4	65311875		•	•	•	•	•															
2047	IGNITION ELECTRODE SUPPORT	65312834				•	•	•															
2070	IGNITION CABLE FZLSI 1X1,00Q-CU/SILICONE	65313731		•	•	•	•	•															
2072	RESISTOR (NOISE REDUCER) 1KOHM D10X52.5	3333260384		•	•	•	•	•															
2100	FLAME TUBE D262,5/220/171 L450 F3	65312824		•	•																		
	FLAME TUBE D262,5/220/171 L570 F3	65312825		•	•																		
	FLAME TUBE D262,5/220/171 L690 F3	65312826		•	•																		
	FLAME TUBE D323,5/240 L470 F3	65312827				•																	
	FLAME TUBE D323,5/240 L600 F3	65312828				•																	
	FLAME TUBE D323,5/240 L730 F3	65312829				•																	
	FLAME TUBE D323,5/268 L470 F3	65312830						•	•														
	FLAME TUBE D323,5/368 L600 F3	65312831						•	•														
	FLAME TUBE D323,5/368 L730 F3	65312832						•	•														
2105	SWIRLER D190/170/84X235 10SL	65311455		•	•																		
	SWIRLER D210/190/101X300 10SL	65311464				•																	
	SWIRLER D240/214/101X325 10SL	65311543						•	•														
2203	GAS NOZZLE D18/16X70 135°	65311456		•	•																		
	GAS NOZZLE D25/17X82 140°	65311465				•																	
	GAS NOZZLE D25/20X95 135°	65311467						•	•														
2204	STABILISER GAS NOZZLE D18/15	65311470		•	•																		
	STABILISER GAS NOZZLE D20/16	65311466				•																	
	STABILISER GAS NOZZLE D20/17	65311468						•	•														
2206	SWIRLER RESTRICTOR D85/144	65311354		•	•																		
2207	GAS INLET TUBE LG560	65311504		•	•																		
	GAS INLET TUBE LG590	65311519				•	•	•															
	GAS INLET TUBE LG680	65311505		•	•																		
	GAS INLET TUBE LG710	65311521				•	•	•															
	GAS INLET TUBE LG800	65311493		•	•																		
	GAS INLET TUBE LG830	65311523				•	•	•															
2208	O-RING 199D117,48X5,33 NBR	65311496		•	•																		
	O-RING 217D142,88X5,33 NBR	65311807				•	•	•															
2209	ADAPTER PLATE/GAS DIFFUSER	65311492		•	•																		
	ADAPTER PLATE/GAS DIFFUSER	65311510				•	•	•															
2210	O-RING 6387D97,79X5,33 NBR	65311491		•	•	•	•	•															
2211	POSITIONING PLATE F. F3 GAS HEAD	65312823		•	•	•	•	•															

CB-EKEVO 6/7 G-EF3

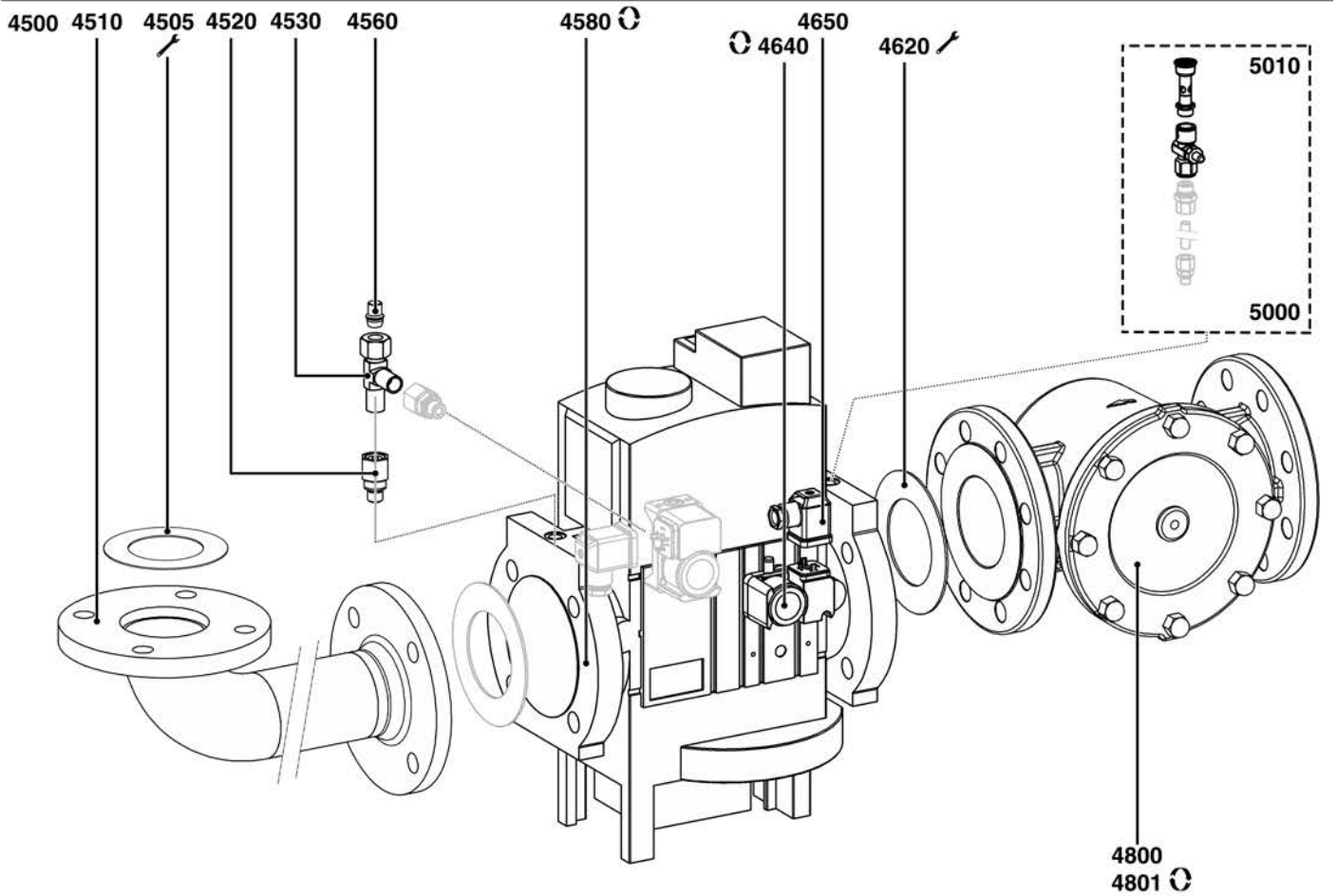
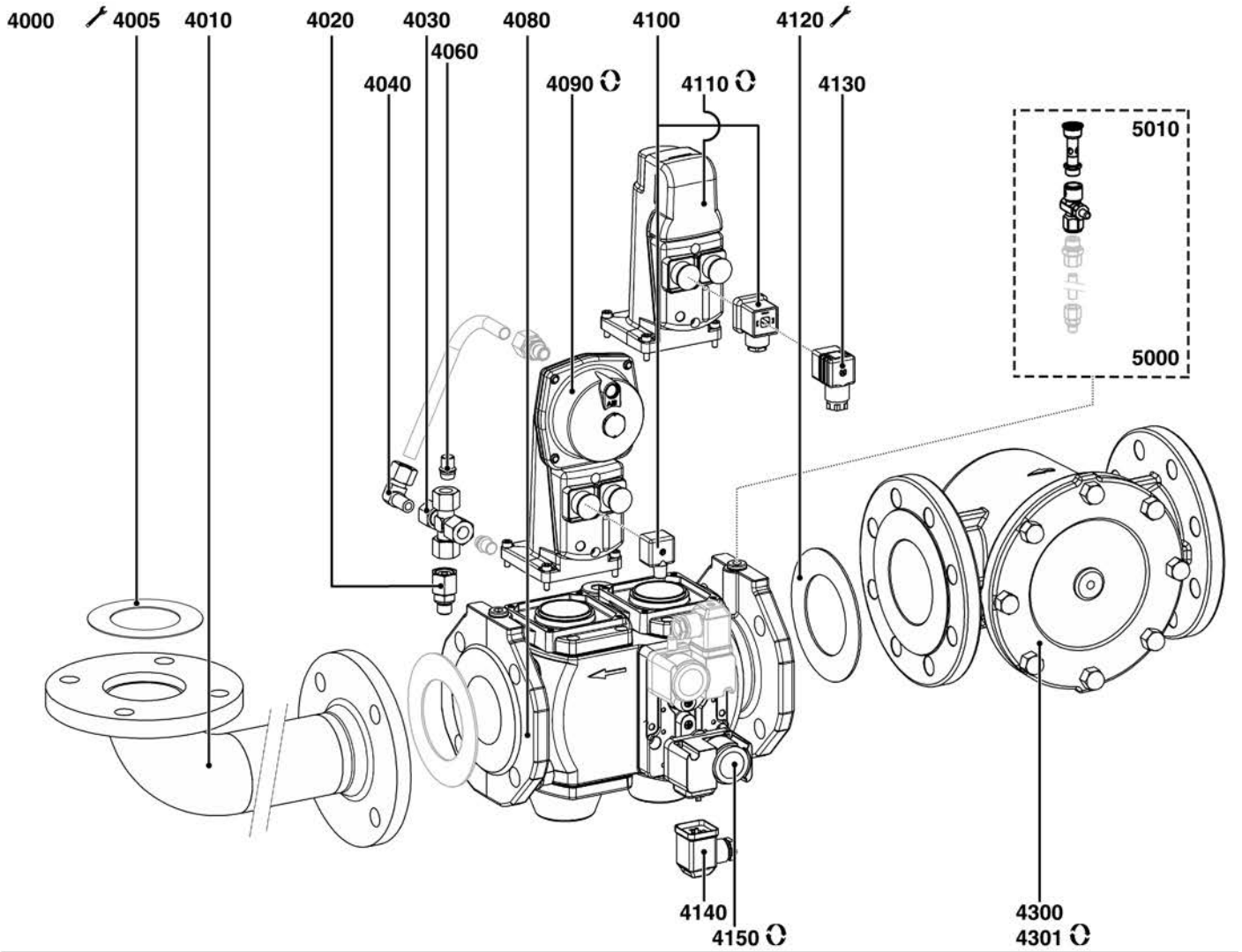
Gas burners



☉⇒	Description	Manf. Pt. N	Type	<div style="display: flex; justify-content: space-between; font-size: 8px; font-weight: bold;"> EKEVO 6 2400 G-EF3 EKEVO 6 2900 G-EF3 EKEVO 7 3600 G-EF3 EKEVO 7 4500 G-EF3 GT-S451-1" 1/2 GT-S452-2" GT-D451-1" 1/4 GT-D452-1" 1/2 GT-S453-85 GT-S454-80 GT-S455-100 GT-D454-125 GT-D455-80 GT-D456-100 </div>																		From	to
				1	2	3	4	5	6	7	8	9	10	11	12	13	14	15	16	17	18		
3000	GAS TRAIN																						
3005	GASKET/GASTRAIN D125/90X3	65321049							●	●													
3010	COLLECTOR DN65-R1 1/2Z 2G1/4 PN16	65311503							●														
	COLLECTOR DN65-R2Z 2G1/4 PN16	65311488								●													
3020	STRAIGHT UNION P-GEV 8LR-WD-VI	65311606							●	●													
3030	ANGLED UNION P-EWW 8-L	65311604							●	●													
3040	PRESSURE TAP R1/4Z+GASKET	65311579							●	●													
3060	GAS VALVE VGD20 4011 RP1"1/2	65311580							●														
	GAS VALVE VGD20 5011 RP2"	65311581								●													
3070	GAS ACTUATOR SKP25.003E2 W.O.END SWITCH	65107100							●	●													
3080	CABLE CONNECT AGA 62 PLUG DIN L270	65311585							●	●													
3090	GAS ACTUATOR SKP15.000E2 W/O END SWITCH	1478836180							●	●													
3110	FLANGE AGF10 RP1 1/2	65313107							●														
	FLANGE AGF10.50 RP2	65311377								●													
3120	GAS PRESS.SWITCH GW 150 A6 10-150MB DIN	65311597	30-150mb						●	●													
	GAS PRESS.SWITCH GW 500 A5 100-500MB	13010091	30-500mb						●	●													
3130	FEMALE CONNECTOR AGA64	65311586							●	●													
3140	CONNECTOR GDMW 30-11 DF	65311615							●	●													
3300	GAS FILTER GF65MF-2020-A-1 DN65 1BAR	65311460							●	●													
	GAS FILTER GF80M-1212-A-1 RP1 1/2 1BAR	65311458							●														
	GAS FILTER GF80M-1616-A-1 RP2 1BAR	65311459							●	●													
	GAS FILTER GF80MF-2424-A-1 DN80 1BAR	65311461							●	●													
3301	STRAINER ELEMENT GF 80M	65311361							●	●													
	STRAINER ELEMENT GF65MF	65311723							●	●													
	STRAINER ELEMENT GF80MF	65311888							●	●													
3500	GAS TRAIN																						
3505	GASKET/GASTRAIN D125/90X3	65321049								●	●	●											
3510	COLLECTOR DN65-R1 1/2Z PN16	65311836							●	●													
	COLLECTOR DN65-R2Z PN16	65311837									●												
3580	GAS VALVE MBC1200 SE S82 RP2" 5-80 MB	65311840									●												
	GAS VALVE MBC300 SE S82 5-80MB	65311838							●														
	GAS VALVE MBC700SE S82 RP1"1/4 5-80MB	65311839								●													
3620	FLANGE MBC300 RP1 1/2	65311841							●														
	FLANGE MBC700/1200 RP1 1/2	65313021								●													
	FLANGE MBC700/1200 RP2	65313022									●												
3640	GAS PRESS.SWITCH GW 150 A5 30-150MB	65311598	OPTION							●	●	●											
	GAS PRESS.SWITCH GW 500 A5 100-500MB	13010091	30-500mb							●	●	●											
3650	CONNECTOR GDMW 30-11 DF	65311615							●	●	●												
3700	SCREEN FILTER/GAS VALVE MBC1200	13022417									●												
	SCREEN FILTER/GAS VALVE MBC300	13022415							●														
	SCREEN FILTER/GAS VALVE MBC700	13022416								●													
3800	GAS FILTER GF65MF-2020-A-1 DN65 1BAR	65311460							●	●	●												
	GAS FILTER GF80M-1212-A-1 RP1 1/2 1BAR	65311458							●	●													
	GAS FILTER GF80M-1616-A-1 RP2 1BAR	65311459							●	●	●												
	GAS FILTER GF80MF-2424-A-1 DN80 1BAR	65311461							●	●	●												
3801	STRAINER ELEMENT GF 80M	65311361							●	●	●												
	STRAINER ELEMENT GF65MF	65311723							●	●	●												
	STRAINER ELEMENT GF80MF	65311888							●	●	●												
5000	ACCESSORY																						
5010	TRIAL BURNER WITH PUSH-BUTTON PB2	65311362							●	●	●	●	●										

CB-EKEVO 6/7 G-EF3

Gas burners






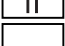

Description	Manf. Pt N	Type	<div style="display: flex; justify-content: space-between; font-size: 8px; font-weight: bold;"> EKEVO 6 2400 G-EF3 EKEVO 6 2900 G-EF3 EKEVO 7 3600 G-EF3 EKEVO 7 4500 G-EF3 GT-S451-1" 1/2 GT-S452-2" GT-DA51-1" 1/4 GT-DA52-1" 1/2 GT-S453-85 GT-S454-80 GT-S455-100 GT-DA54-125 GT-DA55-80 GT-DA56-100 </div>																		From	to
			1	2	3	4	5	6	7	8	9	10	11	12	13	14	15	16	17	18		
4000 GAS TRAIN																						
4005 GASKET/GASTRAIN D125/90X3	65321049											•	•	•	•							
4010 COLLECTOR DN65-DN100 PN16	65311508													•								
COLLECTOR DN65-DN125 PN16	65311509														•							
COLLECTOR DN65-DN65 PN16	65311506											•										
COLLECTOR DN65-DN80 PN16	65311494												•									
4020 STRAIGHT UNION P-EGES 12L/R 1/4WD	65311601											•	•	•	•							
4030 UNION P-KV12L	65311605											•	•	•	•							
4040 ANGLED UNION P-EWS 12 L-SS	65311603											•	•	•	•							
4060 STOPPER D15/10X21 VSD 12L/S O.M.MB	65311607											•	•	•	•							
4080 GAS VALVE VGD40 065 DN65	65323661											•										
GAS VALVE VGD40 080 DN80	65311583												•									
GAS VALVE VGD40 100 DN100	65311590													•								
GAS VALVE VGD40 125 DN125	65311453														•							
4090 GAS ACTUATOR SKP25.003E2 W.O.END SWITCH	65107100											•	•	•	•							
4100 CABLE CONNECT AGA 62 PLUG DIN L270	65311585											•	•	•	•							
4110 GAS ACTUATOR SKP15.000E2 W/O END SWITCH	1478836180											•	•	•	•							
4120 GASKET/GASTRAIN D127/77X2 DN65	65311611											•										
GASKET/GASTRAIN D142/90X2 DN80	65311612												•									
GASKET/GASTRAIN D162/115X2 DN100	65311613													•								
GASKET/GASTRAIN D192/141X2 DN125	65311614														•							
GASKET/GASTRAIN D218/169X2 DN150	65311342															•						
4130 FEMALE CONNECTOR AGA64	65311586											•	•	•	•							
4140 CONNECTOR GDMW 30-11 DF	65311615											•	•	•	•							
4150 GAS PRESS.SWITCH GW 150 A6 10-150MB DIN	65311597	30-150mb										•	•	•	•							
GAS PRESS.SWITCH GW 500 A5 100-500MB	13010091	30-500mb										•	•	•	•							
4300 GAS FILTER GF100MF-3232-A-1 DN100 1BAR	65311462											•	•	•	•							
GAS FILTER GF125MF-4040-A-1 DN125 1BAR	65311463											•	•	•	•							
GAS FILTER GF150MF-4848-A-1 DN150 1BAR	65311892											•	•	•	•							
GAS FILTER GF65MF-2020-A-1 DN65 1BAR	65311460											•										
GAS FILTER GF80MF-2424-A-1 DN80 1BAR	65311461											•										
4301 STRAINER ELEMENT GF100MF	65311889											•	•	•								
STRAINER ELEMENT GF125MF	65311890											•	•	•	•							
STRAINER ELEMENT GF150MF	65311623											•	•	•	•							
STRAINER ELEMENT GF65MF	65311723											•										
STRAINER ELEMENT GF80MF	65311888											•	•									
4500 GAS TRAIN																						
4505 GASKET/GASTRAIN D125/90X3	65321049														•	•	•					
4510 COLLECTOR DN65-DN100 PN16	65311508																	•				
COLLECTOR DN65-DN65 PN16	65311506														•							
COLLECTOR DN65-DN80 PN16	65311494															•						
4520 STRAIGHT UNION P-EGES 12L/R 1/4WD	65311601											•	•	•	•							
4530 T-UNION P-TV 12 L	65311344											•	•	•	•							
4560 STOPPER D15/10X21 VSD 12L/S O.M.MB	65311607											•	•	•	•							
4580 GAS VALVE MBC1900 SE DN65 40-80MBAR	65311844												•									
GAS VALVE MBC3100 SE DN80 40-80 MBAR	65311845													•								
GAS VALVE MBC5000 SE DN100 40-80 MBAR	65311846														•							
4620 GASKET/GASTRAIN D127/77X2 DN65	65311611														•							
GASKET/GASTRAIN D142/90X2 DN80	65311612															•						
GASKET/GASTRAIN D162/115X2 DN100	65311613																•					
GASKET/GASTRAIN D192/141X2 DN125	65311614																•					
GASKET/GASTRAIN D218/169X2 DN150	65311342																	•				
4640 GAS PRESS.SWITCH GW 150 A6 10-150MB DIN	65311597	30-150mb														•	•	•				
GAS PRESS.SWITCH GW 500 A5 100-500MB	13010091	30-500mb														•	•	•				
4650 CONNECTOR GDMW 30-11 DF	65311615											•	•	•	•							
4800 GAS FILTER GF100MF-3232-A-1 DN100 1BAR	65311462											•	•	•	•							
GAS FILTER GF125MF-4040-A-1 DN125 1BAR	65311463											•	•	•	•							
GAS FILTER GF150MF-4848-A-1 DN150 1BAR	65311892											•	•	•	•							
GAS FILTER GF65MF-2020-A-1 DN65 1BAR	65311460											•										
GAS FILTER GF80MF-2424-A-1 DN80 1BAR	65311461											•										
4801 STRAINER ELEMENT GF100MF	65311889											•	•	•								
STRAINER ELEMENT GF125MF	65311890											•	•	•	•							
STRAINER ELEMENT GF150MF	65311623											•	•	•	•							
STRAINER ELEMENT GF65MF	65311723											•										
STRAINER ELEMENT GF80MF	65311888											•	•									
5000 ACCESSORY																						
5010 TRIAL BURNER WITH PUSH-BUTTON PB2	65311362											•	•	•	•	•	•					

		DE NL	FR ES	IT	X
1020	65312332	HAUBE LUFTANSAUGKASTEN KAP/LUCHTKAST	CAPOT/BOITE A AIR CUBIERTA/CAJA DE AIRE	COPERCHIO/SCATOLA DELL'ARIA	1
1030	65312333	DÄMMSTOFFFORMTEIL GELUIDSSISOLATIE/LUCHTKAST	ISOLATION PHONIQUE/BOITE A AIR AISLAMIENTO/CAJA DE AIRE	ISOLAMENTO FONICO/SCATOLA DELL'ARIA	1
1040	65311474	ANSAUGTRICHTER D369/249X132 LUCHTGELEIDER D369/249X132	GUIDE AIR D369/249X132 CANALIZACIÓN AIRE D369/249X132	GUIDA ARIA D369/249X132	1
	65311490	ANSAUGTRICHTER D306/222X105 LUCHTGELEIDER D306/222X105	GUIDE AIR D306/222X105 CANALIZACIÓN AIRE D306/222X105	GUIDA ARIA D306/222X105	1
	65314036	ANSAUGTRICHTER D430/268X145 LUCHTGELEIDER D430/268X145	GUIDE AIR D430/268X145 CANALIZACIÓN AIRE D430/268X145	GUIDA ARIA D430/268X145	1
1050	1180603227	SCHAUGLAS F.MONOBL.KLAR D55X21 KIJKGLAS D55X21	VERRE DE REGARD D55x21 CLAIR MIRILLA INCOLORE D55X21	SPIONCINO INCOLORE D55X21	1
1060	1188052260	SCHAUGLASDECKEL Z.MONOBL.55X61 DEKSEL/KIJKGLAS D55X61	CACHE REGARD D55X61 TAPA/MIRILLA D55X61	COPERCHIO/SPIONCINO D55X61	1
1070	1180559591	MUTTER SCHAUGLAS M48X1,5 SW60 MOER/KIJKGLAS M48X1,5 SW60	ECROU REGARD M48X1,5 SW60 TUERCA/MIRILLA M48X1,5 SW60	DADO/SPIONCINO M48X1,5 SW60	1
1080	65311489	VENTILATORRAD D438/225X89-D28+ENTSCH.D58 VENTILATORWIEL D438/225X89 D28+PLATE D58	TURBINE D438/225X89 D28+PLAQUE D58/12 TURBINA D438/225X89 D28+PLACA D58/12	VENTOLA D438/225X89 D28+PIASTRA D58/12	1
	65311500	VENTILATORRAD D415/225X84-D28+ENTSCH.D58 VENTILATORWIEL D415/225X84-D28+PLAAT D58	TURBINE D415/225X84 D28+PLAQUE D58/12 TURBINA D415/225X84 D28+PLACA D58/12	VENTOLA D415/225X84 D28+PIASTRA D58/12	1
	65311822	VENTILATORRAD D485/252X102-D38+ENTSC.D58 VENTILATORWIEL D485/252X102D38+PLATE D58	TURBINE D485/252X102 D38+PLAQUE D58/12 TURBINA D485/252X102 D38+PLACA D58/12	VENTOLA D485/252X102 D38+PIASTRA D58/12	1
	65314035	VENTILATORRAD D540/272X60D42+ENTSCH. D58 VENTILATORWIEL D540/272X60 D42+PLAAT D58	TURBINE D540/272X60 D42+PLAQUE D58/12 TURBINA D540/272X60 D42+PLACA D58/12	VENTOLA D540/272X60 D42+PIASTRA D58/12	1
1090	65311471	ZUENDTRAF0 EBI 1X11 230V ONTSTEKINGSTRAFO EBI 1X11 230V	ALLUMEUR EBI 1X11 230V ENCENDEDOR EBI 1X11 230V	TRASFORMATORE ACCENSIONE EBI 1X11 230V	1
1093	65313375	KLAMMER D22.5 ZU FOTOZELLE RAR 7/QRA 2 STIJGBEUGEL FOTOCEL D22.5 RAR 7/QRA 2	ETRIER CELLULE D22.5 POUR RAR 7/QRA 2 ESTRIBO CELULA D22.5 PARA RAR 7/QRA 2	STAFFA FOTOCELLULA D22.5 PER RAR7/QRA2	1
1094	65312311	FLANSCH FOTOZELLENHALTER D22.5 ALU FOTOCEL STEUN	SUPPORT CELLULE SOPORTE CELULA	SUPPORTO FOTOCELLULA	1
1095	13019278	FOTOZELLE QRA 2 FOTOCEL QRA 2	CELLULE QRA 2 CELULA QRA 2	CELLULA QRA 2	1
1100	65311472	SICHTSPIEGEL FÜR SCHAUGLAS SPIEGEL/KIJKGLAS	MIROIR/REGARD ESPEJO/MIRILLA	SPECCHIO/SPIONCINO	1
1110	65311595	DRUCKWAECHTER LGW 50 A2P 2,5-50MBAR LUCHTDRIUKSCHAKELAAR LGW 50 A2P 2,5-50MB	MANOSTAT AIR LGW 50 A2P 2,5-50MB PRESOSTATO AIRE LGW 50 A2P 2,5-50MB	PRESSOSTATO ARIA LGW 50 A2P 2,5-50MB	1
1120	65312321	GASKLAPPE+SCHRITTMOTOR BG GASKLEP+SERVOMOTOR EQ.	CLAPET GAZ+SERVOMOTEUR EQ. VALVULA DEL GAS+SERVOMOTOR EQ.	VALVOLA DEL GAS+SERVOMOTORE COMPL.	1
1121	65312322	GASKLAPPE BG GASKLEP EQ.	CLAPET GAZ EQ. VALVULA DEL GAS EQ.	VALVOLA GAS COMPL.	1
1122	65312323	GASSTELLANTRIEB BG STE4.5 B037/6-R 0,8NM SERVOMOT. GAS KPL.STE4.5 B037/6-R 0,8 NM	SERVOMOT. GAZ CPL.STE4.5 B037/6-R 0,8NM SERVOMOT. GAS EQ. STE4.5 B037/6-R 0,8NM	SERVOMOT. GAS EQ. STE4.5 B037/6-R 0,8 NM	1
1123	65312458	KABELDURCHFUEHRUNG DIM.34X15/12 D.6,2 DRAADDOORVOER DIM.34X15/12 D.6,2	PASSE-FIL DIM.34X15/12 D.6,2 PASACABLE DIM.34X15/12 D.6,2	PASSA FILO DIM.34X15/12 D.6,2	1
1150	65311650	STELLANTRIEB STE 4,5 Q3.51/6+KABEL L3000 SERVOMOTOR STE 4,5 Q3.51/6+CABLE L3000	SERVOMOTEUR STE 4,5 Q3.51/6+CABLE L3000 SERVOMOTOR STE 4,5 Q3.51/6+CABLE L3000	SERVOMOTORE STE 4,5 Q3.51/6+CAVO L3000	1
1160	65300527	STELLANTRIEB STE 4,5 B037/6 R+KABEL L600 REGELMOTOR STE 4,5 B037/6 R+KABEL L600	SERVOMOTEUR STE 4,5 B037/6 R+CABLE L600 SERVOMOTOR STE 4,5 B037/6 R+CABLE L600	SERVOMOTORE STE 4,5 B037/6 R+CAVO L600	1
1161	65312327	HAUBE F. SCHRITTMOTOR KAP SERVOMOTOR	CAPOT SERVOMOTEUR CUBIERTA SERVOMOTOR	COPERCHIO SERVOMOTORE	1
1170	65312555	MOTOR 3,0KW 230/400V D28 IE3 SCHWARZ MOTOR 3,0KW 230/400V D28 IE3 ZWART	MOTEUR 3,0KW 230/400V D28 IE3 NOIR MOTOR 3,0KW 230/400V D28 IE3 NEGRO	MOTORE 3,0KW 230/400V D28 IE3 NERO	1
	65312556	MOTOR 4,0KW 400/690V D28 IE3 SCHWARZ MOTOR 4,0KW 400/690V D28 IE3 ZWART	MOTEUR 4,0KW 400/690V D28 IE3 NOIR MOTOR 4,0KW 400/690V D28 IE3 NEGRO	MOTORE 4,0KW 400/690V D28 IE3 NERO	1
	65312558	MOTOR 7,5KW 400/690V D38 IE3 SCHWARZ MOTOR 7,5KW 400/690V D38 IE3 ZWART	MOTEUR 7,5KW 400/690V D38 IE3 NOIR MOTOR 7,5KW 400/690V D38 IE3 NEGRO	MOTORE 7,5KW 400/690V D38 IE3 NERO	1
	65326333	MOTOR 11KW 400/690V D42 IE3 ELV SCHWARZ MOTOR 11KW 400/690V D42 IE3 ELV ZWART	MOTEUR 11KW 400/690V D42 IE3 ELV NOIR MOTOR 11KW 400/690V D42 IE3 ELV NEGRO	MOTORE 11KW 400/690V D42 IE3 ELV NERO	1
1200	65312328	LUFTKLAPPE BG COMPLETE LUCHTKLEP	VOLET D'AIR EQUIPE VÁLVULA DE AIRE EQUIPADA	SERRANDA DELL'ARIA EQUIPAGGIATA	1
1201	65312331	ANTRIEBHEBEL/LUFTKLAPPE AANDRIJFHENDEL/LUCHTKLEP	LEVIER ENTRAINEMENT/VOLET AIR PALANCA DE ACCIONAMIENTO/VÁLVULA AIRE	LEVA AZIONAMENTO/SERRANDA DELL'ARIA	1
1202	65312330	GELENKSTANGE D10X145 M6 LUFTKLAPPE DRIJFSTANG D10X145 M6 LUCHTKLEP	BIELLETTE D10X145 M6 VOLET AIR BIELETA D10X145 M6 VALVULA AIRE	BIELLA D10X145 M6 SERRANDA ARIA	1
1203	65312329	WELLE / LUFTKLAPPE D34/25X100 FLAT L55 AS / LUCHTKLEP D34/25X100 FLAT L55	AXE / VOLET AIR D34/25X100 PLAT L55 EJE / VALVULA AIRE D34/25X100 FLAT L55	PERNO/SERRANDA ARIA D34/25X100 PIATO L55	1
1204	65312459	WELLE / LUFTKLAPPE D34/25X100 M.ZEIGER AS / LUCHTKLEP D34/25X100 MET WIJZER	AXE / VOLET AIR D34/25X100 AV.INDEX EJE / VALVULA AIRE D34/25X100 C. PUNTERO	PERNO/SERRANDA ARIA D34/25X100 C.INDICE	1
1206	65310724	ZÜNDKABEL D4/SAT 72750 ONTSTEKINGSKABEL D4/SAT 72750	CABLE ALLUMAGE D4/SAT 72750 CABLE ENCENDIDO D4/SAT 72750	CAVO ACCENSIONE D4/SAT 72750	1
1510	65312340	BRENNERSCHRANKHAUBE KAP ELEKTRISCHE KAST	CAPOT ARMOIRE ELEC. CUBIERTA ARMARIO ELÉCTRICO	COPERCHIO ARMADIO ELETTRICO	1

		DE	FR	IT	X
		NL	ES		
1512	65312338	BLINDDECKEL/REGLER 92X45 IP54 AFSLUITER/REGELAAR 92X45 IP54	OBTURATEUR REGULATEUR 92X45 IP54 CONJUNTO/REGULADOR 92X45 IP54	OTTURATORE/REGOLATORE 92X45 IP54	1
1520	65326869	ANZEIGE FÜR FEUERUNGSAUTOMAT BT3XX DISPLAY VOOR BRANDERAUTOMAAT BT3XX	AFFICHEUR POUR COFFRET BT3XX PANTALLA PARA PROGRAMADOR BT3XX	DISPLAY PER APPARECCHIATURA BT3XX	1
1525	65311364	DICHTUNG/ANZEIGE 152/140X80/70X2 PAKKING/DISPLAY 152/140X80/70X2	JOINT/AFFICHEUR 152/140X80/70X2 JUNTA/PANTALLA 152/140X80/70X2	GUARNIZIONE/DISPLAY 152/140X80/70X2	1
1530	65312451	FEUERUNGSAUTOMAT BT320 G-E, G-EU3, G-EF3 BRANDERAUTOMAAT BT320 G-E, G-EU3, G-EF3	COFFRET BT320 G-E, G-EU3, G-EF3 PROGRAMADOR BT320 G-E, G-EU3, G-EF3	APPARECCHIATURA BT320 G-E, G-EU3, G-EF3	1
1580	65311776	MOTORSCHUTZSCHALTER 7,5kW GV2ME20 VERMOGENSCHAKEL. MOTOR 7,5 kW GV2ME20	DISJONCTEUR MOTEUR 7,5 kW GV2ME20 INTERRUPTOR MOTOR 7,5 kW GV2ME20	INTERRUTTORE MOTORE 7,5 kW GV2ME20	1
	65311794	MOTORSCHUTZSCHALTER 3-4KW GV2ME14 VERMOGENSCHAKEL. MOTOR 3-4KW GV2ME14	DISJONCTEUR MOTEUR 3-4KW GV2ME14 INTERRUPTOR MOTOR 3-4KW GV2ME14	INTERRUTTORE MOTORE 3-4KW GV2ME14	1
	65312018	MOTORSCHUTZSCHALTER 11KW GV2ME22 VERMOGENSCHAKEL. MOTOR 11KW GV2ME22	DISJONCTEUR MOTEUR 11KW GV2ME22 INTERRUPTOR MOTOR 11KW GV2ME22	INTERRUTTORE MOTORE 11KW GV2ME22	1
1585	65311795	HILFSSCHALTER GVAE11 HULPSCHAKELAAR GVAE11	CONTACT AUXILIAIRE GVAE11 INTERRUPTOR AUXILIAR GVAE11	INTERRUTTORE AUSILIARIO GVAE11	1
1595	65311793	MOTORSCHUTZSCHALTER SCH D 3-4KW LC1D09P7 CONTACT MOTOR SCH D 3-4KW LC1D09P7	CONTACTEUR MOTEUR SCH D 3-4KW LC1D09P7 CONTACTOR DE MOTOR SCH D 3-4KW LC1D09P7	CONTATTORE MOTORE SCH D 3-4KW LC1D09P7	1
	65311947	MOTORSCHUTZSCHALTER SCH D 3-7,5KW LC1D18P7 CONTACT MOTOR SCH D 3-7,5KW LC1D18P7	CONTACTEUR MOTEUR SCH D 3-7,5KW LC1D18P7 CONTACTOR MOTOR SCH D 3-7,5KW LC1D18P7	CONTATTORE MOTORE SCH D 3-7,5KW LC1D18P7	1
	65312015	MOTORSTARTER Y/D 11KW LC3D12AP7 MOTOR STARTER Y/D 11KW LC3D12AP7	DEMARREUR MOT. ET /TRI. 11KW LC3D12AP7 ARRANQUE MOTOR Y/D 11KW LC3D12AP7	AVVIATORE STELLA/TRIA. 11KW LC3D12AP7	1
1600	65312334	BRENNERSCHRANK KONTROLLEUCHE CONTROLELAMPJE ELEKTRISCHE KAST	VOYANT ARMOIRE ELECTRIQUE TESTIGO ARMARIO ELÉCTRICO	SPIA ARMADIO ELETTRICO	1
1601	65312335	2-STELL. KIPPSCHALTER SCHAKELAAR 2 POS.	INTERRUPTEUR 2 POS. INTERRUPTOR 2 POS.	INTERRUTTORE 2 POS.	1
1602	65312336	3-STELL. KIPPSCHALTER SCHAKELAAR 3 POS.	INTERRUPTEUR 3 POS. INTERRUPTOR 3 POS.	INTERRUTTORE 3 POS.	1
1604	65312337	2-STELL. DRUCKSCHALTER MOMENTANE SCHAKELAAR 2 POS.	INTERRUPTEUR 2 POS. INSTANTANE INTERRUPTOR DE ACCIÓN INSTANTÁN. 2 POS.	INTERRUTTORE 2 POS. INSTANTANEA	1
1605	65312341	BLINDDECKEL/BRENNERSCHRANKHAUBE AFSLUITER/KAP ELEKTRISCHE KAST	OBTURATEUR/ARMOIRE ELECTRIQUE CONJUNTO/CUBIERTA ARMARIO ELÉCTRICO	OTTURATORE/COPERCHIO ARMADIO ELETTR.	1
1610	65311758	KABELVERSCHRAUBUNG M20 PAKKINGBUS M20	PRESSE-ETOUPE M20 PRENSAESTOPAS M20	PREMISTOPPA M20	1
1611	65311451	KABELVERSCHRAUBUNG M16 PAKKINGBUS M16	PRESSE-ETOUPE M16 PRENSAESTOPAS M16	PREMISTOPPA M16	1
1700	65311446	WAG BETAETIGUNGSWERKZEUG 2009-309 BEDIENINGSGEREEDSCHAP WAG 2009-309	OUTIL DE MANOEUVRE WAG 2009-309 HERRAMIENTA D.ACCIONAM. WAG 2009-309	DISPOSITIVO DI MANOVRA WAG 2009-309	1
2040	65311875	ZUENDELEKTRODE D9X50 D3X35 90+60°L150D4 ONTSTEKINGSPEN NEXTRON GAS D9X50,L150D4	ELECTRODE ALLUM.D9X50 D3X35 90+60°L150D4 ELECTRODO ENCEN.D9X50 D3X35 90+60°L150D4	ELETTR.ACCENSIO.D9X50 D3X35 90+60°L150D4	1
2047	65312834	ZUENDELEKTRODE HALTER ONTSTEKINGSPEN STEUN	SUPPORT ELECTRODE ALLUMAGE SOPORTE ELECTRODO ENCENDIDO	SUPPORTO ELETTRODO ACCENSIONE	1
2070	65313731	KABEL FZLSI 1X1,00Q-CU/SILIKON ONTSTEKINGSKAB.FZLSI 1X1,00Q-CU/SILICONE	CABLE ALLUMAGE FZLSI 1X1,00Q-CU/SILICONE CABLE ENCENDI. FZLSI 1X1,00Q-CU/SILICONE	CAVO ACCENSIO. FZLSI 1X1,00Q-CU/SILICONE	1
2072	3333260384	ENTSTOERMUFFE HE1 1KOHM D10X52.5 ONTSTOORST.ONTSTEKINGSKAB.1KOHM D10X52.5	RESISTANCE ANTI PARASITE 1KOHM D10X52.5 RESISTENCIA CONTROL RUIDO 1KOHM D10X52.5	RESISTORE ANTIRADIODIST. 1KOHM D10X52.5	1
2100	65312824	BRENNERROHR D262,5/220/171 L450 F3 BRANDERBUIS D262,5/220/171 L450 F3	TUBE DE FLAMME D262,5/220/171 L450 F3 TUBO DE LLAMA D262,5/220/171 L450 F3	BOCCAGLIO D262,5/220/171 L450 F3	1
	65312825	BRENNERROHR D262,5/220/171 L570 F3 BRANDERBUIS D262,5/220/171 L570 F3	TUBE DE FLAMME D262,5/220/171 L570 F3 TUBO DE LLAMA D262,5/220/171 L570 F3	BOCCAGLIO D262,5/220/171 L570 F3	1
	65312826	BRENNERROHR D262,5/220/171 L690 F3 BRANDERBUIS D262,5/220/171 L690 F3	TUBE DE FLAMME D262,5/220/171 L690 F3 TUBO DE LLAMA D262,5/220/171 L690 F3	BOCCAGLIO D262,5/220/171 L690 F3	1
	65312827	BRENNERROHR D323,5/240 L470 F3 BRANDERBUIS D323,5/240 L470 F3	TUBE DE FLAMME D323,5/240 L470 F3 TUBO DE LLAMA D323,5/240 L470 F3	BOCCAGLIO D323,5/240 L470 F3	1
	65312828	BRENNERROHR D323,5/240 L600 F3 BRANDERBUIS D323,5/240 L600 F3	TUBE DE FLAMME D323,5/240 L600 F3 TUBO DE LLAMA D323,5/240 L600 F3	BOCCAGLIO D323,5/240 L600 F3	1
	65312829	BRENNERROHR D323,5/240 L730 F3 BRANDERBUIS D323,5/240 L730 F3	TUBE DE FLAMME D323,5/240 L730 F3 TUBO DE LLAMA D323,5/240 L730 F3	BOCCAGLIO D323,5/240 L730 F3	1
	65312830	BRENNERROHR D323,5/268 L470 F3 BRANDERBUIS D323,5/268 L470 F3	TUBE DE FLAMME D323,5/268 L470 F3 TUBO DE LLAMA D323,5/268 L470 F3	BOCCAGLIO D323,5/268 L470 F3	1
	65312831	BRENNERROHR D323,5/368 L600 F3 BRANDERBUIS D323,5/368 L600 F3	TUBE DE FLAMME D323,5/368 L600 F3 TUBO DE LLAMA D323,5/368 L600 F3	BOCCAGLIO D323,5/368 L600 F3	1
	65312832	BRENNERROHR D323,5/368 L730 F3 BRANDERBUIS D323,5/368 L730 F3	TUBE DE FLAMME D323,5/368 L730 F3 TUBO DE LLAMA D323,5/368 L730 F3	BOCCAGLIO D323,5/368 L730 F3	1
2105	65311455	DRALLKOERPER D190/170/84X235 10SL WERVELKRANS D190/170/84X235 10SL	TURBULATEUR D190/170/84X235 10SL TURBULENCIADOR D190/170/84X235 10SL	TURBULATORE D190/170/84X235 10SL	1
	65311464	DRALLKOERPER D210/190/101X300 10SL WERVELKRANS D210/190/101X300 10SL	TURBULATEUR D210/190/101X300 10SL TURBULENCIADOR D210/190/101X300 10SL	TURBULATORE D210/190/101X300 10SL	1
	65311543	DRALLKOERPER D240/214/101X325 10SL WERVELKRANS D240/214/101X325 10SL	TURBULATEUR D240/214/101X325 10SL TURBULENCIADOR D240/214/101X325 10SL	TURBULATORE D240/214/101X325 10SL	1
2203	65311456	GASDUESE D18/16X70 135° GAS NOZZLE D18/16X70 135°	DIFFUSEUR GAZ D18/16X70 135° DIFUSOR GAS D18/16X70 135°	INIETTORE GAS D18/16X70 135°	1

			DE NL	FR ES	IT	
			GASDUESE D25/17X82 140° GAS NOZZLE D25/17X82 140°	DIFFUSEUR GAZ D25/17X82 140° DIFUSOR GAS D25/17X82 140°	INIETTORE GAS D25/17X82 140°	1
			GASDUESE D25/20X95 135° GAS NOZZLE D25/20X95 135°	DIFFUSEUR GAZ D25/20X95 135° DIFUSOR GAS D25/20X95 135°	INIETTORE GAS D25/20X95 135°	1
2204	65311466		STABILISIERUNGSDUESE D20/16 GELEIDER GAS VERSPREIDER D20/16	INJECTEUR STABILISATEUR GAZ D20/16 DIFUSOR ESTABILIZADOR DE GAS D20/16	DIFFUSORE STABILIZZATORE GAS D20/16	1
	65311468		STABILISIERUNGSDUESE D20/17 GELEIDER GAS VERSPREIDER D20/17	INJECTEUR STABILISATEUR GAZ D20/17 DIFUSOR ESTABILIZADOR DE GAS D20/17	DIFFUSORE STABILIZZATORE GAS D20/17	1
	65311470		STABILISIERUNGSDUESE D18/15 GELEIDER GAS VERSPREIDER D18/15	INJECTEUR STABILISATEUR GAZ D18/15 DIFUSOR ESTABILIZADOR DE GAS D18/15	DIFFUSORE STABILIZZATORE GAS D18/15	1
2206	65311354		DECKBLECH FÜR DRALLKÖRPER D85/144 LUCHT DISTRIBUTOR/WERVELKRANS D85/144	REPARTITEUR AIR/TURBULATEUR D85/144 DISTRIBUIDOR DE AIRE/TURBULENC. D85/144	RIPARTITORE ARIA/TURBULATORE D85/144	1
2207	65311493		GASKOPF MIT INNENELEKTR. LG800 GASTOEVOERBUIS LG800	TUBE AMENEE GAZ LG800 TUBO DE CONDUCCIÓN DEL GAS LG800	TUBO ADDUZIONE GAS LG800	1
	65311504		GASKOPF MIT INNENELEKTRODE LG560 GASTOEVOERBUIS LG560	TUBE AMENEE GAZ LG560 TUBO DE CONDUCCIÓN DEL GAS LG560	TUBO ADDUZIONE GAS LG560	1
	65311505		GASKOPF MIT INNENELEKTR. LG680 GASTOEVOERBUIS LG680	TUBE AMENEE GAZ LG680 TUBO DE CONDUCCIÓN DEL GAS LG680	TUBO ADDUZIONE GAS LG680	1
	65311519		GASKOPF LG590 GASTOEVOERBUIS LG590	TUBE AMENEE GAZ LG590 TUBO DE CONDUCCIÓN DEL GAS LG590	TUBO ADDUZIONE GAS LG590	1
	65311521		GASKOPF LG710 GASTOEVOERBUIS LG710	TUBE AMENEE GAZ LG710 TUBO DE CONDUCCIÓN DEL GAS LG710	TUBO ADDUZIONE GAS LG710	1
	65311523		GASKOPF LG830 GASTOEVOERBUIS LG830	TUBE AMENEE GAZ LG830 TUBO DE CONDUCCIÓN DEL GAS LG830	TUBO ADDUZIONE GAS LG830	1
2208	65311496		O-RING 199D117,48X5,33 NBR O-RING 199D117,48X5,33 NBR	O-RING 199D117,48X5,33 NBR O-RING 199D117,48X5,33 NBR	O-RING 199D117,48X5,33 NBR	1
	65311807		O-RING 217D142,88X5,33 NBR O-RING 217D142,88X5,33 NBR	O-RING 217D142,88X5,33 NBR O-RING 217D142,88X5,33 NBR	O-RING 217D142,88X5,33 NBR	1
2209	65311492		ADAPTERPLATTE FÜR GASKOPF ADAPTERPLAAT/GAS VERSTUIVEREENHEID	PLAQUE ADAPTATION/TETE GAZ PLACA DE ADAPTACIÓN/DIFUSOR DE GAS	PIASTRA DI ADATTAMENTO/TESTA GAS	1
	65311510		ADAPTERPLATTE FÜR GASKOPF ADAPTERPLAAT/GAS VERSTUIVEREENHEID	PLAQUE ADAPTATION/TETE GAZ PLACA DE ADAPTACIÓN/DIFUSOR DE GAS	PIASTRA DI ADATTAMENTO/TESTA GAS	1
2210	65311491		O-RING 6387D97,79X5,33 NBR O-RING 6387D97,79X5,33 NBR	O-RING 6387D97,79X5,33 NBR O-RING 6387D97,79X5,33 NBR	O-RING 6387D97,79X5,33 NBR	1
2211	65312823		POSITIONIERUNGSPLATTE FÜR F3 GASKOPF PLAATSINGSSJABLOON GASKOP F3	PLAQUE DE POSITIONNEM. POUR TETE GAZ F3 PLACA DE POSICIONAMIENTO CABEZA GAS F3	PIASTRA DI POSIZIONAMENTO TESTA GAS F3	1
3005	65321049		DICHTUNG/GASSTRECKE D125/90X3 PAKKING/GASTRAIN D125/90X3	JOINT/RAMPE GAZ D125/90X3 JUNTA/GASTRAIN D125/90X3	GUARNIZIONE/RAMPA GAS D125/90X3	1
3010	65311488		GASANSCHLUSSST. DN65-R2Z 2G1/4 PN16 GASAANSLUITBUIS DN65-R2Z 2G1/4 PN16	COLLECTEUR DN65-R2Z 2G1/4 PN16 COLECTOR DN65-R2Z 2G1/4 PN16	COLLETTORE DN65-R2Z 2G1/4 PN16	1
	65311503		GASANSCHLUSSST. DN65-R1 1/2Z 2G1/4 PN16 GASAANSLUITBUIS DN65-R1 1/2Z 2G1/4 PN16	COLLECTEUR DN65-R1 1/2Z 2G1/4 PN16 COLECTOR DN65-R1 1/2Z 2G1/4 PN16	COLLETTORE DN65-R1 1/2Z 2G1/4 PN16	1
3020	65311606		GERADE-EINSCHRAUBVERSCHR.P-GEV 8LR-WD-VI RECHTE AANSLUITING P-GEV 8LR-WD-VI	RACCORD DROIT P-GEV 8LR-WD-VI RACOR RECTO P-GEV 8LR-WD-VI	RACCORDO DESTRO P-GEV 8LR-WD-VI	1
3030	65311604		EINSTELLB.W-Verschraubung P-EWV 8-L GEBOGEN AANSLUITING P-EWV 8-L	RACCORD COUDE P-EWV 8-L RACOR ACODADO P-EWV 8-L	RACCORDO A GOMITO P-EWV 8-L	1
3040	65311579		MESSNIPPEL R1/4Z M.DICHTUNG MEETNIPPEL R1/4Z+AFDICHTING	PRISE DE PRESSION R1/4Z+JOINT TOMA DE PRESIÓN R1/4Z+JUNTA	PRESA DI PRESSIONE R1/4Z+GUARNIZIONE	1
3060	65311580		GAS-MV VGD 20.4011 R1 1/2Z X 265 MM GASKLEP VGD20 4011 RP1"1/2	VANNE GAZ VGD20 4011 RP1"1/2 VALVULA GAS VGD20 4011 RP1"1/2	VALVOLA GAS VGD20 4011 RP1"1/2	1
	65311581		GAS-MV VGD 20.5011 R2Z X 265 MM GASKLEP VGD20 5011 RP2"	VANNE GAZ VGD20 5011 RP2" VALVULA GAS VGD20 5011 RP2"	VALVOLA GAS VGD20 5011 RP2"	1
3070	65107100		STELLANTRIEB SKP25.003E2 O. ENDSCHALTER REGELMOT. GAS SKP25.003E2 Z.EINDSCHALTE	SERVOMOT. GAZ SKP25.003E2 S.FIN COURSE SERVOMOTOR SKP25.003 E2 SIN FIN CARRERA	SERVOMOT. GAS SKP25.003E2 S.FINE CORSA	1
3080	65311585		KABEL ANSCHLUSS AGA 62 STCK DIN L270 KABEL CONNECT AGA 62 STCK DIN L270	CABLE CONNECT AGA 62 PRISE DIN L270 CABLE DE CONEXION AGA 62 TOMA DIN L270	CAVO COLLEGA AGA 62 PRESA DIN L270	1
3090	1478836180		STELLANTRIEB SKP 15.000E2 O. ENDSCHALTER REGELMOTOR GAS SKP15.000E2 Z.EINDSCHALTE	SERVOMOT.GAZ SKP15.000E2 SANS FIN COURSE SERVOMO. GAS SKP15.000E2 SIN FIN CARRERA	SERVOMOT.GAS SKP15.000E2 SENZ.FINE CORSA	1
3110	65311377		FLANSCH AGF10.50 RP2 FLENS AGF10.50 RP2	BRIDE AGF10.50 RP2 BRIDA AGF10.50 RP2	FLANGIA AGF10.50 RP2	1
	65313107		FLANSCH AGF10 RP1 1/2 MONTAGEFLENS AGF 10 40 RP1 1/2"	BRIDE AGF10 RP1 1/2 BRIDA AGF10 RP1 1/2	FLANGIA AGF10 RP1 1/2	1
3120	13010091		GASDRUCKWACHTER GW 500 A5 100-500MB GASDRUKSCHAKELAAR GW 500 A5 30-500MB	MANOSTAT GAZ GW 500 A5 100-500MB PRESOSTATO GAS GW 500 A5 30-500MB	PRESSOSTATO GAS GW 500 A5 100-500MB	1
	65311597		DRUCKWAECHTER GW 150 A6 M. STECKERANSCHL GASDRUKSCHAKELAAR GW 150 A6 10-150MB DIN	MANOSTAT GAZ GW 150 A6 10-150MB DIN PRESOSTATO GAS GW 150 A6 10-150MB DIN	PRESSOSTATO GAS GW 150 A6 10-150MB DIN	1
3130	65311586		LEITUNGSDOSE VENTILANTRIEB AGA64 STEKKER VROUWELIJK AGA64	PRISE FEMELLE AGA64 TOMA HEMBRA AGA64	PRESA FEMMINA AGA64	1
3140	65311615		GERAETESTECKDOSE GDMW 30-11 DF STEKKER GDMW 30-11 DF	PRISE GDMW 30-11 DF TOMA GDMW 30-11 DF	PRESA GDMW 30-11 DF	1
3300	65311458		GASFILTER GF80M-1212-A-1 RP1 1/2 1BAR GASFILTER GF80M-1212-A-1 RP1 1/2 1BAR	FILTRE GAZ GF80M-1212-A-1 RP1 1/2 1BAR FILTRO GAS GF80M-1212-A-1 RP1 1/2 1BAR	FILTRO GAS GF80M-1212-A-1 RP1 1/2 1BAR	1

		DE		FR		IT		
		NL		ES				
	65311459	GASFILTER GF80M-1616-A-1 RP2 1BAR GASFILTER GF80M-1616-A-1 RP2 1BAR	FILTRE GAZ GF80M-1616-A-1 RP2 1BAR FILTRO GAS GF80M-1616-A-1 RP2 1BAR	FILTRO GAS GF80M-1616-A-1 RP2 1BAR				1
	65311460	GASFILTER GF65MF-2020-A-1 DN65 1BAR GASFILTER GF65MF-2020-A-1 DN65 1BAR	FILTRE GAZ GF65MF-2020-A-1 DN65 1BAR FILTRO GAS GF65MF-2020-A-1 DN65 1BAR	FILTRO GAS GF65MF-2020-A-1 DN65 1BAR				1
	65311461	GASFILTER GF80MF-2424-A-1 DN80 1BAR GASFILTER GF80MF-2424-A-1 DN80 1BAR	FILTRE GAZ GF80MF-2424-A-1 DN80 1BAR FILTRO GAS GF80MF-2424-A-1 DN80 1BAR	FILTRO GAS GF80MF-2424-A-1 DN80 1BAR				1
3301	65311361	ERSATZTEILSET F.GASFILTER GF 80M FILTERELEMENT GF 80M	ELEMENT FILTRANT GF 80M ELEMENTO FILTRANTE GF 80M	ELEMENTO FILTRANTE GF 80M				1
	65311723	ERSATZTEILSET F.GASFILTER GF 65MF FILTERELEMENT GF65MF	ELEMENT FILTRANT GF65MF ELEMENTO FILTRANTE GF65MF	ELEMENTO FILTRANTE GF65MF				1
	65311888	ERSATZTEILSET F.GASFILTER GF 80MF FILTERELEMENT GF80MF	ELEMENT FILTRANT GF80MF ELEMENTO FILTRANTE GF80MF	ELEMENTO FILTRANTE GF80MF				1
3505	65321049	DICHTUNG/GASSTRECKE D125/90X3 PAKKING/GASTRAIN D125/90X3	JOINT/RAMPE GAZ D125/90X3 JUNTA/GASTRAIN D125/90X3	GUARNIZIONE/RAMPA GAS D125/90X3				1
3510	65311836	GASANSCHLUSSSTUECK DN65 RP1 1/2Z PN16 GASAANSLUITBUIS DN65-R1 1/2Z PN16	COLLECTEUR DN65-R1 1/2Z PN16 COLECTOR DN65-R1 1/2Z PN16	COLLETTORE DN65-R1 1/2Z PN16				1
	65311837	GASANSCHLUSSSTUECK DN65 RP2Z PN16 GASAANSLUITBUIS DN65-R2Z PN16	COLLECTEUR DN65-R2Z PN16 COLECTOR DN65-R2Z PN16	COLLETTORE DN65-R2Z PN16				1
3580	65311838	GASVENTIL MBC-300-SE S82 5-80MBAR GASKLEP MBC300 SE S82 5-80 MBAR	VANNE GAZ MBC300 SE S82 5-80MBAR VALVULA GAS MBC300SE S82 5-80MBA	VALVOLA GAS MBC300SE S82 5-80MBA				1
	65311839	GAS-DOPPEL-MV MBC-700-SE S82 5-80 MBAR GASKLEP MBC700 SE S82 RP1"1/4 5-80 MBAR	VANNE GAZ MBC700 SE S82 RP1"1/4 5-80MBA VALVULA GAS MBC700SES82 RP1"1/4 5-80MBA	VALVOLA GAS MBC700SES82 RP1"1/4 5-80MBA				1
	65311840	GASVENTIL MBC-1200-SE S82 RP2Z 5-80MBAR GASKLEP MBC1200 SE S82 RP2" 5-80 MBAR	VANNE GAZ MBC1200 SE S82 RP2" 5-80 MBAR VALVULA GAS MBC1200 SE S82 RP2" 5-80MBA	VALVOLA GAS MBC1200 SE S82 RP2" 5-80MBA				1
3620	65311841	ANSCHLUSSFLANSCH MBC-300 RP1 1/2Z FLENS MBC300 RP1 1/2	BRIDE MBC300 RP1 1/2 BRIDA MBC300 RP1 1/2	FLANGIA MBC300 RP1 1/2				1
	65313021	FLANSCH ZU DMV-D R1 1/2Z O.MESSNIPPEL FLENS MBC700/1200 RP1 1/2	BRIDE MBC700/1200 RP1 1/2 BRIDA MBC700/1200 RP1 1/2	FLANGIA MBC700/1200 RP1 1/2				1
	65313022	FLANSCH ZU DMV-D R 2Z O.MESSNIPPEL MONTAGE FLENS MBC-7/1200 DMV512/520 2"	BRIDE MBC700/1200 RP2 BRIDA MBC700/1200 RP2	FLANGIA MBC700/1200 RP2				1
3640	13010091	GASDRUCKWACHTER GW 500 A5 100-500MB GASDRUKSCHAKELAAR GW 500 A5 30-500MB	MANOSTAT GAZ GW 500 A5 100-500MB PRESOSTATO GAS GW 500 A5 30-500MB	PRESSOSTATO GAS GW 500 A5 100-500MB				1
	65311598	DRUCKWAECHTER GW 150 A5 M. STECKERANSCHL. GASDRUKSCHAKELAAR GW 150 A5 30-150MB	MANOSTAT GAZ GW 150 A5 30-150MB PRESOSTATO GAS GW 150 A5 30-150MB	PRESSOSTATO GAS GW 150 A5 30-150MB				1
3650	65311615	GERAETESTECKDOSE GDMW 30-11 DF STEKKER GDMW 30-11 DF	PRISE GDMW 30-11 DF TOMA GDMW 30-11 DF	PRESA GDMW 30-11 DF				1
3700	13022415	FILTEREINSATZ F. GASVENTIL MBC300 ZEEFFILTER/GASKLEP MBC300	FILTRE TAMIS/VANNE GAZ MBC300 FILTRO DE TAMIZ/VÁLVULA DE GAS MBC300	SET FILTRI/VALVOLA GAS MBC300				1
	13022416	FILTEREINSATZ F.GASVENT.MBC-700 ZEEFFILTER/GASKLEP MBC700	FILTRE TAMIS/VANNE GAZ MBC700 FILTRO DE TAMIZ/VÁLVULA DE GAS MBC700	SET FILTRI/VALVOLA GAS MBC700				1
	13022417	FILTEREINSATZ F.GASVENT.MBC-1200 ZEEFFILTER/GASKLEP MBC1200	FILTRE TAMIS/VANNE GAZ MBC1200 FILTRO DE TAMIZ/VÁLVULA DE GAS MBC1200	SET FILTRI/VALVOLA GAS MBC1200				1
3800	65311458	GASFILTER GF80M-1212-A-1 RP1 1/2 1BAR GASFILTER GF80M-1212-A-1 RP1 1/2 1BAR	FILTRE GAZ GF80M-1212-A-1 RP1 1/2 1BAR FILTRO GAS GF80M-1212-A-1 RP1 1/2 1BAR	FILTRO GAS GF80M-1212-A-1 RP1 1/2 1BAR				1
	65311459	GASFILTER GF80M-1616-A-1 RP2 1BAR GASFILTER GF80M-1616-A-1 RP2 1BAR	FILTRE GAZ GF80M-1616-A-1 RP2 1BAR FILTRO GAS GF80M-1616-A-1 RP2 1BAR	FILTRO GAS GF80M-1616-A-1 RP2 1BAR				1
	65311460	GASFILTER GF65MF-2020-A-1 DN65 1BAR GASFILTER GF65MF-2020-A-1 DN65 1BAR	FILTRE GAZ GF65MF-2020-A-1 DN65 1BAR FILTRO GAS GF65MF-2020-A-1 DN65 1BAR	FILTRO GAS GF65MF-2020-A-1 DN65 1BAR				1
	65311461	GASFILTER GF80MF-2424-A-1 DN80 1BAR GASFILTER GF80MF-2424-A-1 DN80 1BAR	FILTRE GAZ GF80MF-2424-A-1 DN80 1BAR FILTRO GAS GF80MF-2424-A-1 DN80 1BAR	FILTRO GAS GF80MF-2424-A-1 DN80 1BAR				1
3801	65311361	ERSATZTEILSET F.GASFILTER GF 80M FILTERELEMENT GF 80M	ELEMENT FILTRANT GF 80M ELEMENTO FILTRANTE GF 80M	ELEMENTO FILTRANTE GF 80M				1
	65311723	ERSATZTEILSET F.GASFILTER GF 65MF FILTERELEMENT GF65MF	ELEMENT FILTRANT GF65MF ELEMENTO FILTRANTE GF65MF	ELEMENTO FILTRANTE GF65MF				1
	65311888	ERSATZTEILSET F.GASFILTER GF 80MF FILTERELEMENT GF80MF	ELEMENT FILTRANT GF80MF ELEMENTO FILTRANTE GF80MF	ELEMENTO FILTRANTE GF80MF				1
4005	65321049	DICHTUNG/GASSTRECKE D125/90X3 PAKKING/GASTRAIN D125/90X3	JOINT/RAMPE GAZ D125/90X3 JUNTA/GASTRAIN D125/90X3	GUARNIZIONE/RAMPA GAS D125/90X3				1
4010	65311494	GASANSCHLUSSST. DN65-DN80 PN16 GASAANSLUITBUIS DN65-DN80 PN16	COLLECTEUR DN65-DN80 PN16 COLECTOR DN65-DN80 PN16	COLLETTORE DN65-DN80 PN16				1
	65311506	GASANSCHLUSSST. DN65-DN65 PN16 GASAANSLUITBUIS DN65-DN65 PN16	COLLECTEUR DN65-DN65 PN16 COLECTOR DN65-DN65 PN16	COLLETTORE DN65-DN65 PN16				1
	65311508	GASANSCHLUSSST. DN65-DN100 PN16 GASAANSLUITBUIS DN65-DN100 PN16	COLLECTEUR DN65-DN100 PN16 COLECTOR DN65-DN100 PN16	COLLETTORE DN65-DN100 PN16				1
	65311509	GASANSCHLUSSST. DN65-DN125 PN16 GASAANSLUITBUIS DN65-DN125 PN16	COLLECTEUR DN65-DN125 PN16 COLECTOR DN65-DN125 PN16	COLLETTORE DN65-DN125 PN16				1
4020	65311601	GERADE-EINSCHRAUBSTUT.P-EGES 12L/R 1/4WD RECHTE AANSLUITING P-EGES 12L/R 1/4WD	RACCORD DROIT P-EGES 12L/R 1/4WD RACOR RECTO P-EGES 12L/R 1/4WD	RACCORDO DESTRO P-EGES 12L/R 1/4WD				1
4030	65311605	KREUZVERSCHR.P-KV12L AANSLUITING P-KV12L	RACCORD P-KV12L RACOR P-KV12L	RACCORDO P-KV12L				1
4040	65311603	EINSTELLBARE W-VERSCHR.P-EWS 12 L-SS GEBOGEN AANSLUITING P-EWS 12 L-SS	RACCORD COUDE P-EWS 12 L-SS RACOR ACODADO P-EWS 12 L-SS	RACCORDO A GOMITO P-EWS 12 L-SS				1

					
	XXXXXXXX	DE NL	FR ES	IT	X
4060	65311607	STOPFEN D15/10X21 VSD 12L/S O.M.MB STOP D15/10X21 VSD 12L/S O.M.MB	BOUCHON D15/10X21 VSD 12L/S O.M.MB TAPÓN D15/10X21 VSD 12L/S O.M.MB	TAPPO D15/10X21 VSD 12L/S O.M.MB	1
4080	65311453	GAS-MV VGD 40.125 DN125 PN16 X 400 MM GASKLEP VGD40 125 DN125	VANNE GAZ VGD40 125 DN125 VALVULA GAS VGD40 125 DN125	VALVOLA GAS VGD40 125 DN125	1
	65311583	GAS-MV VGD 40.080 DN80 X 310MM GASKLEP VGD40 080 DN80	VANNE GAZ VGD40 080 DN80 VALVULA GAS VGD40 080 DN80	VALVOLA GAS VGD40 080 DN80	1
	65311590	GAS-MV VGD 40.100 DN100 X 350 MM GDV VGD40 100, DN100X350MM	VANNE GAZ VGD40 100 DN100 VALVULA GAS VGD40 100 DN100	VALVOLA GAS VGD40 100 DN100	1
	65323661	GAS-MV VGD 40.065 GDV VGD 40 065 MAX	VANNE GAZ VGD40 065 DN65 VALVULA GAS VGD40 065 DN65	VALVOLA GAS VGD40 065 DN65	1
4090	65107100	STELLANTRIEB SKP25.003E2 O. ENDSCHALTER REGELMOT. GAS SKP25.003E2 Z.EINDSCHALTE	SERVOMOT. GAZ SKP25.003E2 S.FIN COURSE SERVOMOTOR SKP25.003 E2 SIN FIN CARRERA	SERVOMOT. GAS SKP25.003E2 S.FINE CORSA	1
4100	65311585	KABEL ANSCHLUSS AGA 62 STCK DIN L270 KABEL CONNECT AGA 62 STCK DIN L270	CABLE CONNECT AGA 62 PRISE DIN L270 CABLE DE CONEXION AGA 62 TOMA DIN L270	CAVO COLLEGA AGA 62 PRESA DIN L270	1
4110	1478836180	STELLANTRIEB SKP 15.000E2 O. ENDSCHALTER REGELMOTOR GAS SKP15.000E2 Z.EINDSCHALTE	SERVOMOT.GAZ SKP15.000E2 SANS FIN COURSE SERVOMO. GAS SKP15.000E2 SIN FIN CARRERA	SERVOMOT.GAS SKP15.000E2 SENZ.FINE CORSA	1
4120	65311342	DICHTUNG/GASSTRECKE D218/169X2 DN150 PAKKING/GASSTRAAT D218/169X2 DN150	JOINT/RAMPE GAZ D218/169X2 DN150 JUNTA/RAMPA DE GAS D218/169X2 DN150	GUARNIZIONE/RAMPA GAS D218/169X2 DN150	1
	65311611	DICHTUNG/GASSTRECKE D127/77X2 DN65 PAKKING/GASSTRAAT D127/77X2 DN65	JOINT/RAMPE GAZ D127/77X2 DN65 JUNTA/RAMPA DE GAS D127/77X2 DN65	GUARNIZIONE/RAMPA GAS D127/77X2 DN65	1
	65311612	DICHTUNG/GASSTRECKE D142/90X2 DN80 PAKKING/GASSTRAAT D142/90X2 DN80	JOINT/RAMPE GAZ D142/90X2 DN80 JUNTA/RAMPA DE GAS D142/90X2 DN80	GUARNIZIONE/RAMPA GAS D142/90X2 DN80	1
	65311613	DICHTUNG/GASSTRECKE D162/115X2 DN100 PAKKING/GASSTRAAT D162/115X2 DN100	JOINT/RAMPE GAZ D162/115X2 DN100 JUNTA/RAMPA DE GAS D162/115X2 DN100	GUARNIZIONE/RAMPA GAS D162/115X2 DN100	1
	65311614	DICHTUNG/GASSTRECKE D192/141X2 DN125 PAKKING/GASSTRAAT D192/141X2 DN125	JOINT/RAMPE GAZ D192/141X2 DN125 JUNTA/RAMPA DE GAS D192/141X2 DN125	GUARNIZIONE/RAMPA GAS D192/141X2 DN125	1
4130	65311586	LEITUNGSDOSE VENTILANTRIEB AGA64 STEKKER VROUWELIJK AGA64	PRISE FEMELLE AGA64 TOMA HEMBRA AGA64	PRESA FEMMINA AGA64	1
4140	65311615	GERAETESTECKDOSE GDMW 30-11 DF STEKKER GDMW 30-11 DF	PRISE GDMW 30-11 DF TOMA GDMW 30-11 DF	PRESA GDMW 30-11 DF	1
4150	13010091	GASDRUCKWACHTER GW 500 A5 100-500MB GASDRUKSCHAKELAAR GW 500 A5 30-500MB	MANOSTAT GAZ GW 500 A5 100-500MB PRESOSTATO GAS GW 500 A5 30-500MB	PRESSOSTATO GAS GW 500 A5 100-500MB	1
	65311597	DRUCKWAECHTER GW 150 A6 M. STECKERANSCHL. GASDRUKSCHAKELAAR GW 150 A6 10-150MB DIN	MANOSTAT GAZ GW 150 A6 10-150MB DIN PRESOSTATO GAS GW 150 A6 10-150MB DIN	PRESSOSTATO GAS GW 150 A6 10-150MB DIN	1
4300	65311460	GASFILTER GF65MF-2020-A-1 DN65 1BAR GASFILTER GF65MF-2020-A-1 DN65 1BAR	FILTRE GAZ GF65MF-2020-A-1 DN65 1BAR FILTRO GAS GF65MF-2020-A-1 DN65 1BAR	FILTRO GAS GF65MF-2020-A-1 DN65 1BAR	1
	65311461	GASFILTER GF80MF-2424-A-1 DN80 1BAR GASFILTER GF80MF-2424-A-1 DN80 1BAR	FILTRE GAZ GF80MF-2424-A-1 DN80 1BAR FILTRO GAS GF80MF-2424-A-1 DN80 1BAR	FILTRO GAS GF80MF-2424-A-1 DN80 1BAR	1
	65311462	GASFILTER GF100MF-3232-A-1 DN100 1BAR GASFILTER GF100MF-3232-A-1 DN100 1BAR	FILTRE GAZ GF100MF-3232-A-1 DN100 1BAR FILTRO GAS GF100MF-3232-A-1 DN100 1BAR	FILTRO GAS GF100MF-3232-A-1 DN100 1BAR	1
	65311463	GASFILTER GF125MF-4040-A-1 DN125 1BAR GASFILTER GF125MF-4040-A-1 DN125 1BAR	FILTRE GAZ GF125MF-4040-A-1 DN125 1BAR FILTRO GAS GF125MF-4040-A-1 DN125 1BAR	FILTRO GAS GF125MF-4040-A-1 DN125 1BAR	1
	65311892	GASFILTER GF150MF-4848-A-1 DN150 1BAR GASFILTER GF150MF-4848-A-1 DN150 1BAR	FILTRE GAZ GF150MF-4848-A-1 DN150 1BAR FILTRO GAS GF150MF-4848-A-1 DN150 1BAR	FILTRO GAS GF150MF-4848-A-1 DN150 1BAR	1
4301	65311623	ERSATZTEILSET F.GASFILTER GF150MF FILTERELEMENT GF150MF	ELEMENT FILTRANT GF150MF ELEMENTO FILTRANTE GF150MF	ELEMENTO FILTRANTE GF150MF	1
	65311723	ERSATZTEILSET F.GASFILTER GF 65MF FILTERELEMENT GF65MF	ELEMENT FILTRANT GF65MF ELEMENTO FILTRANTE GF65MF	ELEMENTO FILTRANTE GF65MF	1
	65311888	ERSATZTEILSET F.GASFILTER GF 80MF FILTERELEMENT GF80MF	ELEMENT FILTRANT GF80MF ELEMENTO FILTRANTE GF80MF	ELEMENTO FILTRANTE GF80MF	1
	65311889	ERSATZTEILSET F.GASFILTER GF100MF FILTERELEMENT GF100MF	ELEMENT FILTRANT GF100MF ELEMENTO FILTRANTE GF100MF	ELEMENTO FILTRANTE GF100MF	1
	65311890	ERSATZTEILSET F.GASFILTER GF125MF FILTERELEMENT GF125MF	ELEMENT FILTRANT GF125MF ELEMENTO FILTRANTE GF125MF	ELEMENTO FILTRANTE GF125MF	1
4505	65321049	DICHTUNG/GASSTRECKE D125/90X3 PAKKING/GASTRAIN D125/90X3	JOINT/RAMPE GAZ D125/90X3 JUNTA/GASTRAIN D125/90X3	GUARNIZIONE/RAMPA GAS D125/90X3	1
4510	65311494	GASANSCHLUSSST. DN65-DN80 PN16 GASAANSLUITBUIS DN65-DN80 PN16	COLLECTEUR DN65-DN80 PN16 COLECTOR DN65-DN80 PN16	COLLETTORE DN65-DN80 PN16	1
	65311506	GASANSCHLUSSST. DN65-DN65 PN16 GASAANSLUITBUIS DN65-DN65 PN16	COLLECTEUR DN65-DN65 PN16 COLECTOR DN65-DN65 PN16	COLLETTORE DN65-DN65 PN16	1
	65311508	GASANSCHLUSSST. DN65-DN100 PN16 GASAANSLUITBUIS DN65-DN100 PN16	COLLECTEUR DN65-DN100 PN16 COLECTOR DN65-DN100 PN16	COLLETTORE DN65-DN100 PN16	1
4520	65311601	GERADE-EINSCHRAUBSTUT.P-EGES 12L/R 1/4WD RECHTE AANSLUITING P-EGES 12L/R 1/4WD	RACCORD DROIT P-EGES 12L/R 1/4WD RACOR RECTO P-EGES 12L/R 1/4WD	RACCORDO DESTRO P-EGES 12L/R 1/4WD	1
4530	65311344	T-VERSCHRAUBUNG P-TV 12 L T-STUK P-TV 12 L	RACCOR EN T P-TV 12 L RACOR EN T P-TV 12 L	RACCORDO A T P-TV 12 L	1
4560	65311607	STOPFEN D15/10X21 VSD 12L/S O.M.MB STOP D15/10X21 VSD 12L/S O.M.MB	BOUCHON D15/10X21 VSD 12L/S O.M.MB TAPÓN D15/10X21 VSD 12L/S O.M.MB	TAPPO D15/10X21 VSD 12L/S O.M.MB	1
4580	65311844	GASVENTIL MBC-1900-SE DN65 40-80MBAR GASKLEP MBC1900 SE DN65 40-80MBAR	VANNE GAZ MBC1900 SE DN65 40-80MBAR VALVULA GAS MBC1900SE DN65 40-80MBAR	VALVOLA GAS MBC1900 SE DN65 40-80MBAR	1
	65311845	GASVENTIL MBC-3100-SE DN80 40-80MBAR GASKLEP MBC3100 SE DN80 40-80 MBAR	VANNE GAZ MBC3100 SE DN80 40-80 MBAR VALVULA GAS MBC3100 SE DN80 40-80 MBAR	VALVOLA GAS MBC3100 SE DN80 40-80 MBAR	1


		DE		FR		IT		
		NL		ES				
	65311846	GASVENTIL MBC-5000-SE DN100 40-80MBAR GASKLEP MBC5000 SE DN100 40-80 MBAR		VANNE GAZ MBC5000 SE DN100 40-80 MBAR VALVULA GAS MBC5000 SE DN100 40-80 MBAR		VALVOLA GAS MBC5000 SE DN100 40-80 MBAR		1
4620	65311342	DICHTUNG/GASSTRECKE D218/169X2 DN150 PAKKING/GASSTRAAT D218/169X2 DN150		JOINT/RAMPE GAZ D218/169X2 DN150 JUNTA/RAMPA DE GAS D218/169X2 DN150		GUARNIZIONE/RAMPA GAS D218/169X2 DN150		1
	65311611	DICHTUNG/GASSTRECKE D127/77X2 DN65 PAKKING/GASSTRAAT D127/77X2 DN65		JOINT/RAMPE GAZ D127/77X2 DN65 JUNTA/RAMPA DE GAS D127/77X2 DN65		GUARNIZIONE/RAMPA GAS D127/77X2 DN65		1
	65311612	DICHTUNG/GASSTRECKE D142/90X2 DN80 PAKKING/GASSTRAAT D142/90X2 DN80		JOINT/RAMPE GAZ D142/90X2 DN80 JUNTA/RAMPA DE GAS D142/90X2 DN80		GUARNIZIONE/RAMPA GAS D142/90X2 DN80		1
	65311613	DICHTUNG/GASSTRECKE D162/115X2 DN100 PAKKING/GASSTRAAT D162/115X2 DN100		JOINT/RAMPE GAZ D162/115X2 DN100 JUNTA/RAMPA DE GAS D162/115X2 DN100		GUARNIZIONE/RAMPA GAS D162/115X2 DN100		1
	65311614	DICHTUNG/GASSTRECKE D192/141X2 DN125 PAKKING/GASSTRAAT D192/141X2 DN125		JOINT/RAMPE GAZ D192/141X2 DN125 JUNTA/RAMPA DE GAS D192/141X2 DN125		GUARNIZIONE/RAMPA GAS D192/141X2 DN125		1
4640	13010091	GASDRUCKWACHTER GW 500 A5 100-500MB GASDRUKSCHAKELAAR GW 500 A5 30-500MB		MANOSTAT GAZ GW 500 A5 100-500MB PRESOSTATO GAS GW 500 A5 30-500MB		PRESSOSTATO GAS GW 500 A5 100-500MB		1
	65311597	DRUCKWAECHTER GW 150 A6 M. STECKERANSCHL GASDRUKSCHAKELAAR GW 150 A6 10-150MB DIN		MANOSTAT GAZ GW 150 A6 10-150MB DIN PRESOSTATO GAS GW 150 A6 10-150MB DIN		PRESSOSTATO GAS GW 150 A6 10-150MB DIN		1
4650	65311615	GERAETESTECKDOSE GDMW 30-11 DF STEKKER GDMW 30-11 DF		PRISE GDMW 30-11 DF TOMA GDMW 30-11 DF		PRESA GDMW 30-11 DF		1
4800	65311460	GASFILTER GF65MF-2020-A-1 DN65 1BAR GASFILTER GF65MF-2020-A-1 DN65 1BAR		FILTRE GAZ GF65MF-2020-A-1 DN65 1BAR FILTRO GAS GF65MF-2020-A-1 DN65 1BAR		FILTRO GAS GF65MF-2020-A-1 DN65 1BAR		1
	65311461	GASFILTER GF80MF-2424-A-1 DN80 1BAR GASFILTER GF80MF-2424-A-1 DN80 1BAR		FILTRE GAZ GF80MF-2424-A-1 DN80 1BAR FILTRO GAS GF80MF-2424-A-1 DN80 1BAR		FILTRO GAS GF80MF-2424-A-1 DN80 1BAR		1
	65311462	GASFILTER GF100MF-3232-A-1 DN100 1BAR GASFILTER GF100MF-3232-A-1 DN100 1BAR		FILTRE GAZ GF100MF-3232-A-1 DN100 1BAR FILTRO GAS GF100MF-3232-A-1 DN100 1BAR		FILTRO GAS GF100MF-3232-A-1 DN100 1BAR		1
	65311463	GASFILTER GF125MF-4040-A-1 DN125 1BAR GASFILTER GF125MF-4040-A-1 DN125 1BAR		FILTRE GAZ GF125MF-4040-A-1 DN125 1BAR FILTRO GAS GF125MF-4040-A-1 DN125 1BAR		FILTRO GAS GF125MF-4040-A-1 DN125 1BAR		1
	65311892	GASFILTER GF150MF-4848-A-1 DN150 1BAR GASFILTER GF150MF-4848-A-1 DN150 1BAR		FILTRE GAZ GF150MF-4848-A-1 DN150 1BAR FILTRO GAS GF150MF-4848-A-1 DN150 1BAR		FILTRO GAS GF150MF-4848-A-1 DN150 1BAR		1
4801	65311623	ERSATZTEILSET F.GASFILTER GF150MF FILTERELEMENT GF150MF		ELEMENT FILTRANT GF150MF ELEMENTO FILTRANTE GF150MF		ELEMENTO FILTRANTE GF150MF		1
	65311723	ERSATZTEILSET F.GASFILTER GF 65MF FILTERELEMENT GF65MF		ELEMENT FILTRANT GF65MF ELEMENTO FILTRANTE GF65MF		ELEMENTO FILTRANTE GF65MF		1
	65311888	ERSATZTEILSET F.GASFILTER GF 80MF FILTERELEMENT GF80MF		ELEMENT FILTRANT GF80MF ELEMENTO FILTRANTE GF80MF		ELEMENTO FILTRANTE GF80MF		1
	65311889	ERSATZTEILSET F.GASFILTER GF100MF FILTERELEMENT GF100MF		ELEMENT FILTRANT GF100MF ELEMENTO FILTRANTE GF100MF		ELEMENTO FILTRANTE GF100MF		1
	65311890	ERSATZTEILSET F.GASFILTER GF125MF FILTERELEMENT GF125MF		ELEMENT FILTRANT GF125MF ELEMENTO FILTRANTE GF125MF		ELEMENTO FILTRANTE GF125MF		1
5002	65312445	FEUERUNGSAUT. BT320 BASISEINSTELL. BRANDERAUT. BT320 BASIS AFSTELLING		COFFRET BT320 REGLAGE DE BASE PROGRAMADOR BT320 CONFIGUR. BÁSICA		APPARECCH. BT320 REGOL. BASE		1
	65312446	FEUERUNGSAUT. BT330 BASISEINSTELL. BRANDERAUT. BT330 BASIS AFSTELLING		COFFRET BT330 REGLAGE DE BASE PROGRAMADOR BT330 CONFIGUR. BÁSICA		APPARECCH. BT330 REGOL. BASE		1
	65312448	FEUERUNGSAUT. BT320 SPEZIAL EINSTELL. BRANDERAUT. BT320 SPECIAL. AFSTELLING		COFFRET BT320 REGLAGE SPECIFIQUE PROGRAMADOR BT320 CONFIG. ESPECÍFICA		APPARECCH. BT320 REGOL. SPEZIAL.		1
	65312449	FEUERUNGSAUT. BT330 SPEZIAL EINSTELL. BRANDERAUT. BT330 SPECIAL. AFSTELLING		COFFRET BT330 REGLAGE SPECIFIQUE PROGRAMADOR BT330 CONFIG. ESPECÍFICA		APPARECCH. BT330 REGOL. SPEZIAL.		1
	65312452	FEUERUNGSAUT. BT320 G-E,EU3,EF3(FQZ,UM.) BRANDERAUT. BT320 G-E,EU3,EF3 (+FQ.O.)		COFFRET BT320 G-E,EU3,EF3 (+REG.FRQ.) PROGRAMAD.BT320 G-E,EU3,EF3(+CONV.FREQ.)		APPARECCH. BT320 G-E,EU3,EF3 (+VARIAT.)		1
5010	65311362	PRUEFBRENNER M.DRUCKKNOPFHahn PB2 PROEFBRANDER MET DRUKKNOP PB2		BRULEUR ESSAI AVEC B. POUSSOIR PB2 QUEMADOR DE PRUEBA CON PULSADOR PB2		BRUCIATORE DI PROVA CON PULSANTE PB2		1
5015	65311790	LCM100 (LSB-M 667R0500-1) LCM100-MODULE (LSB-M 667R0500-1)		MODULE LCM100 (LSB-M 667R0500-1) MÓDULO LCM100 (LSB-M 667R0500-1)		MODULO LCM100 (LSB-M 667R0500-1)		1
5020	65311918	VSM100 (LSB-M 667R0200-1) VSM100-MODULE (LSB-M 667R0200-1)		MODULE VSM100 (LSB-M 667R0200-1) MÓDULO VSM100 (LSB-M 667R0200-1)		MODULO VSM100 (LSB-M 667R0200-1)		1
5035	65312550	INDUKT. NÄHERUNGSSCHALTER NAMUR D25 SENSOR NAMUR D25		CAPTEUR NAMUR D25 SENSOR NAMUR D25		SENSORE NAMUR D25		1
5200	65311948	MOTORSTARTER Y-D 3-7.5KW LC3D090AP7 MOTOR STARTER Y/D 7,5 KW LC3D090AP7		DEMARREUR MOT. ET./TRI.7,5KW LC3D090AP7 ARRANQUE MOTOR Y/D 7,5 KW LC3D090AP7		AVVIATORE STELLA/TRIA. 7,5 KW LC3D090AP7		1
5300	65114033	REGLER RWF 55.50A9 REGELAAR RWF 55.50A9		REGULATEUR RWF 55.50A9 REGULADOR RWF 55.50A9		REGOLATORE RWF 55.50A9		1
5500	65312274	FLAMMENFUEHLER FFS08-UV1 659D31 - 5M FOTOCEL FFS08-UV1 659D31 - 5M W/O		CELLULE FFS08-UV1 659D31 - 5M W/O CELULA FFS08-UV1 659D31 - 5M W/O		CELLULA FFS08-UV1 659D31 - 5M W/O		1

		RU TR	PT	PL	X
1020	65312332	ЧЕХОЛ/ВОЗДУШНЫЙ БЛОК KAPAĞI/HAVA KUTUSU	TAMPA CAIXA DE AR	POKRYWA/OBUDOWA UKŁADU POWIETRZA	1
1030	65312333	ЗВУКОИЗОЛЯЦИЯ/ВОЗДУШНЫЙ БЛОК İZOLASYONU/HAVA KUTUSU	ISOLAMENTO SONORO/CAIXA DE AR	İZOLACJA/OBUDOWA UKŁADU POWIETRZA	1
1040	65311474	ВОЗДУШНЫЙ КОЖУХ D369/249X132 HAVA KILAVUZU D369/249X132	GUIA AR D369/249X132	PRZEWODNIK POWIETRZA D369/249X132	1
	65311490	ВОЗДУШНЫЙ КОЖУХ D306/222X105 HAVA KILAVUZU D306/222X105	GUIA AR D306/222X105	PRZEWODNIK POWIETRZA D306/222X105	1
	65314036	ВОЗДУШНЫЙ КОЖУХ D430/268X145 HAVA KILAVUZU D430/268X145	GUIA AR D430/268X145	PRZEWODNIK POWIETRZA D430/268X145	1
1050	1180603227	БЕСЦВЕТ. ГЛАЗОК ДЛЯ КОНТРОЛЯ ПЛАМЕНИ RENKSİZ GÖZETLEME CAMI D55X21	VIGIA INCOLOR D55X21	WZIERNIK BEZBARWNA D55X21	1
1060	1188052260	ГЛАЗОК ДЛЯ КОНТРОЛЯ ПЛАМЕНИ КОРОБ KARAK/GÖZETLEME CAMI D55X61	TAMPA VIGIA D55X61	POKRYWA/WZIERNIK D55X61	1
1070	1180559591	ГАЙКА/ГЛАЗОК ДЛЯ КОНТРОЛЯ ПЛАМЕНИ SOMUN/GÖZETLEME CAMI M48X1,5 SW60	PARAFUSO VIGIA M48X1,5 SW60	NAKRĘTKA/WZIERNIK M48X1,5 SW60	1
1080	65311489	РАБОЧЕЕ КОЛЕСО D438/225X89 D28+ПЛИТА D58 TÜRBİN D438/225X89 D28+PLAKA D58/12	TURBINA D438/225X89 D28+PRATO D58/12	WIMIK D438/225X89 D28+PŁYTA D58/12	1
	65311500	РАБОЧЕЕ КОЛЕСО D415/225X84 D28+ПЛИТА D58 TÜRBİN D415/225X84 D28+PLAKA D58/12	TURBINA D415/225X84 D28+PRATO D58/12	WIMIK D415/225X84 D28+PŁYTA D58/12	1
	65311822	РАБОЧЕЕ КОЛЕСО D485/252X102D38+ПЛИТА D58 TÜRBİN D485/252X102 D38+PLAKA D58/12	TURBINA D485/252X102 D38+PRATO D58/12	WIMIK D485/252X102 D38+PŁYTA D58/12	1
	65314035	РАБОЧЕЕ КОЛЕСО D540/272X60 D42+ПЛИТА D58 TÜRBİN D540/272X60 D42+PLAKA D58/12	TURBINA D540/272X60 D42+PRATO D58/12	WIMIK D540/272X60 D42+PŁYTA D58/12	1
1090	65311471	ТРАНСФОРМАТОР РОЗЖИГА ЕБИ 1X11 230 ATEŞLEME TRAFÖ. EBI 1X11 230V	TRANSFO IGNIÇÃO EBI 1X11 230V	TRANSFO ZAPŁONOWY EBI 1X11 230V	1
1093	65313375	СТРЕМЯ ФОТОРЕЗИСТОР D22.5 RAR 7/QRA 2 ÜZENGI HÜCRE D22.5 İÇİN RAR 7/QRA 2	ESTRIBO CELULA D22.5 PARA RAR 7/QRA 2	STRZEMIĘ D22.5 FOTOKOMÓRKA RAR 7/QRA 2	1
1094	65312311	ДЕРЖАТЕЛЬ ФОТОРЕЗИСТОР DESTEĞİ HÜCRE	SUPOORTE CELULA	WSPORNIK FOTOKOMÓRKA	1
1095	13019278	ФОТОРЕЗИСТОР QRA 2 HÜCRE QRA 2	CELULA QRA 2	FOTOKOMÓRKA QRA 2	1
1100	65311472	ЗЕРКАЛО/ГЛАЗОК ДЛЯ КОНТРОЛЯ ПЛАМЕНИ AYNA/GÖZETLEME CAMI	ESPELHO/VIGIA	LUSTRO/WZIERNIK	1
1110	65311595	РЕЛЕ ДАВ. ВОЗДУХА LGW 50 A2P 2,5-50MB HAVA BASINÇ ŞALT. LGW 50 A2P 2,5-50MB	PRESSOSTATO AR LGW 50 A2P 2,5-50MB	CZUJNIK CIŚ. POW. LGW 50 A2P 2,5-50MB	1
1120	65312321	ГАЗОВЫЙ КЛАПАН+СЕРВОДВИГАТЕЛЬ В СБОРЕ GAZ KLAPESİ+KOMPLETE SERVO MOTOR	VÁLVULA DE GÁS + ATUADOR COMPLETO	ZAWÓR GAZU+SERWOMOTOR KOMPLETNY	1
1121	65312322	ГАЗОВЫЙ КЛАПАН В СБОРЕ KOMPLETE GAZ KLAPESİ	VÁLVULA DE GÁS COMPLETA	ZAWÓR GAZU KOMPLETNY	1
1122	65312323	ГАЗОВЫЙ СЕРВОДВИГАТЕЛЬ STE4.5 B037/6-R KOMPLETE GAZ SERWOMOT. STE4.5 B037/6-R	ATUADOR GÁS COMPL. STE4.5 B037/6-R 0,8NM	SERWOMOT. GAZU EQ.STE4.5 B037/6-R 0,8NM	1
1123	65312458	МУФТА ПРОКЛАДКИ ПРОВ DIM.34X15/12 D.6,2 KABLO KANALI DIM.34X15/12 D.6,2	PASSA-CABOS DIM.34X15/12 D.6,2	PRZELOTKA PRZEWODU DIM.34X15/12 D6,2	1
1150	65311650	СЕРВОДВИГАТЕ STE 4,5 Q3.51/6+CABLE L3000 SERWOMOTOR STE 4,5 Q3.51/6+CABLE L3000	SERVOMOTOR STE 4,5 Q3.51/6+CABO L3000	SERWOMOTOR STE 4,5 Q3.51/6+CABLE L3000	1
1160	65300527	СЕРВОДВИГАТЕЛЬ STE4,5 B037/6 R+КАБ. L600 SERWOMOTOR STE 4,5 B037/6 R+KABLOSU	SERVOMOTOR STE 4,5 B037/6 R+CABO L600	SERWOMOTOR STE 4,5 B037/6 R+PRZEWÓD L600	1
1161	65312327	ЧЕХОЛ СЕРВОДВИГАТЕЛЬ SERVOMOTOR KAPAĞI	TAMPA DO ATUADOR	POKRYWA SERWOMOTOR	1
1170	65312555	ЭЛЕКТРОДВИ. 3,0KW 230/400V D28 IE3 ЧЕРН. MOTORU 3,0KW 230/400V D28 IE3 SIYAH	MOTOR 3,0KW 230/400V D28 IE3 PRETO	SILNIK 3,0KW 230/400V D28 IE3 CZARNY	1
	65312556	ЭЛЕКТРОДВИ. 4,0KW 400/690V D28 IE3 ЧЕРН. MOTORU 4,0KW 400/690V D28 IE3 SIYAH	MOTOR 4,0KW 400/690V D28 IE3 PRETO	SILNIK 4,0KW 400/690V D28 IE3 CZARNY	1
	65312558	ЭЛЕКТРОДВИ. 7,5KW 400/690V D38 IE3 ЧЕРН. MOTORU 7,5KW 400/690V D38 IE3 SIYAH	MOTOR 7,5KW 400/690V D38 IE3 PRETO	SILNIK 7,5KW 400/690V D38 IE3 CZARNY	1
	65326333	ЭЛЕКТРОДВИГАТЕ.11KW 400/690V D42 IE3 ЧЕ. MOTORU 11KW 400/690V D42 IE3 ELV SIYAH	MOTOR 11KW 400/690V D42 IE3 ELV PRETO	SILNIK 11KW 400/690V D42 IE3 ELV CZARNY	1
1200	65312328	ВОЗДУШНАЯ ЗАСЛОНКА В СБОРЕ DONANIMLI HAVA KLAPESİ	CONJUNTO ALETA DE AR	PRZEPUSTNICA POWIETRZA Z OSPRZĘTEM	1
1201	65312331	ПРИВОДНОЙ РЫЧАГ/ВОЗДУШНАЯ ЗАСЛОНКА SÜRÜCÜ KOLU/HAVA KLAPESİ	ALAVANCA ACIONAMENTO ALETA DE AR	DŹWIGNIA NAPĘDU/PRZEPUSTNICA POWIE.	1
1202	65312330	СТЕРЖЕНЬ D10X145 M6 ВОЗДУШНАЯ ЗАСЛОНКА BAĞLANTI D10X145 M6 HAVA KLAPESİ	BIELA D10X145 M6 FLAP DE AR	POŁĄCZENIE D10X145 M6 PRZEPUSTNICA POWI.	1
1203	65312329	ОСЬ/ВОЗДУШНАЯ ЗАСЛ. D34/25X100 FLAT L55 AKSI / HAVA KLAPESİ D34/25X100 FLAT L55	HASTE / FLAP DE AR D34/25X100 FLAT L55	ÓŚ/PRZEPUSTNICA POW. D34/25X100 FLAT L55	1
1204	65312459	ОСЬ/ВОЗДУШНАЯ ЗАСЛ. D34/25X100 С УКАЗАТ. AKSI / HAVA KLAPESİ D34/25X100 I.ŞARET.	HASTE / FLAP DE AR D34/25X100 C.PONTEIRO	ÓŚ/PRZEPUSTNICA POW.D34/25X100 Z WSKAŹN.	1
1206	65310724	КАБЕЛЬ РОЗЖИГА D4/SAT 72750 ATEŞLEME KABLOSU D4/SAT 72750	CABO ENCENDIDO D4/SAT 72750	PRZEWÓD ALU. D4/SAT 72750	1
1510	65312340	ЧЕХОЛ ЭЛЕКТРОННОГО ЩИТА ELEKTRİK MUHAFAZA KAPAĞI	TAMPA DO ARMÁRIO ELÉTRICO	POKRYWA URZĄDZEŃ ELEKTRYCZNYCH	1

		<table border="1"><tr><td>RU</td></tr><tr><td>TR</td></tr></table>	RU	TR	<table border="1"><tr><td>PT</td></tr><tr><td></td></tr></table>	PT		<table border="1"><tr><td>PL</td></tr><tr><td></td></tr></table>	PL		
RU											
TR											
PT											
PL											
1512	65312338	ЗАГЛУШКА/РЕГУЛЯТОР 92X45 IP54 OBTÜRATOER/REGÜLATÖR 92X45 IP54	TAMPA CEGA/CONTROLADOR 92X45 IP54	ZAŚLEPKA/REGULATOR 92X45 IP54	1						
1520	65326869	ДИСПЛЕЙ БЛОКА УПРАВЛЕНИЯ BT3XX EKKRAN KUTU BT3XX	VISOR UNIDADE DE CONTROLE BT3XX	WYŚWIETLACZ MODUŁ BT3XX	1						
1525	65311364	ПРОКЛАДКА/ДИСПЛЕЙ 152/140X80/70X2 CONTASI/EKRAN 152/140X80/70X2	GAXETA/VISOR 152/140X80/70X2	USZCZELKA/WYŚWIETLACZ 152/140X80/70X2	1						
1530	65312451	БЛОК УПРАВЛЕНИЯ BT320 G-E, G-EU3, G-EF3 KUTU BT320 G-E, G-EU3, G-EF3	PROGRAMADOR BT320 G-E, G-EU3	MODUŁ BT320 G-E, G-EU3, G-EF3	1						
1580	65311776	РАЗЪЕДИНИТ. ЭЛЕКТРОДВИГА. 7,5 kW GV2ME20 DEVRE KESİCİ MOTOR 7,5 kW GV2ME20	DISJUNTOR MOTOR 7,5 kW GV2ME20	WYŁĄCZNIKI SILNIK 7,5 kW GV2ME20	1						
	65311794	РАЗЪЕДИНИТ. ЭЛЕКТРОДВИГА. 3-4KW GV2ME14 DEVRE KESİCİ MOTOR 3-4KW GV2ME14	DISJUNTOR MOTOR 3-4KW GV2ME14	WYŁĄCZNIKI SILNIK 3-4KW GV2ME14	1						
	65312018	РАЗЪЕДИНИТ. ЭЛЕКТРОДВИ. 11KW GV2ME22 DEVRE KESİCİ MOTOR 11KW GV2ME22	DISJUNTOR MOTOR 11KW GV2ME22	WYŁĄCZNIKI SILNIK 11KW GV2ME22	1						
1585	65311795	ВСПОМОГАТЕЛЬНЫЙ ПЕРЕКЛЮЧАТЕЛЬ GVAE11 YARDIMCI ANAHTARI GVAE11	INTERRUPTOR AUXILIAR GVAE11	PRZEŁĄCZNIK POMOCNICZY GVAE11	1						
1595	65311793	ВЫКЛЮЧ. ЭЛЕКТРОДВ. SCH D 3-4kW LC1D09P7 KONTAKTOER MOTOR SCH D 3-4kW LC1D09P7	CONTACTOR MOTOR SCH D 3-4kW LC1D09P7	STYCZNIK SILNIK SCH D 3-4kW LC1D09P7	1						
	65311947	ВЫКЛЮЧА.ЭЛЕКТРОДВ. SCH D3-7,5KW LC1D18P7 KONTAKTOER MOT. SCH D 3-7,5KW LC1D18P7	CONTACTOR MOTOR SCH D 3-7,5KW LC1D18P7	STYCZNIK SILNIK SCH D 3-7,5KW LC1D18P7	1						
	65312015	ПУСКАТЕЛЬ ДВИГАТЕЛЯ Y/D 11KW LC3D12AP7 MARŞ MOTORU Y/D 11KW LC3D12AP7	ARRANCADOR MOTOR Y/D 11KW LC3D12AP7	ROZRUSZ. SILNIKA Y/D 11KW LC3D12AP7	1						
1600	65312334	СИГНАЛЬНАЯ ЛАМПА ЭЛЕКТРОННОГО ЩИТА İKAZ IŞIĞI ELEKTRİK MUHAFAZA	LUZ INDICADORA DO ARMÁRIO ELÉTRICO	LAMPKA KONTROLNA URZĄDZEŃ ELEKTRY.	1						
1601	65312335	ПЕРЕКЛЮЧАТЕЛЬ 2 ПОЗ. ANAHTARI İKİ POZİSYONLU	INTERRUPTOR 2 POS.	PRZEŁĄCZNIK 2 POZ.	1						
1602	65312336	ПЕРЕКЛЮЧАТЕЛЬ 3 ПОЗ. ANAHTARI ÜÇ POZİSYONLU	INTERRUPTOR 3 POS.	PRZEŁĄCZNIK 3 POZ.	1						
1604	65312337	ПЕРЕКЛЮЧАТЕЛЬ 2 ПОЗ. МОМЕНТ. СНИМОК ANAHTARI İKİ POZİSYONLU ANINDA	INTERRUPTOR MOMENTÂNEO 2 POS.	PRZEŁĄCZNIK 2 POZ. MIGAWKA	1						
1605	65312341	ЗАГЛУШКА/ЧЕХОЛ ЭЛЕКТРОННОГО ЩИТА OBTÜRATOER/ELEKTR. MUHAFAZA KAPAĞI	TAMPA CEGA/TAMPA DO ARMÁRIO ELÉTRICO	ZAŚLEPKA/POKRYWA URZĄDZEŃ ELEKTR.	1						
1610	65311758	САЛБНИК M20 KABLO RAKORU M20	PRENSAESTOPAS M20	DLAWNICA M20	1						
1611	65311451	САЛБНИК M16 KABLO RAKORU M16	PRENSAESTOPAS M16	DLAWNICA M16	1						
1700	65311446	ИНСТРУМЕНТЫ WAG 2009-309 İŞLETİM ARAC WAG 2009-309	FERRAMENTA WAG 2009-309	NARZĘD. D.PRZEŁĄCZANIA WAG 2009-309	1						
2040	65311875	ЭЛЕКТРОД ЗАЖИГА, D9X50 D3X35 90+60°L150D4 ATEŞLEYİCİ ELEK. D9X50 D3X35 90+60°L150D4	ELETRODO ENCEND. D9X50 D3X35 90+60°L150D4	ELEKTRODA ALU. D9X50 D3X35 90+60°L150D4	1						
2047	65312834	ДЕРЖАТЕЛЬ ЭЛЕКТРОД ЗАЖИГАНИЯ DESTEĞİ ATEŞLEYİCİ ELEKTROD	SUPORE ELETRODO ENCENDIDO	WSPORNIK ELEKTRODA ALU.	1						
2070	65313731	КАБЕЛЬ РОЗЖИГА FZLSI 1X1,00Q-CU/СИЛИКОН. ATEŞLEME KABLO. FZLSI 1X1,00Q-CU/SİLİKON	CABO IGNIZACAO FZLSI 1X1,00Q-CU/SILICONE	PRZEWÓD ZAPŁON. FZLSI 1X1,00Q-CU/SILIKON	1						
2072	3333260384	РЕЗИСТОР ПОДАВЛЕНИЕ ПОМЕХ 1КОММ D10X52.5 REZİSTANS PARAZİT GİDERME 1KOHM D10X52.5	RESİST.SUPRESSÃO İNTERFER.1KOHM D10X52.5	REZYSTOR TŁUMIENIE ZAKŁÓC.1KOHM D10X52.5	1						
2100	65312824	СОПЛО ГОРЕЛКИ D262,5/220/171 L450 F3 BRÜLÖR BORUSU D262,5/220/171 L450 F3	TUBO DO QUEIMADOR D262,5/220/171 L450 F3	RURA PALNIKA D262,5/220/171 L450 F3	1						
	65312825	СОПЛО ГОРЕЛКИ D262,5/220/171 L570 F3 BRÜLÖR BORUSU D262,5/220/171 L570 F3	TUBO DO QUEIMADOR D262,5/220/171 L570 F3	RURA PALNIKA D262,5/220/171 L570 F3	1						
	65312826	СОПЛО ГОРЕЛКИ D262,5/220/171 L690 F3 BRÜLÖR BORUSU D262,5/220/171 L690 F3	TUBO DO QUEIMADOR D262,5/220/171 L690 F3	RURA PALNIKA D262,5/220/171 L690 F3	1						
	65312827	СОПЛО ГОРЕЛКИ D323,5/240 L470 F3 BRÜLÖR BORUSU D323,5/240 L470 F3	TUBO DO QUEIMADOR D323,5/240 L470 F3	RURA PALNIKA D323,5/240 L470 F3	1						
	65312828	СОПЛО ГОРЕЛКИ D323,5/240 L600 F3 BRÜLÖR BORUSU D323,5/240 L600 F3	TUBO DO QUEIMADOR D323,5/240 L600 F3	RURA PALNIKA D323,5/240 L600 F3	1						
	65312829	СОПЛО ГОРЕЛКИ D323,5/240 L730 F3 BRÜLÖR BORUSU D323,5/240 L730 F3	TUBO DO QUEIMADOR D323,5/240 L730 F3	RURA PALNIKA D323,5/240 L730 F3	1						
	65312830	СОПЛО ГОРЕЛКИ D323,5/268 L470 F3 BRÜLÖR BORUSU D323,5/268 L470 F3	TUBO DO QUEIMADOR D323,5/268 L470 F3	RURA PALNIKA D323,5/268 L470 F3	1						
	65312831	СОПЛО ГОРЕЛКИ D323,5/368 L600 F3 BRÜLÖR BORUSU D323,5/368 L600 F3	TUBO DO QUEIMADOR D323,5/368 L600 F3	RURA PALNIKA D323,5/368 L600 F3	1						
	65312832	СОПЛО ГОРЕЛКИ D323,5/368 L730 F3 BRÜLÖR BORUSU D323,5/368 L730 F3	TUBO DO QUEIMADOR D323,5/368 L730 F3	RURA PALNIKA D323,5/368 L730 F3	1						
2105	65311455	ЗАВИХРИТЕЛЬ D190/170/84X235 10SL DOENER GOEVDE D190/170/84X235 10SL	TURBILHONADOR D190/170/84X235 10SL	ZAWIROWYWACZ D190/170/84X235 10SL	1						
	65311464	ЗАВИХРИТЕЛЬ D210/190/101X300 10SL DOENER GOEVDE D210/190/101X300 10SL	TURBILHONADOR D210/190/101X300 10SL	ZAWIROWYWACZ D210/190/101X300 10SL	1						
	65311543	ЗАВИХРИТЕЛЬ D240/214/101X325 10SL DOENER GOEVDE D240/214/101X325 10SL	TURBILHONADOR D240/214/101X325 10SL	ZAWIROWYWACZ D240/214/101X325 10SL	1						
2203	65311456	ГАЗОВЫЕ ДИФФУЗОРЫ D18/16X70 135° GAZ DİFÜZÖRLER D18/16X70 135°	DIFUSOR GAS D18/16X70 135°	DYSZ GAZU D18/16X70 135°	1						

					
	65311465	ГАЗОВЫЕ ДИФФУЗОРЫ D25/17X82 140° GAZ DIFÜZÖRLER D25/17X82 140°	DIFUSOR GAS D25/17X82 140°	DYSZ GAZU D25/17X82 140°	1
	65311467	ГАЗОВЫЕ ДИФФУЗОРЫ D25/20X95 135° GAZ DIFÜZÖRLER D25/20X95 135°	DIFUSOR GAS D25/20X95 135°	DYSZ GAZU D25/20X95 135°	1
2204	65311466	СТАБИЛИЗАТОР ГАЗОВЫЕ ДИФФУЗОРЫ D20/16 DENGELEYİCİ GAZ DIFÜZOERÜ D20/16	ESTABILIZADOR BOCAL DE GAS D20/16	STABILIZATOR DYSZA GAZU D20/16	1
	65311468	СТАБИЛИЗАТОР ГАЗОВЫЕ ДИФФУЗОРЫ D20/17 DENGELEYİCİ GAZ DIFÜZOERÜ D20/17	ESTABILIZADOR BOCAL DE GAS D20/17	STABILIZATOR DYSZA GAZU D20/17	1
	65311470	СТАБИЛИЗАТОР ГАЗОВЫЕ ДИФФУЗОРЫ D18/15 DENGELEYİCİ GAZ DIFÜZOERÜ D18/15	ESTABILIZADOR BOCAL DE GAS D18/15	STABILIZATOR DYSZA GAZU D18/15	1
2206	65311354	РАСПРЕДЕЛИТЕЛЬ ВОЗД./ЗАВИХРИТЕЛЬ D85/144 HAVA DISTRIBÜTÖRÜ/DOENER GOEVDE D85/144	GERADOR TURBULÊNCIA D85/144	ROZDZIELACZ POWIETRZA/ZAWIROWY. D85/144	1
2207	65311493	ТРУБКА ПОДВОДА ГАЗА LG800 GAZ GELİŞ BORUSU LG800	TUBO ENTRADA GAS LG800	PRZEWÓD DOPROWADZANIA GAZU LG800	1
	65311504	ТРУБКА ПОДВОДА ГАЗА LG560 GAZ GELİŞ BORUSU LG560	TUBO ENTRADA GAS LG560	PRZEWÓD DOPROWADZANIA GAZU LG560	1
	65311505	ТРУБКА ПОДВОДА ГАЗА LG680 GAZ GELİŞ BORUSU LG680	TUBO ENTRADA GAS LG680	PRZEWÓD DOPROWADZANIA GAZU LG680	1
	65311519	ТРУБКА ПОДВОДА ГАЗА LG590 GAZ GELİŞ BORUSU LG590	TUBO ENTRADA GAS LG590	PRZEWÓD DOPROWADZANIA GAZU LG590	1
	65311521	ТРУБКА ПОДВОДА ГАЗА LG710 GAZ GELİŞ BORUSU LG710	TUBO ENTRADA GAS LG710	PRZEWÓD DOPROWADZANIA GAZU LG710	1
	65311523	ТРУБКА ПОДВОДА ГАЗА LG830 GAZ GELİŞ BORUSU LG830	TUBO ENTRADA GAS LG830	PRZEWÓD DOPROWADZANIA GAZU LG830	1
2208	65311496	O-RING 199D117,48X5,33 NBR O-RING 199D117,48X5,33 NBR	O-RING 199D117,48X5,33 NBR	O-RING 199D117,48X5,33 NBR	1
	65311807	O-RING 217D142,88X5,33 NBR O-RING 217D142,88X5,33 NBR	O-RING 217D142,88X5,33 NBR	O-RING 217D142,88X5,33 NBR	1
2209	65311492	ПЛАСТИНА КРЕПЕЖНАЯ ПЛАСТИНА/ГАЗОВОГО ДИФ ADAPTÖR PLAKASI/GAZ DIFÜZOERÜ	PLACA ADAPTADORA/DIFUSOR DE GÁS	PLYTA ADAPTERA/DYSZY GAZU	1
	65311510	ПЛАСТИНА КРЕПЕЖНАЯ ПЛАСТИНА/ГАЗОВОГО ДИФ ADAPTÖR PLAKASI/GAZ DIFÜZOERÜ	PLACA ADAPTADORA/DIFUSOR DE GÁS	PLYTA ADAPTERA/DYSZY GAZU	1
2210	65311491	O-RING 6387D97,79X5,33 NBR O-RING 6387D97,79X5,33 NBR	O-RING 6387D97,79X5,33 NBR	O-RING 6387D97,79X5,33 NBR	1
2211	65312823	ПОЗИЦИОНИРУ. ПЛАСТИНА ГОЛОВКА ГОРЕЛКИ F3 KONUMLANDIRMA PLAKASI KAFASI GAS F3	PLACA DE POSICIONAMENTO CABEÇA GAS F3	PLYTA POZYCJONOWANIE SZEF GAZU F3	1
3005	65321049	ПРОКЛАДКА/GASTRAIN D125/90X3 CONTASI/GASTRAIN D125/90X3	GAXETA/GASTRAIN D125/90X3	USZCZELKA/GASTRAIN D125/90X3	1
3010	65311488	КОЛЛЕКТОР DN65-R2Z 2G1/4 PN16 MANIFOLD DN65-R2Z 2G1/4 PN16	COLETOR DN65-R2Z 2G1/4 PN16	KOLEKTOR DN65-R2Z 2G1/4 PN16	1
	65311503	КОЛЛЕКТОР DN65-R1 1/2Z 2G1/4 PN16 MANIFOLD DN65-R1 1/2Z 2G1/4 PN16	COLETOR DN65-R1 1/2Z 2G1/4 PN16	KOLEKTOR DN65-R1 1/2Z 2G1/4 PN16	1
3020	65311606	ПРЯМОЙ ШТУЦЕР P-GEV 8LR-WD-VI SAĞ RAKOR P-GEV 8LR-WD-VI	UNIÃO DIREITA P-GEV 8LR-WD-VI	ZŁĄCZE PRAWIE P-GEV 8LR-WD-VI	1
3030	65311604	УГЛОВОЙ ШТУЦЕР P-EWV 8-L DIRSEKLI RAKOR P-EWV 8-L	UNIÃO COTOVELO P-EWV 8-L	ZŁĄCZKA TYPU KOLANKO P-EWV 8-L	1
3040	65311579	ШТУЦЕР ОТБОРА ДАВЛЕНИЯ R1/4Z+УПЛОТ. BASINÇ GİRİŞİ R1/4Z+CONTA	TOMADA DE PRESSÃO R1/4Z+JUNTA	GNIĄZ. POMIARU CIŚNIEN. R1/4Z+USZCZEL	1
3060	65311580	ГАЗОВЫЙ КЛАПАН VGD20 4011 RP1"1/2 GAZ VANASI VGD20 4011 RP1"1/2	VALVULA GAS VGD20 4011 RP1"1/2	ZAWÓR GAZOWY VGD20 4011 RP1"1/2	1
	65311581	ГАЗОВЫЙ КЛАПАН VGD20 5011 RP2" GAZ VANASI VGD20 5011 RP2"	VALVULA GAS VGD20 5011 RP2"	ZAWÓR GAZOWY VGD20 5011 RP2"	1
3070	65107100	СЕРВОДВИГАТЕЛЬ SKP25.003 E2 БЕЗ КОНЦЕВЫ SERVOMOTOR SKP 25.003 E2 LIMIT ANAHTAR	SERVOMOT. GÁS SKP25.003 E2 SEM FIM CURSO	SERWOSILNIK SKP25.003E2 BEZ WYŁĄCZNIKI	1
3080	65311585	СОЕДИНИТЕЛ.КАБЕЛЬ AGA 62 PLUG DIN L270 BAĞLANTI KABLOSU AGA 62 PLUG DIN L270	CABO DE CONEXÃO AGA 62 TOMADA DIN L270	POŁĄCZENIOW. KABEL AGA 62 PLUG DIN L270	1
3090	1478836180	СЕРВОДВИГАТЕЛЬ SKP15.000E2 БЕЗ КОНЦЕВЫ SERVOMOTOR SKP15.000E2 LIMIT ANAHTAR	SERVOMOTOR GAS SKP15.000E2 SEM FIM CURSA	SERWOSILNIK SKP15.000E2 BEZ WYŁĄCZNIKI	1
3110	65311377	ФЛАНЕЦ AGF10.50 RP2 FLANŞI AGF10.50 RP2	FLANGE AGF10.50 RP2	KOŁNIERZ AGF10.50 RP2	1
	65313107	ФЛАНЕЦ AGF10 RP1 1/2 FLANŞI AGF10 RP1 1/2	FLANGE AGF10 RP1 1/2	KOŁNIERZ AGF10 RP1 1/2	1
3120	13010091	РЕЛЕ ДАВ. ВОЗДУХА GW 500 A5 30-500MB GAZ BASINÇ ŞALT. GW 500 A5 100-500MB	PRESSOSTATO GAS GW 500 A5 30-500MB	CZUJNIK CIŚ. GAZU GW 500 A5 100-500MB	1
	65311597	РЕЛЕ ДАВ. ГАЗА GW 150 A6 10-150MB DIN GAZ BASINÇ ŞALT. GW 150 A6 10-150MB DIN	PRESSOSTATO GÁS GW 150 A6 10-150MB DIN	CZUJNIK CIŚ. GAZU GW 150 A6 10-150MB DIN	1
3130	65311586	ГНЕЗДОВОЙ РАЗЪЕМ AGA64 DİŞİ PRİZ AGA64	TOMADA FÉMEA AGA64	GNIĄZDO AGA64	1
3140	65311615	РАЗЪЕМ GDMW 30-11 DF PRİZ GDMW 30-11 DF	TOMADA GDMW 30-11 DF	GNIĄZDO GDMW 30-11 DF	1
3300	65311458	ГАЗОВ.ФИЛЬТР GF80M-1212-A-1 RP1 1/2 1BAR GAZ FILTR. GF80M-1212-A-1 RP1 1/2 1BAR	FILTRO GÁS GF80M-1212-A-1 RP1 1/2 1BAR	FILTR GAZU GF80M-1212-A-1 RP1 1/2 1BAR	1

☞	XXXXXXXX	RU	PT	PL	X
		TR			
	65311459	ГАЗОВЫЙ ФИЛЬТР GF80M-1616-A-1 RP2 1BAR GAZ FILTR. GF80M-1616-A-1 RP2 1BAR	FILTRO GÁS GF80M-1616-A-1 RP2 1BAR	FILTR GAZU GF80M-1616-A-1 RP2 1BAR	1
	65311460	ГАЗОВЫЙ ФИЛЬТР GF65MF-2020-A-1 DN65 1BAR GAZ FILTR. GF65MF-2020-A-1 DN65 1BAR	FILTRO GÁS GF65MF-2020-A-1 DN65 1BAR	FILTR GAZU GF65MF-2020-A-1 DN65 1BAR	1
	65311461	ГАЗОВЫЙ ФИЛЬТР GF80MF-2424-A-1 DN80 1BAR GAZ FILTR. GF80MF-2424-A-1 DN80 1BAR	FILTRO GÁS GF80MF-2424-A-1 DN80 1BAR	FILTR GAZU GF80MF-2424-A-1 DN80 1BAR	1
3301	65311361	ФИЛЬТРУЮЩИЙ ЭЛЕМЕНТ GF 80M FILTRE ELEMANI GF 80M	ELEMENTO FILTRANTE GF 80M	WKŁAD FILTRA GF 80M	1
	65311723	ФИЛЬТРУЮЩИЙ ЭЛЕМЕНТ GF65MF FILTRE ELEMANI GF65MF	ELEMENTO FILTRANTE GF65MF	WKŁAD FILTRA GF65MF	1
	65311888	ФИЛЬТРУЮЩИЙ ЭЛЕМЕНТ GF80MF FILTRE ELEMANI GF80MF	ELEMENTO FILTRANTE GF80MF	WKŁAD FILTRA GF80MF	1
3505	65321049	ПРОКЛАДКА/GASTRAIN D125/90X3 CONTASI/GASTRAIN D125/90X3	GAXETA/GASTRAIN D125/90X3	USZCZELKA/GASTRAIN D125/90X3	1
3510	65311836	КОЛЛЕКТОР DN65-R1 1/2Z PN16 MANIFOLD DN65-R1 1/2Z PN16	COLETOR DN65-R1 1/2Z PN16	KOLEKTOR DN65-R1 1/2Z PN16	1
	65311837	КОЛЛЕКТОР DN65-R2Z PN16 MANIFOLD DN65-R2Z PN16	COLETOR DN65-R2Z PN16	KOLEKTOR DN65-R2Z PN16	1
3580	65311838	ГАЗОВЫЙ КЛП. MBC300SES82 5-80MBAR GAZ VANA. MBC300 SE S82 5-80MB	VÁLVULA GÁS MBC300 SE S82 5-80MB	ZAWÓR GAZ. MBC300SES82 5-80MB	1
	65311839	ГАЗОВЫЙ КЛАПАН MBC700SES82RP1"1/4 5-80MB GAZ VANA. MBC700SES82 RP1"1/4 5-80MB	VÁLVULA GÁS MBC700SE S82 RP1"1/4 5-80MB	ZAWÓR GAZ. MBC700SES82RP1"1/4 5-80MB	1
	65311840	ГАЗОВЫЙ КЛАПАН MBC1200SES82RP2" 5-80MB GAZ VANA. MBC1200 SE S82 RP2" 5-80 MB	VÁLVULA GÁS MBC1200 SE S82 RP2" 5-80MBA	ZAWÓR GAZ. MBC1200SES82 RP2" 5-80MB	1
3620	65311841	ФЛАНЕЦ MBC300 RP1 1/2 FLANŞI MBC300 RP1 1/2	FLANGE MBC300 RP1 1/2	KOŁNIERZ MBC300 RP1 1/2	1
	65313021	ФЛАНЕЦ MBC700/1200 RP1 1/2 FLANŞI MBC700/1200 RP1 1/2	FLANGE MBC700/1200 RP1 1/2	KOŁNIERZ MBC700/1200 RP1 1/2	1
	65313022	ФЛАНЕЦ MBC700/1200 RP2 FLANŞI MBC700/1200 RP2	FLANGE MBC700/1200 RP2	KOŁNIERZ MBC700/1200 RP2	1
3640	13010091	РЕЛЕ ДАВ. ВОЗДУХА GW 500 A5 30-500MB GAZ BASINÇ ŞALT. GW 500 A5 100-500MB	PRESSOSTATO GAS GW 500 A5 30-500MB	CZUJNIK CIŚ. GAZU GW 500 A5 100-500MB	1
	65311598	РЕЛЕ ДАВ. ВОЗДУХА GW 150 A5 30-150MB GAZ BASINÇ ŞALT. GW 150 A5 30-150MB	PRESSOSTATO GAS GW 150 A5 30-150MB	CZUJNIK CIŚ. GAZU GW 150 A5 30-150MB	1
3650	65311615	РАЗЪЕМ GDMW 30-11 DF PRIZ GDMW 30-11 DF	TOMADA GDMW 30-11 DF	GNIAZDO GDMW 30-11 DF	1
3700	13022415	СЕТЧАТЫЙ ФИЛЬТР/ГАЗОВЫЙ КЛАПАН MBC300 FILTRE SÜZGECI/GAZ VANASI MBC300	ELEMENTO FILTRANTE/VÁLVULA DE GÁS MBC300	FILTR SITOWY/ZAWÓR GAZOWY MBC300	1
	13022416	СЕТЧАТЫЙ ФИЛЬТР/ГАЗОВЫЙ КЛАПАН MBC700 FILTRE SÜZGECI/GAZ VANASI MBC700	ELEMENTO FILTRANTE/VÁLVULA DE GÁS MBC700	FILTR SITOWY/ZAWÓR GAZOWY MBC700	1
	13022417	СЕТЧАТЫЙ ФИЛЬТР/ГАЗОВЫЙ КЛАП. MBC1200 FILTRE SÜZGECI/GAZ VANASI MBC1200	ELEMENTO FILTRANTE/VÁLVULA GÁS MBC1200	FILTR SITOWY/ZAWÓR GAZOWY MBC1200	1
3800	65311458	ГАЗОВ.ФИЛЬТР GF80M-1212-A-1 RP1 1/2 1BAR GAZ FILTR. GF80M-1212-A-1 RP1 1/2 1BAR	FILTRO GÁS GF80M-1212-A-1 RP1 1/2 1BAR	FILTR GAZU GF80M-1212-A-1 RP1 1/2 1BAR	1
	65311459	ГАЗОВЫЙ ФИЛЬТР GF80M-1616-A-1 RP2 1BAR GAZ FILTR. GF80M-1616-A-1 RP2 1BAR	FILTRO GÁS GF80M-1616-A-1 RP2 1BAR	FILTR GAZU GF80M-1616-A-1 RP2 1BAR	1
	65311460	ГАЗОВЫЙ ФИЛЬТР GF65MF-2020-A-1 DN65 1BAR GAZ FILTR. GF65MF-2020-A-1 DN65 1BAR	FILTRO GÁS GF65MF-2020-A-1 DN65 1BAR	FILTR GAZU GF65MF-2020-A-1 DN65 1BAR	1
	65311461	ГАЗОВЫЙ ФИЛЬТР GF80MF-2424-A-1 DN80 1BAR GAZ FILTR. GF80MF-2424-A-1 DN80 1BAR	FILTRO GÁS GF80MF-2424-A-1 DN80 1BAR	FILTR GAZU GF80MF-2424-A-1 DN80 1BAR	1
3801	65311361	ФИЛЬТРУЮЩИЙ ЭЛЕМЕНТ GF 80M FILTRE ELEMANI GF 80M	ELEMENTO FILTRANTE GF 80M	WKŁAD FILTRA GF 80M	1
	65311723	ФИЛЬТРУЮЩИЙ ЭЛЕМЕНТ GF65MF FILTRE ELEMANI GF65MF	ELEMENTO FILTRANTE GF65MF	WKŁAD FILTRA GF65MF	1
	65311888	ФИЛЬТРУЮЩИЙ ЭЛЕМЕНТ GF80MF FILTRE ELEMANI GF80MF	ELEMENTO FILTRANTE GF80MF	WKŁAD FILTRA GF80MF	1
4005	65321049	ПРОКЛАДКА/GASTRAIN D125/90X3 CONTASI/GASTRAIN D125/90X3	GAXETA/GASTRAIN D125/90X3	USZCZELKA/GASTRAIN D125/90X3	1
4010	65311494	КОЛЛЕКТОР DN65-DN80 PN16 MANIFOLD DN65-DN80 PN16	COLETOR DN65-DN80 PN16	KOLEKTOR KDN65-DN80 PN16	1
	65311506	КОЛЛЕКТОР DN65-DN65 PN16 MANIFOLD DN65-DN65 PN16	COLETOR DN65-DN65 PN16	KOLEKTOR DN65-DN65 PN16	1
	65311508	КОЛЛЕКТОР DN65-DN100 PN16 MANIFOLD DN65-DN100 PN16	COLETOR DN65-DN100 PN16	KOLEKTOR DN65-DN100 PN16	1
	65311509	КОЛЛЕКТОР DN65-DN125 PN16 MANIFOLD DN65-DN125 PN16	COLETOR DN65-DN125 PN16	KOLEKTOR DN65-DN125 PN16	1
4020	65311601	ПРЯМОЙ ШТУЦЕР P-EGES 12L/R 1/4WD SAĞ RAKOR P-EGES 12L/R 1/4WD	CONEXÃO DIREITA P-EGES 12L/R 1/4WD	ZŁĄCZE PRAWY P-EGES 12L/R 1/4WD	1
4030	65311605	ШТУЦЕР P-KV12L RAKOR P-KV12L	CONEXÃO P-KV12L	ZŁĄCZE P-KV12L	1
4040	65311603	УГЛОВОЙ ШТУЦЕР P-EWS 12 L-SS DIRSEKLI RAKOR P-EWS 12 L-SS	UNIÃO COTOVELO P-EWS 12 L-SS	ZŁĄCZKA TYPU KOLANKO P-EWS 12 L-SS	1

						
		RU TR	PT	PL		X
4060	65311607	КРЫШКА D15/10X21 VSD 12L/S O.M.MB TAPA D15/10X21 VSD 12L/S O.M.MB	TAMPA D15/10X21 VSD 12L/S O.M.MB	NAKRĘTKA D15/10X21 VSD 12L/S O.M.MB	1	
4080	65311453	ГАЗОВЫЙ КЛАПАН VGD40 125 DN125 GAZ VANASI VGD40 125 DN125	VALVULA GAS VGD40 125 DN125	ZAWÓR GAZOWY VGD40 125 DN125	1	
	65311583	ГАЗОВЫЙ КЛАПАН VGD40 080 DN80 GAZ VANASI VGD40 080 DN80	VALVULA GAS VGD40 080 DN80	ZAWÓR GAZOWY VGD40 080 DN80	1	
	65311590	ГАЗОВЫЙ КЛАПАН VGD40 100 DN100 GAZ VANASI VGD40 100 DN100	VALVULA GAS VGD40 100 DN100	ZAWÓR GAZOWY VGD40 100 DN100	1	
	65323661	ГАЗОВЫЙ КЛАПАН VGD40 065 DN65 GAZ VANASI VGD40 065 DN65	VÁLVULA GÁS VGD40 065 DN65	ZAWÓR GAZOWY VGD40 065 DN65	1	
4090	65107100	СЕРВОДВИГАТЕЛЬ SKP25.003 E2 БЕЗ КОНЦЕВЫ SERVOMOTOR SKP 25.003 E2 LIMIT ANAHTAR	SERVOMOT. GÁS SKP25.003 E2 SEM FIM CORSO	SERWOSILNIK SKP25.003E2 BEZ WYŁĄCZNIKI	1	
4100	65311585	СОЕДИНИТЕЛЬ КАБЕЛЬ AGA 62 PLUG DIN L270 BAĞLANTI KABLOSU AGA 62 PLUG DIN L270	CABO DE CONEXÃO AGA 62 TOMADA DIN L270	POŁĄCZENIOW. KABEL AGA 62 PLUG DIN L270	1	
4110	1478836180	СЕРВОДВИГАТЕЛЬ SKP15.000E2 БЕЗ КОНЦЕВЫ SERVOMOTOR SKP15.000E2 LIMIT ANAHTAR	SERVOMOTOR GAS SKP15.000E2 SEM FIM CURSA	SERWOSILNIK SKP15.000E2 BEZ WYŁĄCZNIKI	1	
4120	65311342	ПРОКЛАДКА/ГАЗОВАЯ РАМПА D218/169X2 DN150 CONTASI/GAZ RAMPASI D218/169X2 DN150	GAXETA/RAMPA DE GAS D218/169X2 DN150	USZCZELKA/RAMPA GAZOWA D218/169X2 DN150	1	
	65311611	ПРОКЛАДКА/ГАЗОВАЯ РАМПА D127/77X2 DN65 CONTASI/GAZ RAMPASI D127/77X2 DN65	GAXETA/RAMPA DE GAS D127/77X2 DN65	USZCZELKA/RAMPA GAZOWA D127/77X2 DN65	1	
	65311612	ПРОКЛАДКА/ГАЗОВАЯ РАМПА D142/90X2 DN80 CONTASI/GAZ RAMPASI D142/90X2 DN80	GAXETA/RAMPA DE GAS D142/90X2 DN80	USZCZELKA/RAMPA GAZOWA D142/90X2 DN80	1	
	65311613	ПРОКЛАДКА/ГАЗОВАЯ РАМПА D162/115X2 DN100 CONTASI/GAZ RAMPASI D162/115X2 DN100	GAXETA/RAMPA DE GAS D162/115X2 DN100	USZCZELKA/RAMPA GAZOWA D162/115X2 DN100	1	
	65311614	ПРОКЛАДКА/ГАЗОВАЯ РАМПА D192/141X2 DN125 CONTASI/GAZ RAMPASI D192/141X2 DN125	GAXETA/RAMPA DE GAS D192/141X2 DN125	USZCZELKA/RAMPA GAZOWA D192/141X2 DN125	1	
4130	65311586	ГНЕЗДОВОЙ РАЗЪЕМ AGA64 DİŞİ PRIZ AGA64	TOMADA FÉMEA AGA64	GNIAZDO AGA64	1	
4140	65311615	РАЗЪЕМ GDMW 30-11 DF PRIZ GDMW 30-11 DF	TOMADA GDMW 30-11 DF	GNIAZDO GDMW 30-11 DF	1	
4150	13010091	РЕЛЕ ДАВ. ВОЗДУХА GW 500 A5 30-500MB GAZ BASINÇ ŞALT. GW 500 A5 100-500MB	PRESSOSTATO GAS GW 500 A5 30-500MB	CZUJNIK CIŚ. GAZU GW 500 A5 100-500MB	1	
	65311597	РЕЛЕ ДАВ. ГАЗА GW 150 A6 10-150MB DIN GAZ BASINÇ ŞALT. GW 150 A6 10-150MB DIN	PRESSOSTATO GÁS GW 150 A6 10-150MB DIN	CZUJNIK CIŚ. GAZU GW 150 A6 10-150MB DIN	1	
4300	65311460	ГАЗОВЫЙ ФИЛЬТР GF65MF-2020-A-1 DN65 1BAR GAZ FILTR. GF65MF-2020-A-1 DN65 1BAR	FILTRO GÁS GF65MF-2020-A-1 DN65 1BAR	FILTR GAZU GF65MF-2020-A-1 DN65 1BAR	1	
	65311461	ГАЗОВЫЙ ФИЛЬТР GF80MF-2424-A-1 DN80 1BAR GAZ FILTR. GF80MF-2424-A-1 DN80 1BAR	FILTRO GÁS GF80MF-2424-A-1 DN80 1BAR	FILTR GAZU GF80MF-2424-A-1 DN80 1BAR	1	
	65311462	ГАЗОВЫЙ ФИЛЬТР GF100MF-3232-A-1 DN100 1B GAZ FILTR. GF100MF-3232-A-1 DN100 1BAR	FILTRO GÁS GF100MF-3232-A-1 DN100 1BAR	FILTR GAZU GF100MF-3232-A-1 DN100 1BAR	1	
	65311463	ГАЗОВЫЙ ФИЛЬТР GF125MF-4040-A-1 DN125 1B GAZ FILTR. GF125MF-4040-A-1 DN125 1BAR	FILTRO GÁS GF125MF-4040-A-1 DN125 1BAR	FILTR GAZU GF125MF-4040-A-1 DN125 1BAR	1	
	65311892	ГАЗОВЫЙ ФИЛЬТР GF150MF-4848-A-1 DN150 1B GAZ FILTR. GF150MF-4848-A-1 DN150 1BAR	FILTRO GÁS GF150MF-4848-A-1 DN150 1BAR	FILTR GAZU GF150MF-4848-A-1 DN150 1BAR	1	
4301	65311623	ФИЛЬТРУЮЩИЙ ЭЛЕМЕНТ GF150MF FILTRE ELEMANI GF150MF	ELEMENTO FILTRANTE GF150MF	WKŁAD FILTRA GF150MF	1	
	65311723	ФИЛЬТРУЮЩИЙ ЭЛЕМЕНТ GF65MF FILTRE ELEMANI GF65MF	ELEMENTO FILTRANTE GF65MF	WKŁAD FILTRA GF65MF	1	
	65311888	ФИЛЬТРУЮЩИЙ ЭЛЕМЕНТ GF80MF FILTRE ELEMANI GF80MF	ELEMENTO FILTRANTE GF80MF	WKŁAD FILTRA GF80MF	1	
	65311889	ФИЛЬТРУЮЩИЙ ЭЛЕМЕНТ GF100MF FILTRE ELEMANI GF100MF	ELEMENTO FILTRANTE GF100MF	WKŁAD FILTRA GF100MF	1	
	65311890	ФИЛЬТРУЮЩИЙ ЭЛЕМЕНТ GF125MF FILTRE ELEMANI GF125MF	ELEMENTO FILTRANTE GF125MF	WKŁAD FILTRA GF125MF	1	
4505	65321049	ПРОКЛАДКА/GASTRAIN D125/90X3 CONTASI/GASTRAIN D125/90X3	GAXETA/GASTRAIN D125/90X3	USZCZELKA/GASTRAIN D125/90X3	1	
4510	65311494	КОЛЛЕКТОР DN65-DN80 PN16 MANIFOLD DN65-DN80 PN16	COLETOR DN65-DN80 PN16	KOLEKTOR KDN65-DN80 PN16	1	
	65311506	КОЛЛЕКТОР DN65-DN65 PN16 MANIFOLD DN65-DN65 PN16	COLETOR DN65-DN65 PN16	KOLEKTOR DN65-DN65 PN16	1	
	65311508	КОЛЛЕКТОР DN65-DN100 PN16 MANIFOLD DN65-DN100 PN16	COLETOR DN65-DN100 PN16	KOLEKTOR DN65-DN100 PN16	1	
4520	65311601	ПРЯМОЙ ШТУЦЕР P-EGES 12L/R 1/4WD SAĞ RAKOR P-EGES 12L/R 1/4WD	CONEXÃO DIREITA P-EGES 12L/R 1/4WD	ZŁĄCZE PRAWIE P-EGES 12L/R 1/4WD	1	
4530	65311344	Т-ШТУЦЕР P-TV 12 L T-RAKOR P-TV 12 L	CONEXÃO EM T P-TV 12 L	T-ZŁĄCZKA P-TV 12 L	1	
4560	65311607	КРЫШКА D15/10X21 VSD 12L/S O.M.MB TAPA D15/10X21 VSD 12L/S O.M.MB	TAMPA D15/10X21 VSD 12L/S O.M.MB	NAKRĘTKA D15/10X21 VSD 12L/S O.M.MB	1	
4580	65311844	ГАЗОВЫЙ КЛАПАН MBC1900SEDN65 40-80MBAR GAZ VANASI MBC1900SE DN65 40-80 MBAR	VÁLVULA GÁS MBC1900SE DN65 40-80MBAR	ZAWÓR GAZ. MBC1900SE DN65 40-80 MBAR	1	
	65311845	ГАЗОВЫЙ КЛАПАН MBC3100SE DN80 40-80MBAR GAZ VANASI MBC3100SE DN80 40-80 MBAR	VÁLVULA GÁS MBC3100 SE DN80 40-80 MBAR	ZAWÓR GAZ. MBC3100SE DN80 40-80 MBAR	1	



	☰	XXXXXXXX	RU	PT	PL	X
			TR			
			ГАЗОВЫЙ КЛАПАН MBC5000SE DN100 40-80MB GAZ VANASI MBC5000 SE DN100 40-80 MB	VÁLVULA GÁS MBC5000 SE DN100 40-80 MBAR	ZAWÓR GAZ.MBC5000SE DN100 40-80MBAR	1
4620			ПРОКЛАДКА/ГАЗОВАЯ РАМПА D218/169X2 DN150 CONTASI/GAZ RAMPASI D218/169X2 DN150	GAXETA/RAMPA DE GAS D218/169X2 DN150	USZCZELKA/RAMPA GAZOWA D218/169X2 DN150	1
			ПРОКЛАДКА/ГАЗОВАЯ РАМПА D127/77X2 DN65 CONTASI/GAZ RAMPASI D127/77X2 DN65	GAXETA/RAMPA DE GAS D127/77X2 DN65	USZCZELKA/RAMPA GAZOWA D127/77X2 DN65	1
			ПРОКЛАДКА/ГАЗОВАЯ РАМПА D142/90X2 DN80 CONTASI/GAZ RAMPASI D142/90X2 DN80	GAXETA/RAMPA DE GAS D142/90X2 DN80	USZCZELKA/RAMPA GAZOWA D142/90X2 DN80	1
			ПРОКЛАДКА/ГАЗОВАЯ РАМПА D162/115X2 DN100 CONTASI/GAZ RAMPASI D162/115X2 DN100	GAXETA/RAMPA DE GAS D162/115X2 DN100	USZCZELKA/RAMPA GAZOWA D162/115X2 DN100	1
			ПРОКЛАДКА/ГАЗОВАЯ РАМПА D192/141X2 DN125 CONTASI/GAZ RAMPASI D192/141X2 DN125	GAXETA/RAMPA DE GAS D192/141X2 DN125	USZCZELKA/RAMPA GAZOWA D192/141X2 DN125	1
4640		13010091	РЕЛЕ ДАВ. ВОЗДУХА GW 500 A5 30-500MB GAZ BASINÇ ŞALT. GW 500 A5 100-500MB	PRESSOSTATO GAS GW 500 A5 30-500MB	CZUJNIK CIŚ. GAZU GW 500 A5 100-500MB	1
			РЕЛЕ ДАВ. ГАЗА GW 150 A6 10-150MB DIN GAZ BASINÇ ŞALT. GW 150 A6 10-150MB DIN	PRESSOSTATO GÁS GW 150 A6 10-150MB DIN	CZUJNIK CIŚ. GAZU GW 150 A6 10-150MB DIN	1
4650			РАЗЪЕМ GDMW 30-11 DF PRIZ GDMW 30-11 DF	TOMADA GDMW 30-11 DF	GNIAZDO GDMW 30-11 DF	1
4800			ГАЗОВЫЙ ФИЛЬТР GF65MF-2020-A-1 DN65 1BAR GAZ FILTR. GF65MF-2020-A-1 DN65 1BAR	FILTRO GÁS GF65MF-2020-A-1 DN65 1BAR	FILTR GAZU GF65MF-2020-A-1 DN65 1BAR	1
			ГАЗОВЫЙ ФИЛЬТР GF80MF-2424-A-1 DN80 1BAR GAZ FILTR. GF80MF-2424-A-1 DN80 1BAR	FILTRO GÁS GF80MF-2424-A-1 DN80 1BAR	FILTR GAZU GF80MF-2424-A-1 DN80 1BAR	1
			ГАЗОВЫЙ ФИЛЬТР GF100MF-3232-A-1 DN100 1B GAZ FILTR. GF100MF-3232-A-1 DN100 1BAR	FILTRO GÁS GF100MF-3232-A-1 DN100 1BAR	FILTR GAZU GF100MF-3232-A-1 DN100 1BAR	1
			ГАЗОВЫЙ ФИЛЬТР GF125MF-4040-A-1 DN125 1B GAZ FILTR. GF125MF-4040-A-1 DN125 1BAR	FILTRO GÁS GF125MF-4040-A-1 DN125 1BAR	FILTR GAZU GF125MF-4040-A-1 DN125 1BAR	1
			ГАЗОВЫЙ ФИЛЬТР GF150MF-4848-A-1 DN150 1B GAZ FILTR. GF150MF-4848-A-1 DN150 1BAR	FILTRO GÁS GF150MF-4848-A-1 DN150 1BAR	FILTR GAZU GF150MF-4848-A-1 DN150 1BAR	1
4801			ФИЛЬТРУЮЩИЙ ЭЛЕМЕНТ GF150MF FILTRE ELEMANI GF150MF	ELEMENTO FILTRANTE GF150MF	WKŁAD FILTRA GF150MF	1
			ФИЛЬТРУЮЩИЙ ЭЛЕМЕНТ GF65MF FILTRE ELEMANI GF65MF	ELEMENTO FILTRANTE GF65MF	WKŁAD FILTRA GF65MF	1
			ФИЛЬТРУЮЩИЙ ЭЛЕМЕНТ GF80MF FILTRE ELEMANI GF80MF	ELEMENTO FILTRANTE GF80MF	WKŁAD FILTRA GF80MF	1
			ФИЛЬТРУЮЩИЙ ЭЛЕМЕНТ GF100MF FILTRE ELEMANI GF100MF	ELEMENTO FILTRANTE GF100MF	WKŁAD FILTRA GF100MF	1
			ФИЛЬТРУЮЩИЙ ЭЛЕМЕНТ GF125MF FILTRE ELEMANI GF125MF	ELEMENTO FILTRANTE GF125MF	WKŁAD FILTRA GF125MF	1
5002			БЛОК УПРА.ВТ320 ОСНОВНЫЕ НАСТРОЙКИ KUTU VТ320 TEMEL AYARI	PROGRAMADOR BT320 CONFIGUR. BÁSICA	MODUŁ BT320 USTAWIENIE PODSTAWOWE	1
			БЛОК УПРА.ВТ330 ОСНОВНЫЕ НАСТРОЙКИ KUTU VТ330 TEMEL AYARI	PROGRAMADOR BT330 CONFIGUR. BÁSICA	MODUŁ BT330 USTAWIENIE PODSTAWOWE	1
			БЛОК УПРА. ВТ320 ОПРЕДЕЛ. ПАРАМ. KUTU VТ320 ÖZEL AYAR	PROGRAMADOR BT320 CONFIG. ESPECÍFICA	MODUŁ BT320 SPECYFICZNE USTAWIENIE	1
			БЛОК УПРА. ВТ330 ОПРЕДЕЛ. ПАРАМ. KUTU VТ330 ÖZEL AYAR	PROGRAMADOR BT330 CONF. ESPECÍFICA	MODUŁ BT330 SPECYFICZNE USTAWIENIE	1
			БЛОК УПРА. ВТ320 G-E,EU3,EF3 (+БЕС.РЕГ.) KUTU VТ320 G-E,EU3,EF3 (+FREK.DÖNÜS.)	PROGRAMADOR BT320 G-E,EU3,EF3(+CTL.FR.)	MODUŁ BT320 G-E,EU3,EF3 (+PRZET.CZEST.)	1
5010			ИСПЫТАТЕЛЬНАЯ ГОРЕЛКА С КНОПКОЙ PB2 BASMA DÜĞMESİ İLE BRÜLÖR TEST PB2	QUEIMADOR DE ENSAIO COM B. PRESSÃO PB2	PALNIK TEST Z PRZYCISKIEM PB2	1
5015			МОДУЛЬ LCM100 (LSB-M 667R0500-1) MODÜLÜ LCM100 (LSB-M 667R0500-1)	MÓDULO LCM100 (LSB-M 667R0500-1)	MODUL LCM100 (LSB-M 667R0500-1)	1
5020			МОДУЛЬ VSM100 (LSB-M 667R0200-1) VSM100 MODÜLÜ (LSB-M 667R0200-1)	MÓDULO VSM100 (LSB-M 667R0200-1)	MODUL VSM100 (LSB-M 667R0200-1)	1
5035			ДАТЧИК NAMUR D25 SENSÖR NAMUR D25	SENSOR NAMUR D25	CZUJNIK NAMUR D25	1
5200			ПУСКАТЕЛЬ ДВИГАТЕЛЯ Y/D 7,5KW LC3D090AP7 MARŞ MOTORU Y/D 7,5 KW LC3D090AP7	ARRANCADOR MOTOR Y/D 7,5 KW LC3D090AP7	ROZRUSZ. SILNIKA Y/D 7,5 KW LC3D090AP7	1
5300			РЕГУЛИРОВАНИЕ RWF 55.50A9 REGÜLATÖRÜ RWF 55.50A9	REGULADOR RWF 55.50A9	REGULATORA RWF 55.50A9	1
5500			ФОТОРЕЗИСТОР FFS08-UV1 659D31 - 5M W/O HÜCRE FFS08-UV1 659D31 - 5M W/O	FOTOCÉLULA FFS08-UV1 659D31 - 5M W/O	FOTOKOMÓRKA FFS08-UV1 659D31 - 5M W/O	1

ADDRESSES

www.elco.net



LIST OF THE ABBREVIATIONS

-  : Maintenance parts / Pièces d'entretien / Materiali di consumo /
: Piezas de mantenimiento / Hilfsmaterial / Onderhoudsonderdelen
-  : Wearing parts / Pièces d'usure / Parti di usura
: Piezas de desgaste / Verschleissteile / Slijtageonderdelen
- * : Item not stocked, manufactured to order / Article non stocké, fabrication à la demande /
: Articolo non a magazzino, produzione all'ordine / Artículo no almacenado, fabricación previa solicitud /
: Keine Lagerware, wird bei Bedarf bestellt, Artikel niet op voorraad, fabricage op bestelling

IDENTIFICATION PLATE

SERIAL NUMBER

7 Characters : 00001 / K A

Sequential number

Trimester of manufacture : from A to D

Year of manufacture : K → 2003
L → 2004
M → 2005
etc ...

8 Characters : 00001 / L 09

Sequential number

Month of manufacture

Year of manufacture : K → 2003
L → 2004
M → 2005
etc ...

11 Characters : 2007 1370 P 07

Year of manufacture

Month of manufacture

Year of manufacture : P → 2007
R → 2008
S → 2009
T → 2010
U → 2011
W → 2012
X → 2013
Y → 2014
Z → 2015

Sequential number

18 Characters : 070115 000000000001

Sequential number

Manufacturing day (07) / Month (01) / Year (15)

The indications mentioned on the prices, commercial or technical literature and the scheme are written for your guidance and are available at a given time. The CONSTRUCTOR retains the power to modify the presentation, the form, the size, the conception or the material of the products.