



SPARE PARTS EXPLODED VIEW DUAL-FUEL BURNERS

Model

CB-VGL06DP-TC

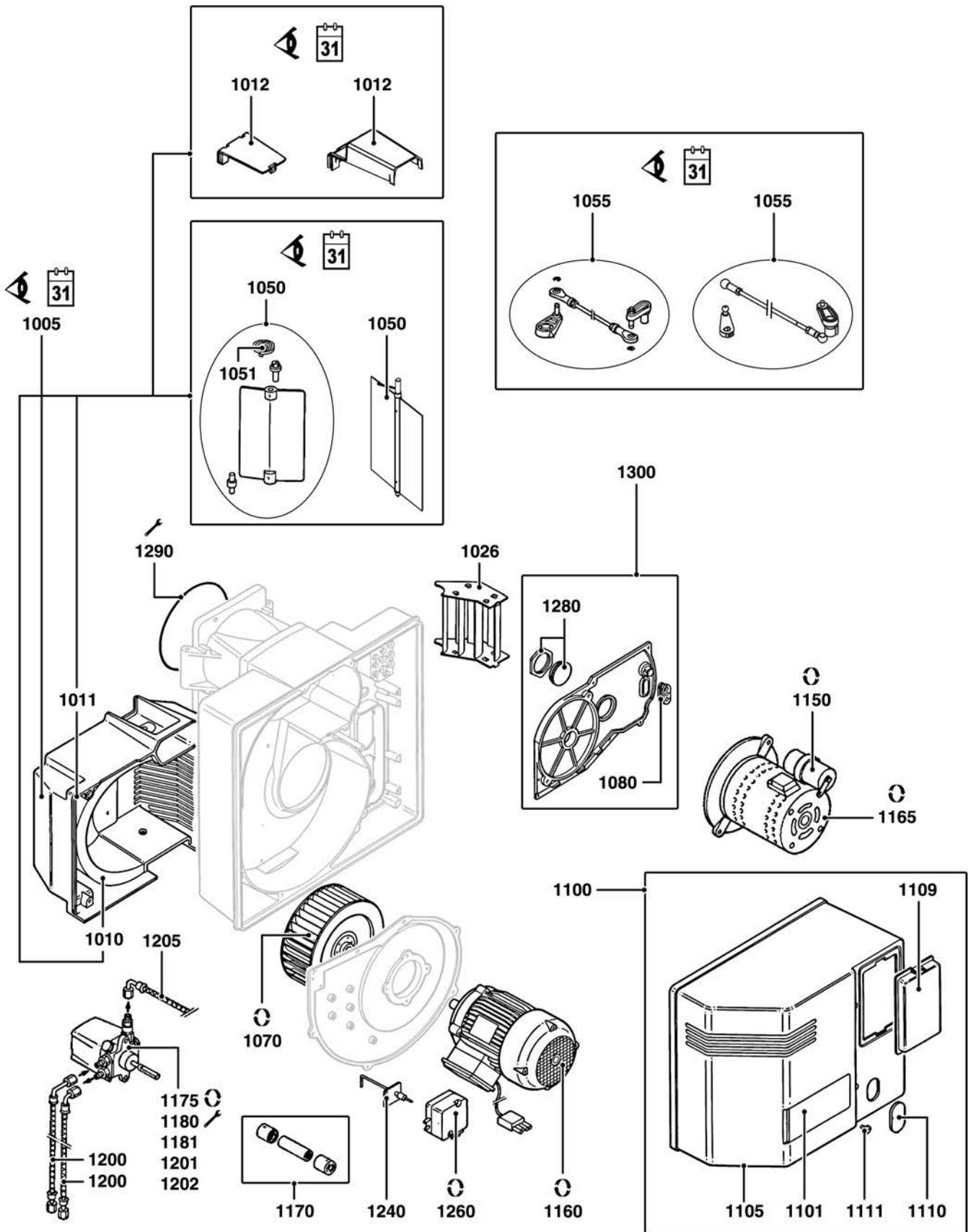
R8220050-02 - 14/02/2017

CB-VGL06DP-TC

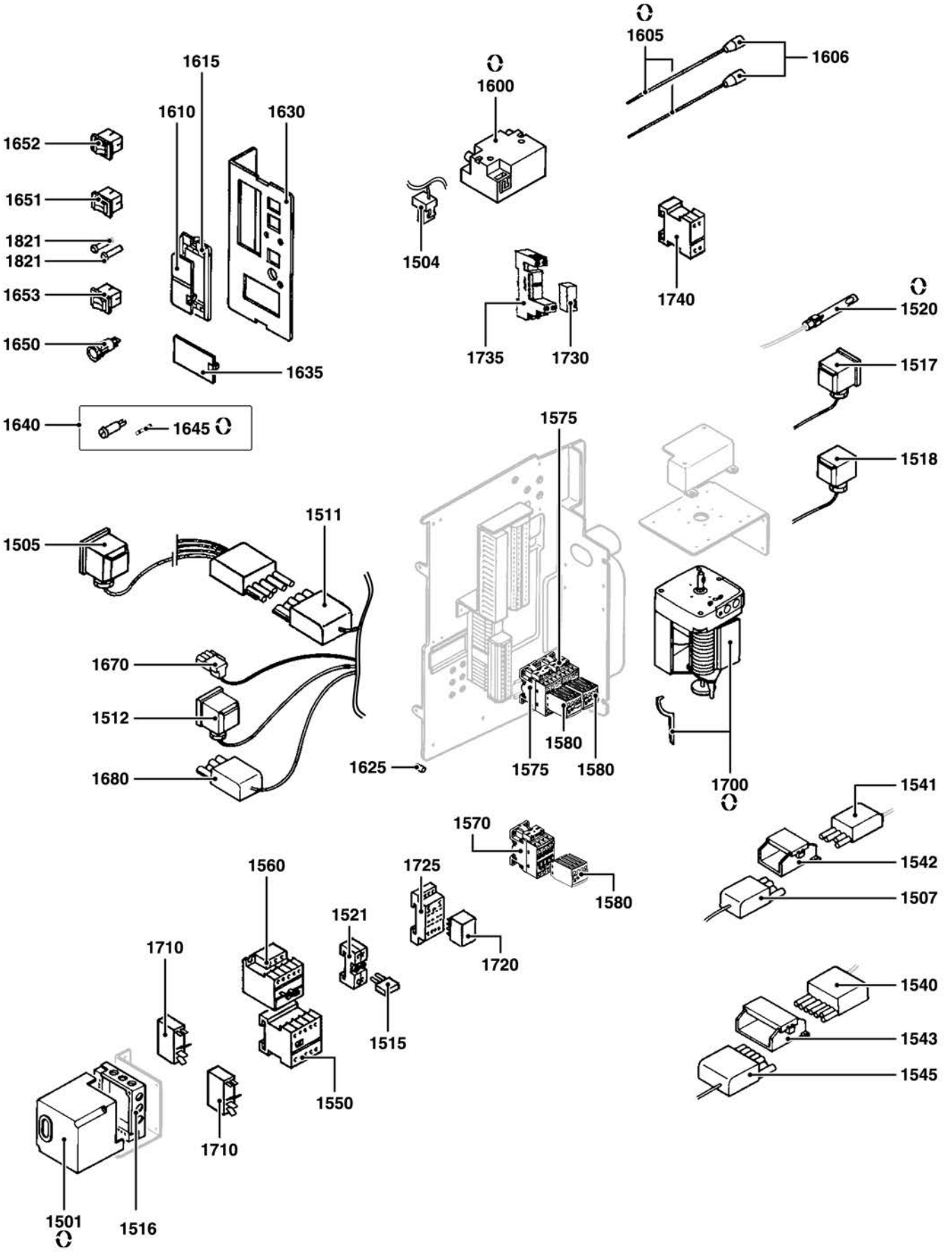
Dual-Fuel burner

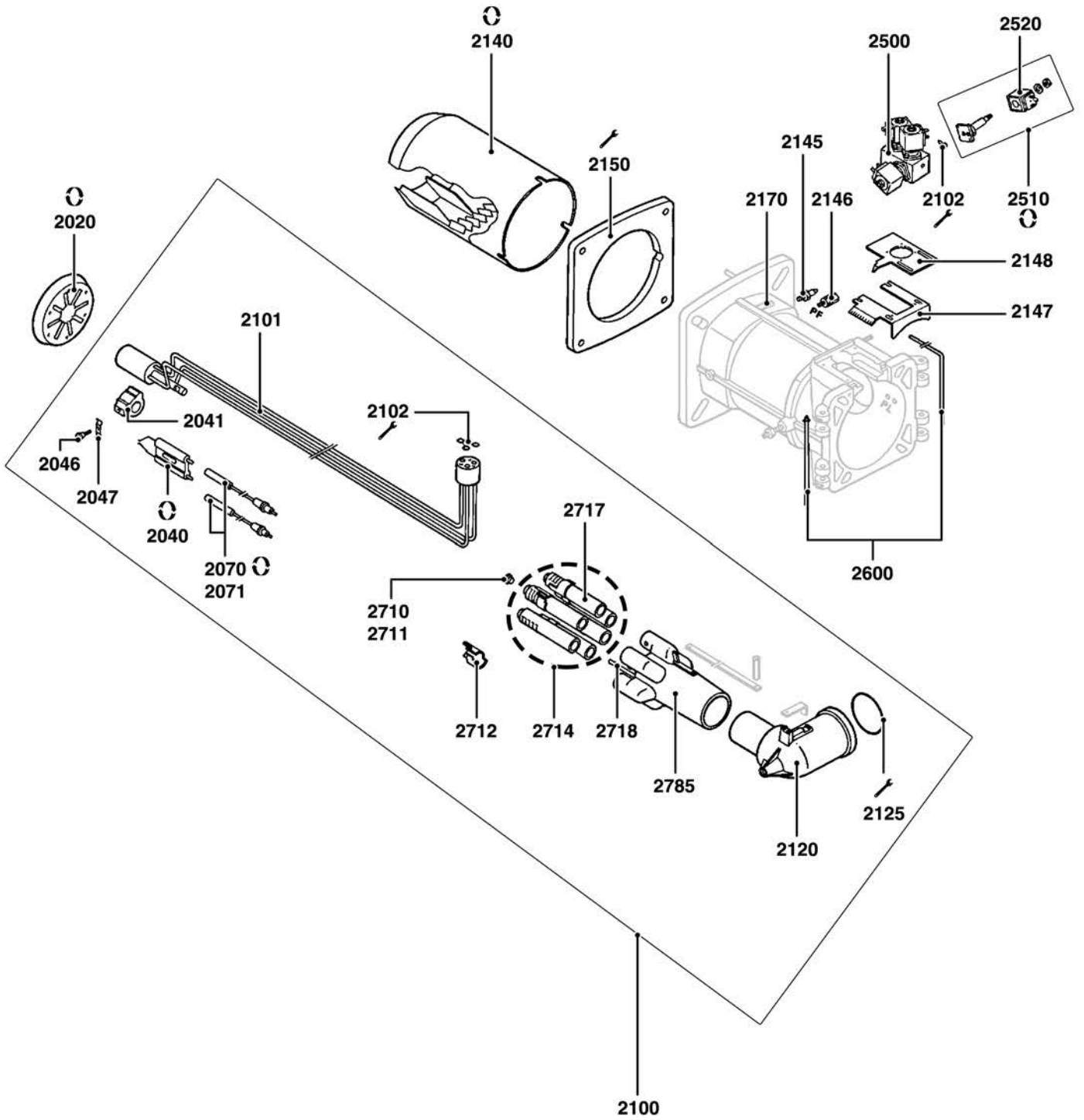
1	13007346	BB-VGL 06.1600 DP/TC	10-2000	-
2	13007347	BB-VGL 06.2100 DP/TC	07-2000	-
3	3835127	BB-VGL 06.2100 DP 110V-60HZ	11-2015	-
4	13005917	CH-D731 - T1/KN	10-2000	-
5	13005918	CH-D731 - T2/KL	10-2000	-
6	13005919	CH-D731 - T3/KM	10-2000	-
7	13005929	CH-D732 - T1/KN	07-2000	-
8	13005930	CH-D732 - T2/KL	07-2000	-
9	13005931	CH-D732 - T3/KM	11-2003	-
10	13014760	GT -D31 - 1 1/4 - RP2	08-2000	-
11	13006666	GT -D32 - 1 1/2 - RP2	08-2000	-
12	13014877	GT -D350 - 1 1/2 - RP2 /TC	08-2000	-
13	13006652	GT -D349 - 2 -RP2	08-2000	-
14	13020944	GT -S31 - 2 - RP2	09-2008	04-2016
15	3835128	GT -S31 - 2 - RP2	11-2015	-
16	13020853	GT -S32 - 65 - DN65	06-2006	04-2016
17	3832947	GT -S33 - 80 - DN80	10-2009	-

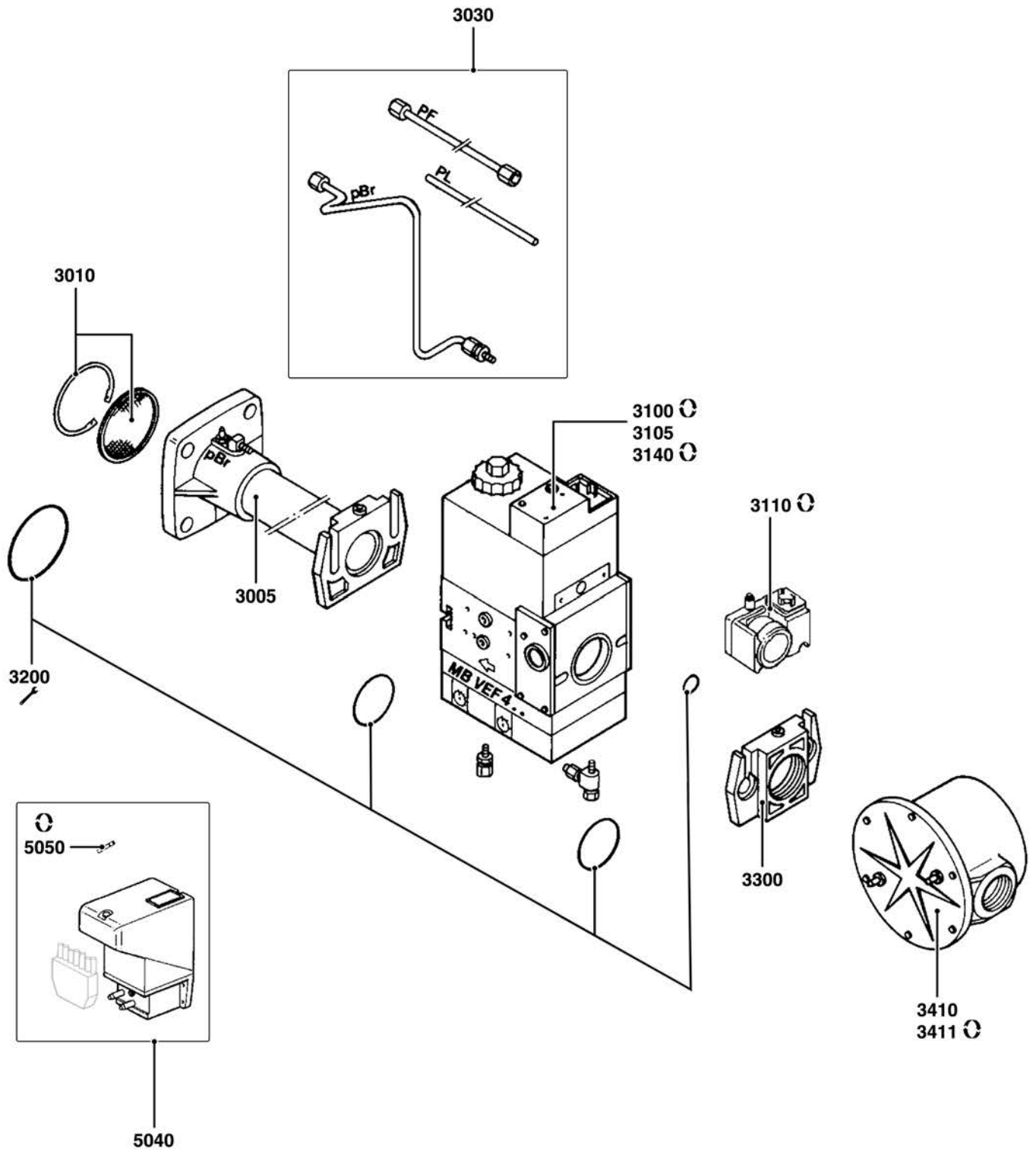
Col	Reference	Model type	Begin	End
-----	-----------	------------	-------	-----

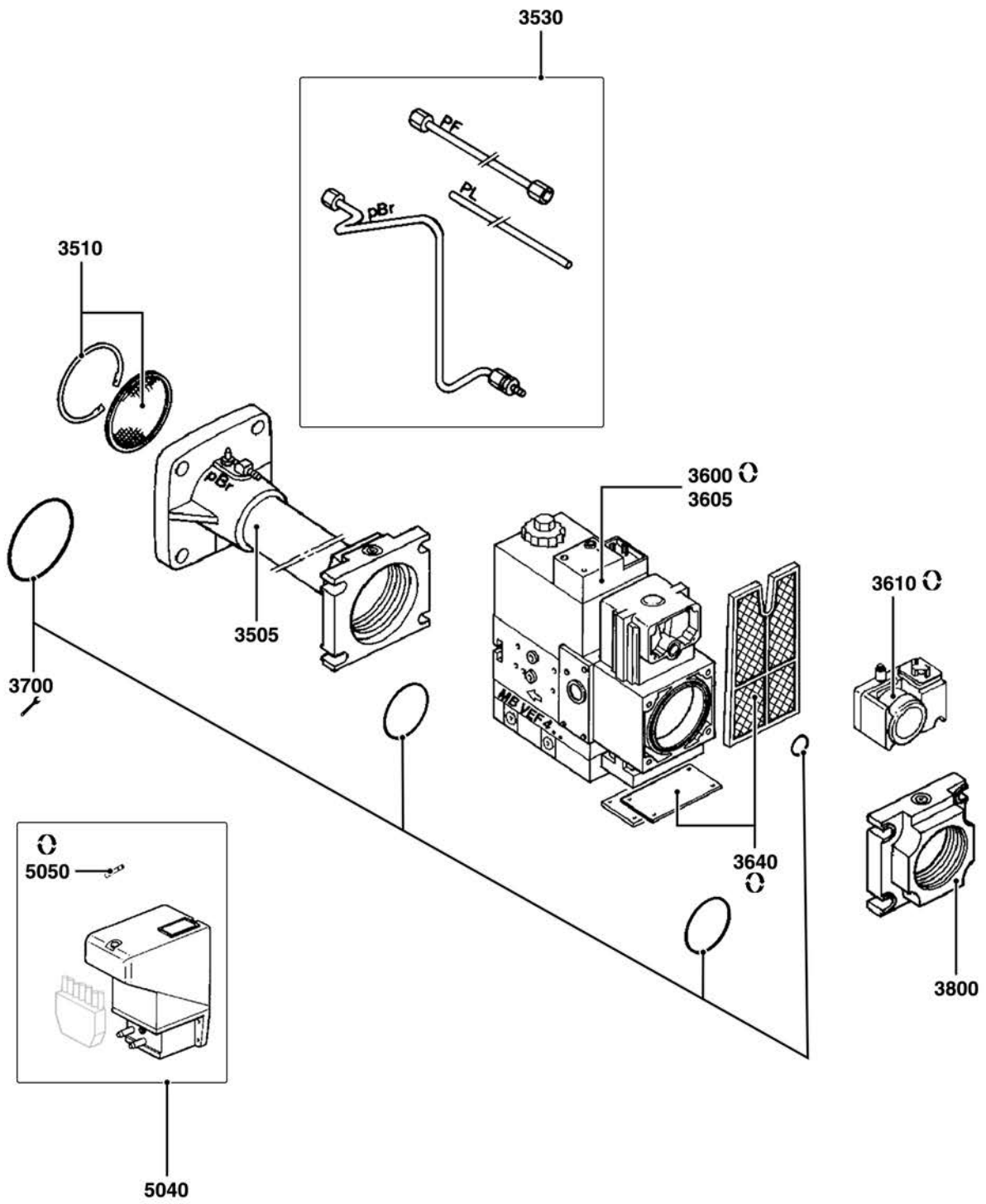


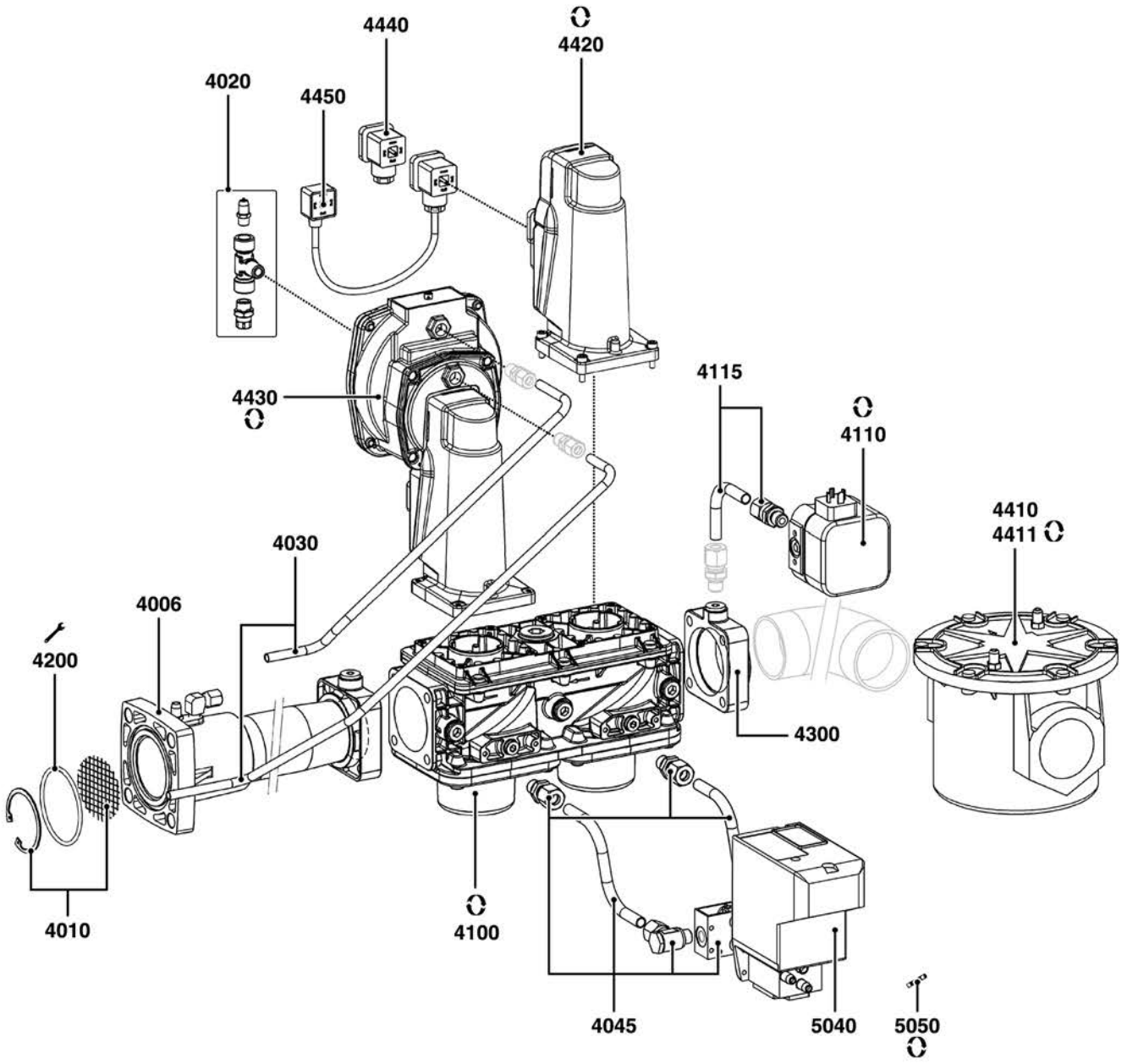
1500

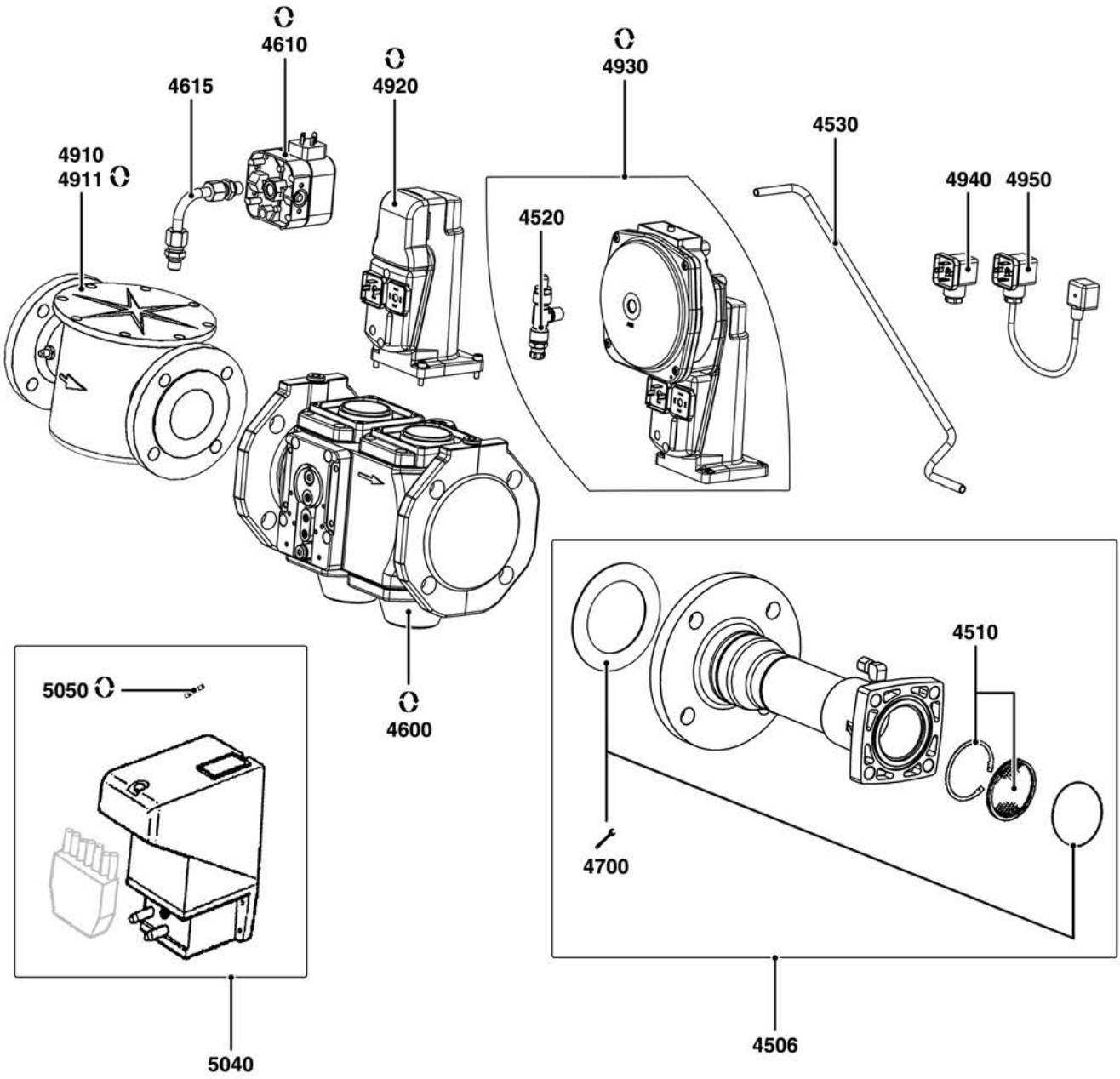












		DE NL	FR ES	IT	X
1005	13011565	LUFTKASTEN 318X414X167+KLAP+GRA.FED+DECK LUCHTKAST318X414X167+KLEP+GRIJS VEER+DEK	BOITE AIR 318X414X167+VOL.+RESS.GRIS+COU CAJA AIRE 318X414X167+VALV+MUELE GR+TAPA	CASSA ARIA318X414X167+SER.+MOLLA GRI+COP	1
	65326951	LUFTKASTEN 318X414X167+MET.-LUFTKL.+DECK LUCHTKAST 318X414X167+METAL LUCHTKL.+DEK	BOITE AIR 318X414X167+VOL.AIR MET.+COUV. CAJA AIRE 318X414X167+VALV.AIR.MET.+TAPA	CASSA ARIA 318X414X167+SERR.AR.META.+COP	1
1010	13009641	ISOLIERUNG-LUFTKASTEN ISOLATIE LUCHTKAST	ISOLATION BOITE A AIR AISLAMIENTO CAJA DE AIRE	ISOLAMENTO SCATOLA DELL'ARIA	1
1011	13009640	DICHTUNG/LUFTKASTE 109X6X7 PROFIL PAKKING/LUCHTKAST 109X6X7 GEPROFILEERD	JOINT/BOITE A AIR 109X6X7 PROFILE JUNTA/CAJA DE AIRE 109X6X7 PERFILADA	GUARNIZIONE/CASSA ARIA 109X6X7 PROFILATO	1
1012	13009642	DECKEL LUFTKASTEN DEKSEL LUCHTKAST	COUVERCLE BOITE A AIR TAPA CAJA DE AIRE	COPERCHIO SCATOLA DELL'ARIA	1
	65326223	DECKEL LUFTKASTEN DEKSEL LUCHTKAST	COUVERCLE BOITE A AIR TAPA CAJA DE AIRE	COPERCHIO SCATOLA DELL'ARIA	1
1026	13009748	LUFTLEITSCHAUFEL 148/162 4SCH. LUCHTRECICLAGE 148/162 4BL.	REDRESSEUR D'AIR 148/162 4AIL. RECTIFICADOR DE AIRE 148/162 4AL.	RADDRIZZATORE D'ARIA 148/162 4PAL.	1
1050	13014117	LUFTKLAPPE KPL. VOLLEDIGE LUCHTKLEP	VOLET D'AIR EQUIPE REJILLA DE AIRE EQUIPADA	SERRANDA DELL'ARIA EQUIPAGGIATA	1
	65326952	METALL-LUFTKLAPPE KPL. VOLLEDIGE METAL LUCHTKLEP	VOLET AIR METAL EQUIPE VALVULA AIRE METALICA EQUIPADA	SERRANDA ARIA IN METALLO EQUIPAGGIATA	1
1051	13011751	FEDER GRAU/LUFTKLAPPE/VERPACKT VEER GRIJS/ LUCHT	RESSORT GRIS/ AIR RESORTE GRIS/ AIRE	MOLLA GRIGIA/ ARIA	1
1055	13011835	KUPPLUNG LUFTKLAPPE/SQN-SQM EQ.L277 KOPPELING LUCHTKLEP/SQN-SQM VOLL. L277	ACCOUPEMENT VOLET AIR/SQN-SQM EQ.L277 ACOPL. REJILLA AIRE/SQN-SQM EQ.L277	ACCOPPIAM. SERRANDA ARIA/SQN-SQM EQ.L277	1
	65326954	KUPPLUNG METALL-LUFTKLAPPE/SQM L288 KOPPELING METAL LUCHTKLEP/SQM L288	ACCOUPEMENT VOLET AIR METAL/SQM L288 ACOPL. VALVULA AIRE METALICA/SQM L288	ACCOPPIAM.SERRANDA ARIA METALLO/SQM L288	1
1070	13009736	VENTILATORRAD D240X114 D24 VENTILATORRAD D240X114 d24	TURBINE D240X114 d24 TURBINA D240X114 d24	VENTOLA D240X114 d24	1
	13009737	VENTILATORRAD D250X114 D24 VENTILATORRAD D250X114 d24	TURBINE D250X114 d24 TURBINA D250X114 d24	VENTOLA D250X114 d24	1
1080	13014004	TUELLE DRAADGELEIDER	PASSE FILS PASACABLES	PASSAFILO	1
1100	13009655	BRENNERHAUBE VECTRON 05 U. V06 KPL. VOLLED. GRIJZE BRANDERKAP VECTRON05/06	CAPOT VECTRON 05 ET V06+VIS CUBIERTA VECTRON 05 Y V06 EQUIPADA	COFANO V05 E V06 EQUIPAGGIATO	1
1101	13009656	BESCHR.PLATTE SCHUETZHAUBE FRONTPLAAT	PLAQUETTE FRONTALE PLAQUETA FRONTAL	PLACCHETTA FRONTALE	1
1105	13009772	DICHTUNG/DECKEL-LEAK 10X3 PAKKING/DEKSEL-LEAK 10X3	JOINT/COUVERCLE-LEAK 10X3 JUNTA/TAPA-LEAK 10X3	GUARNIZIONE/COPERCHIO-LEAK 10X3	1
1109	13009659	KLARSICHTDECKEL-SCHUETZHAUBE DEKSEL BRANDERKAP	COUVERCLE CAPOT TAPA CUBIERTA	COPERCHIO COPERTURA	1
1110	13009658	ABDECKUNG/SCHUETZHAUBE-VERPACKT AFSLUITER/KAP(LFL.)/TERUGSTEL.	OBTURATEUR/CAPOT(LFL.)/REARME. OBTURADOR/CUBIERTA(LFL.)/RETABL.	OTTURATORE/COPERTURA(LFL.)/RIARMO	1
1111	13009657	FLACHKOPFSCHR M5X19 SPEZIAL BEVESTIGINGSSCHROEF BRANDERKAP	VIS FIXATION CAPOT TORNILLO FIJACIÓN CUBIERTA	VITE DI FISSAGGIO COPERTURA	1
1150	13015715	KONDENSATOR 12µF CONDENSATOR 12µF	CONDENSATEUR 12µF CONDENSADOR 12µF	CONDENSATORE 12µF	1
	65326967	KONDENSATOR 22µF 2P 3MM CONDENSATOR 22µF 2P 3MM	CONDENSATEUR 22µF 2P 3MM CONDENSADOR 22µF 2P 3MM	CONDENSATORE 22µF 2P 3MM	1
	65326970	KONDENSATOR 100µF CONDENSATOR 100µF	CONDENSATEUR 100µF CONDENSADOR 100µF	CONDENSATORE 100µF	1
1160	13009739	MOTOR 2,2KW230/400V D24+STECKER MOTOR 2,2KW230/400V D24+STEKKER	MOTEUR 2,2KW230/400V D24+PRISE MOTOR 2,2KW230/400V D24+TOMA	MOTORE 2,2KW230/400V D24+PRESA	1
	13009740	MOTOR 2,5 KW2307400V D241SRTECKER MOTOR 2,5KW230/400V D24+STEKKER	MOTEUR 2,5KW230/400V D24+PRISE MOTOR 2,5KW230/400V D24+TOMA	MOTORE 2,5KW230/400V D24+PRESA	1
	65301124	MOTOR 2,7KW 400/690V D24 +PLUG MOTOR 2,7KW 400/690V D24 +PLUG	MOTEUR 2,7KW 400/690V D24 +PLUG MOTOR 2,7KW 400/690V D24 +PLUG	MOTORE 2,7KW 400/690V D24 +PLUG	1
1165	13009807	MOTOR 0,45KW 230V D12,7 GMP MOTOR 0,45KW 230V D12,7 GMP	MOTEUR 0,45KW 230V D12,7 GMP MOTOR 0,45KW 230V D12,7 GMP	MOTORE 0,45KW 230V D12,7 GMP	1
	65300055	MOTOR 0,45KW 120V D12,7 GMP MOTOR 0,45KW 120V D12,7 GMP	MOTEUR 0,45KW 120V D12,7 GMP MOTOR 0,45KW 120V D12,7 GMP	MOTORE 0,45KW 120V D12,7 GMP	1
1170	13009806	KUPPLUNG PUMPE/MOTOR H-B KOPPELING POMP/MOTOR H-B	ACCOUPEMENT POMPE/MOTEUR H-B ACOPLAMIENTO BOMBA/MOTOR H-B	ACCOPPIAMENTO POMPA/MOTORE H-B	1
1175	13009802	ÖLPUMPE AJ6 CC 1004 STOOKOLIEPOMP AJ6 CC 1004	POMPE FIOUL AJ6 CC 1004 BOMBA FUEL AJ6 CC 1004	POMPA GASOLIO AJ6 CC 1004	1
1180	13014194	FILTERSET+DICHTUNG F.PUMPE AJ6 FILTER POMP AJ6	FILTRE POMPE AJ6 FILTRO BOMBA AJ6	FILTRO POMPA AJ6	1
1181	13014193	DICHTUNG/DECKEL-PUMPE SUN AJ PAKKING/DEKSEL-POMP SUN AJ	JOINT/COUVERCLE POMPE SUN AJ JUNTA/TAPA-BOMBA SUN AJ	GUARNIZIONE/COPERCHIO-POMPA SUN AJ	1
1200	13009815	OELSCHLAUCH M16x1,5-3/8 Z L1500 OLIESLANG VL06/M16 X 1,5-3/8"	FLEXIBLE FIOUL L 1.5M MANGUERA FUEL L 1.5M	TUBO FLESSIBILE GASOLIO L 1.5M	1
1201	13014419	DOPPELNIPPEL G1/4Z M16X1,5 VERBINDING/SLANG G1/4/M16x1,5	RACCORD/FLEXIBLE G1/4/M16X1,5 EMPALME/MANGUERA G1/4/M16X1,5	RACCORDO/TUBO FLESSIBILE G1/4/M16X1,5	1
1202	13014676	DOPPELNIPPEL G1/4Z M14X1,5 VERBINDING/SLANG G1/8/M14x1,5	RACCORD/FLEXIBLE G1/8/M14X1,5 EMPALME/MANGUERA G1/8/M14X1,5	RACCORDO/TUBO FLESSIBILE G1/8/M14X1,5	1

		<table border="1"><tr><td>DE</td></tr><tr><td>NL</td></tr></table>	DE	NL	<table border="1"><tr><td>FR</td></tr><tr><td>ES</td></tr></table>	FR	ES	<table border="1"><tr><td>IT</td></tr><tr><td></td></tr></table>	IT		
DE											
NL											
FR											
ES											
IT											
1205	13009809	OELSCHLAUCH M14X1,5X2 L1300 SLANG M14X1,5X2 L1300	FLEXIBLE M14X1,5X2 L1300 MANGUERA M14X1,5X2 L1300	TUBO FLESSIBILE M14X1,5X2 L1300	1						
1240	13009738	DIFFERENTIALDRUCKNIPPEL DRUKAANSLUITING	PRISE DE PRESSION TOMA DE PRESIÓN	PRESA DI PRESSIONE	1						
1260	13010111	LUFTDRUCKWÄCHTER LGW 3 A2 0,4-3MB DIN LUCHTDRUKREGELAAR LGW 3 A2 0,4-3MB DIN	MANOSTAT AIR LGW 3 A2 0,4-3MB DIN MANOSTATO AIRE LGW 3 A2 0,4-3MB DIN	PRESSOSTATO ARIA LGW 3 A2 0,4-3MB DIN	1						
1280	13010008	SCHAUGLAS KPL. KIJKGLAS VG6M /KL451/EK06/EK6/7/8/9	VERRE DE REGARD VISOR	VISORE DI CALDAIA	1						
1290	13010055	DICHTUNG/GEHAUSE-KOPF D218X8/5X10 PAKKING/BRANDERHUIS-KOP D218X8/5X10	JOINT/CARTER-TETE D218X8/5X10 JUNTA/CÁRTER-CABEZA D218X8/5X10	GUARNIZIONE/FUSIONE-TESTA D218X8/5X10	1						
1300	13014118	DECKEL BG+SCHAUGLAS DEKSEL VLAMINDICATOR VOLL.	COUVERCLE VOYANT FLAMME EQU. TAPA TESTIGO DE LLAMA EQ.	COPERCHIO INDICATORE DI FIAMMA EQU.	1						
1501	13011763	FEUERUNGSAUTOMAT LFL 1.333 BRANDERAUTOMAAT LFL 1.333	COFFRET LFL 1.333 PROGRAMADOR LFL 1.333	APPARECCHIATURA LFL 1.333	1						
	65325712	FEUERUNGSAUTOMAT LFL 1.335 A17 110/60 BRANDERAUTOMAAT LFL 1.335 A17 110/60	COFFRET LFL 1.335 A17 110/60 PROGRAMADOR LFL 1.335 A17 110/60	APPARECCHIATURA LFL 1.335 A17 110/60	1						
1504	13009773	KABEL ZÜNDTRAFO+STCK 2P 2X0,75 L420 ONTSTEKINGSTRAFOKABEL+STCK2P 2X0,75 L420	CABLE ALLUMEUR+PRISE 2P 2X0,75 L420 CABLE ENCENDEADOR+TOMA 2P 2X0,75 L420	CAVO TRASFO ACCENS.+PRESA 2P 2X0,75 L420	1						
1505	13014716	KABEL ÖLVENTIL+DIN/WIE.5P L1500VS+1+2+3 MAG.KLEPKABEL+P.DIN/WI.5P L1500VS+1+2+3	CABLE EL.VANNE+P.DIN/WI.5P L1500VS+1+2+3 CABLE EL.VALV.+T.DIN/WI.5P L1500VS+1+2+3	CAVO EL.VALVOLA+DIN/WIE.5P L1500VS+1+2+3	1						
1507	13009669	KABEL+STECKER 4P/3X0,75 L620 KABEL+STCK4P/3X0,75 L620	CABLE+PRISE 4P/3X0,75 L620 CABLE+TOMA 4P/3X0,75 L620	CAVO+PRESA 4P/3X0,75 L620	1						
1511	13014120	KABEL ÖLVENTIL+STCK WIE. 5P 5X0,75 L1250 MAGNEETKLEPKABEL+ST.WIE. 5P/5X0,75 L1250	CABLE EL.VANNE+PRISE WIE. 5P/5X0,75L1250 CABLE EL.VALV.+TOMA WIE. 5P 5X0,75 L1250	CAVO EL.VALVOLA+P. WIE. 5P 5X0,75 L1250	1						
1512	13009799	KABEL LDW+STECKER DIN/3X0,75 L1200 L.DRUKSCHAKEL.KABEL+STCKDIN/3X0,75 L1200	CABLE MANO AIR+PRISE DIN/3X0,75 L1200 CABLE PRESOST.AIRE+TOMA DIN/3X0,75 L1200	CAVO PRESSOST.ARIA+PRESA DIN/3X0,75L1200	1						
1515	13009676	VERBINDUNGSSTECKER-VERPACKT MEETBRUG [µA DC]	PONT DE MESURE [µA DC] PUENTE DE MEDICIÓN [µA DC]	PONTE DI MISURA [µA DC]	1						
1516	13009176	AGM410490550 (SOCKEL LFL) AGM410490550 (SOKKEL LFL)	AGM410490550 (SOCLE LFL) AGM410490550 (ZÓCALO LFL)	AGM410490550 (ZOCOLO LFL)	1						
1517	13011839	KABEL GDW.+STCK DIN/4X0,75 L2000 (X3) G.DRUKSCHAKEL.KABEL+DIN/4X0,75 L2000(X3)	CABLE MANO GAZ+PRISE DIN/4X0,75L2000(X3) CABLE PRES.AIRE+TOM./DIN/4X0,75 L2000(X3)	CAVO PRESSOST.GAS+P.DIN/4X0,75 L2000(X3)	1						
1518	13009666	KABEL GASVENT.+STCK DIN/3X0,75 L2000(X4) KABEL GASKLEP+DIN/3X0,75 L2000(X4)	CABL.VANNE GAZ+PRISE DIN/3X0,75L2000(X4) CABLE VALV.GAS+TOM.DIN/3X0,75 L2000(X4)	CAVO VALVOLA GAS+P.DIN/3X0,75 L2000(X4)	1						
1520	13012980	ZELLE QRA 2 FLANGE+COLLAR CEL QRA 2 FLENS+KRAAG	CELLULE QRA 2 FLANGE+COLLAR CELDA QRA 2 BRIDA+COLLAR	CELLULA QRA 2 FLANGIA+COLLARE	1						
1521	13014121	DICHTUNGSBLOCK M6/8,4 AANSLUITBLOKKERE M6/8,4	BLOC DE JONCTION M6/8,4 BLOQUE DE UNIÓN M6/8,4	BLOCCHETTO DI COLLEGAMENTO M6/8,4	1						
1540	13009670	STECKER 7POL SCHW/BRAUN+ZUGENTLUNMONT WIELAND CONNECTORS 7 P MANELIJK	FICHE WIELAND 7P MALE WIELAND ENCHUFE 7 POLOS	PRESA WIELAND 7P.	1						
1541	13009667	WIELANDST.STECKERTEIL 4-POL-GRUENE WIELAND-STEKKER 4P.MANNELIJK GROENE	PRISE WIELAND 4P.MALE VERT CLAVIJA WIELAND 4P.MACHO	SPINA WIELAND 4P.MASCHIO VERDE	1						
1542	13009668	HAUBE/4P. WIELAND-STECKER ST18/4 BRANDERKAP/WIELAND-STEKKER 4P.ST18/4	CAPOT/PRISE WIELAND 4P.ST18/4 CUBIERTA/TOMA WIELAND 4P.ST18/4	COPERTURA/PRESA WIELAND 4P.ST18/4	1						
1543	13009671	HAUBE/7P. WIELAND-STECKER BRANDERKAP/WIELAND-STEKKER 7P	CAPOT/PRISE WIELAND 7P CUBIERTA/TOMA WIELAND 7P	COPERTURA/PRESA WIELAND 7P	1						
1545	13009672	KABEL+STECKER 7P/7X0,75 L620 KABEL+STCK7P/7X0,75 L620	CABLE+PRISE 7P/7X0,75 L620 CABLE+TOMA 7P/7X0,75 L620	CAVO+PRESA 7P/7X0,75 L620	1						
1550	13009778	SCHUETZ LC1 K09 10M7 SCHNEIDER SCHAKELAAR	CONTACTEUR CONTACTOR	CONTATTORE	1						
1560	13009746	MOTORSCHUETZRELAIS LR2-K0314 5.5-8.0A THERMISCH RELAIS LR2K 5,5-8,0A	RELAIS THERMIQUE LR2K 5.5-8.0A RELÉ TÉRMICO LR2K 5.5-8.0A	RELÈ TERMICO LR2K 5.5-8.0A	1						
1570	65301252	SCHALTSCHÜTZ NF31E-13 SCHAKELAAR NF31E-13	CONTACTEUR NF31E-13 CONTACTOR NF31E-13	CONTATTORE NF31E-13	1						
1575	65301251	SCHALTSCHÜTZ AF09-30-10-13 SCHAKELAAR AF09-30-10-13	CONTACTEUR AF09-30-10-13 CONTACTOR AF09-30-10-13	CONTATTORE AF09-30-10-13	1						
1580	65301253	ZEITRELAIS TEF4-ON (0,1/100S) TIJDSCHAKELAAR TEF4-ON (0,1/100S)	TEMPORISATEUR TEF4-ON (0,1/100S) TEMPORIZADOR TEF4-ON (0,1/100S)	TEMPORIZZATORE TEF4-ON (0,1/100S)	1						
1600	13009663	ZUENDTRAFO EBI 2X7,5 230V ONTSTEKINGSTRAFO EBI 2X7,5 230V	ALLUMEUR EBI 2X7,5 230V ENCENDEADOR EBI 2X7,5 230V	TRASFORMATORE ACCENSIONE EBI 2X7,5 230V	1						
	65301214	ZUENDTRAFO EBI 2X8 120V L410 ONTSTEKINGSTRAFO EBI 2X8 120V L410	ALLUMEUR EBI 2X8 120V L410 ENCENDEADOR EBI 2X8 120V L410	TRASFORMATORE ACCENS. EBI 2X8 120V L410	1						
1605	13009743	ZÜNDKABEL BERU D6,35/D4 L750X2 KOERPER ONTSTEKINGSKABEL D6,35/D4 L750X2 BODY	CABLE ALLUMAGE D6,35/D4 L750X2 CORPS CABLE ENCENDIDO D6,35/D4 L750X2 BODY	CAVO ACCENSIONE D6,35/D4 L750X2 CORPO	1						
1606	13010068	RUNDSTECKER D6,4 02,9 RP (X2) BOUGIEDOP BERU 7 MM MAN RECHT	FICHE RONDE CABLE ALU.ION X2 CLAVIJA REDONDA CABLE ALU.ION X2	SPINA ROTONDA CAVO ACCENS.ION X2	1						
1610	13009661	ABDECKUNG/SCHNITTSTELLE AFSLUITER / BEDIENINGSPANEEL	OBTURATEUR / PUPITRE OBTURADOR / TABLERO	OTTURATORE / QUADRO	1						
1615	13009662	SCHNITTSTELLE/REGUL. HOUDER REGELINRICHTING	SUPPORT REGULATION SOPORTE REGULACIÓN	SUPPORTO REGOLAZIONE	1						
1625	13009625	TUELLE ZUEND-/IONISATIONSKABEL-VERPACKT RUBBEREN DOP/KABEL ALLU	CAPUCHON CAOUTCHOUC/CABLE ALLU CAPUCHÓN DE CAUCHO/CABLE ENCENDIDO	CAPPUCCIO IN GOMMA/CAVO ACCENSIONE	1						

		DE NL	FR ES	IT	X
1630	13014119	HALTER/BEDIENFELDMODUL BEDIENINGSPANEEL ZEEFDRIUK	PUPITRE COMMANDE SERIGRAPHIE TABLERO MANDO SERIGRAFIADO	QUADRO DI COMANDO SERIGRAFATO	1
1635	13009790	ABDECKUNG/ENTRIEGELUNG AFSLUITER DOORSCHIJNEND/BEDIENINGSPAN.	OBTURATEUR TRANSLUCIDE/PUPITRE OBTURADOR TRANSLÚCIDO/TABLERO	OTTURATORE TRASLUCIDO/QUADRO	1
1640	13016457	SICHERUNGSHALTER+ SICHERUNG 6,3A ZEKERINGHOUDER+ZEKERING 6,3A	PORTE FUSIBLE+FUSIBLE 6.3A PORTA FUSIBLE+FUSIBLE 6.3A	PORTAFUSIBILE + FUSIBILE 6.3A	1
1645	3333550051	FEINSICHERUNG 6.3A TRAEG D5X20 ZEKERING 5X20 T6,3A 250V	FUSIBLE 5X20 T6,3A 250V FUSIBLE 5X20 T6,3A 250V	FUSIBILE 5X20 T6,3A 250V	1
1650	13014010	BETRIEBSSCHALTER M/A DRUKKNOPSCHAK. LICHTG. GROEN AAN/UIT	INTERRUPTEUR POUS.LUM.VERT M/A INTERRUPTOR PULS.LUM.VERDE M/A	INTERR. PULS. LUM. VERDE ACCENS./SPEGN.	1
1651	13009801	DOPPELTER 2-STUFEN-SCHALTER DUBBELE SCHAKELAAR 2 POS.	INTERRUPTEUR DOUBLE 2 POS. INTERRUPTOR DOBLE 2 POS	INTERRUTTORE DOPPIO A 2 POS.	1
1652	13009801	DOPPELTER 2-STUFEN-SCHALTER DUBBELE SCHAKELAAR 2 POS.	INTERRUPTEUR DOUBLE 2 POS. INTERRUPTOR DOBLE 2 POS	INTERRUTTORE DOPPIO A 2 POS.	1
1653	13009801	DOPPELTER 2-STUFEN-SCHALTER DUBBELE SCHAKELAAR 2 POS.	INTERRUPTEUR DOUBLE 2 POS. INTERRUPTOR DOBLE 2 POS	INTERRUTTORE DOPPIO A 2 POS.	1
1670	13016481	KABEL MOTOR+STECKER 3P 90° 3X0,75 L1700 KABEL MOTOR+STCK3P 90° 3X0,75 L1700	CABLE MOTEUR+PRISE 3P 90° 3X0,75 L1700 CABLE MOTOR+TOMA 3P 90° 3X0,75 L1700	CAVO MOTORE+PRESA 3P 90° 3X0,75 L1700	1
1680	65301000	KABEL MOTOR+STECKER WIE. 4P 4X1,5 L560 KABEL MOTOR+STCKWIE. 4P 4X1,5 L560	CABLE MOTEUR+PRISE WIE. 4P 4X1,5 L560 CABLE MOTOR+TOMA WIE. 4P 4X1,5 L560	CAVO MOTORE+PRESA WIE. 4P 4X1,5 L560	1
1700	13014677	STELLANTRIEB SQM 50.481 A2 REGELMOTOR SQM 50.481 A2	SERVOMOTEUR SQM 50.481 A2 SERVOMOTOR SQM 50.481 A2	SERVOMOTORE SQM 50.481 A2	1
	65300749	STELLANTRIEB SQM 50.481 A1 REGELMOTOR SQM 50.481 A1	SERVOMOTEUR SQM 50.481 A1 SERVOMOTOR SQM 50.481 A1	SERVOMOTORE SQM 50.481 A1	1
1710	13009080	RELAIS WHU F-7-H 1UMSCHALTER RELAIS WHU	RELAIS WHU WHU RELÉ	RELÈ WHU	1
1720	64211221	RELAIS FIN 4RT 55.34.8.230.0040 RELAIS FIN 4RT 55.34.8.230.0040	RELAIS FIN 4RT 55.34.8.230.0040 RELE FIN 4RT 55.34.8.230.0040	RELE FIN 4RT 55.34.8.230.0040	1
1725	13009796	RELAISOCKEL 94.74 FINDER SOKKEL RELAIS FINDER 55.34	SOCLE RELAIS FINDER 55.34 ZÓCALO RELÉ FINDER 55.34	ZOCCOLO RELÈ FINDER 55.34	1
1730	13017721	RELAIS 40.52.8.230.0000 250V FINDER RELAIS + CLIP	RELAIS + CLIP RELÉ + CLIP	RELÈ + CLIP	1
1735	13017720	RELAISOCKEL 95.05 FINDER HOUDER RELAIS FINDER 95.05	SUPPORT RELAIS FINDER 95.05 SOPORTE RELÉ FINDER 95.05	SUPPORTO RELÈ FINDER 95.05	1
1740	13010452	ZEITRELAIS 80.11.0.240 0.1-12MIN FINDER TIJDSCHAKELAAR	TEMPORISATEUR TEMPORIZADOR	TEMPORIZZATORE	1
1821	13011764	GRÜNE KONTROLLLEUCHTE CONTROLELAMPJE GROEN	VOYANT VERT TESTIGO VERDE	INDICATORE VERDE	1
2020	13009712	STAUSCHEIBE D155/50 8SL R 7DRIL. STUWPLAAT D155/50 8SL R 7DRIL.	DEFLECTEUR D155/50 8SL R 7DRIL. DEFLECTOR D155/50 8SL R 7DRIL.	DIFFUSORE D155/50 8SL R 7DRIL.	1
	13018284	STAUSCHEIBE D168/50 8SL 6DRIL. STUWPLAAT D168/50 8SL 6DRIL.	DEFLECTEUR D168/50 8SL 6DRIL. DEFLECTOR D168/50 8SL 6DRIL.	DIFFUSORE D168/50 8SL 6DRIL.	1
2040	13009726	ZUENDELEKTROD.27X55 d6,4D2X23 45° +SCHR. ELEKTRODEBLOK 27X55 d6,4D2X23 45°+SCHR.	BLOC-ELECTRODES 27X55 d6,4D2X23 45° +VIS BLOQ.ELECTRO.27X55 d6,4D2X23 45°+TORNIL.	BLOC.ELETTRODI 27X55 d6,4D2X23 45° +VITE	1
2041	13010050	HALTER ZUENDELEKTRODE/IONISATIONSSTAB ELEKTRODEHOUDER	SUPPORT/SONDE IONISATION SOPORTE ELECTRODO	SUPPORTO ELETTRODO	1
2046	13010049	SCHRAUBE M4-SPEZIAL KRAAGSCHROEF M4/ELEKTRODEBLOK	VIS EPAULÉE M4/BLOC-ELECTRODES TORN.ALLEN M4/BLOQUE-ELECTRODOS	VITE CON SPALLAMENTO M4/BLOCCO ELETTRODI	1
2047	13009725	FLANSCH 20X11X2,6 FIX. ZUENDELEKTRODE FLENS 20X11X2,6 FIX. ONTSTEKINGSPEN	BRIDE 20X11X2,6 FIX. ELECTRODE BRIDA 20X11X2,6 FIX. ELECTRODO	FLANGIA 20X11X2,6 FIX. ELETTRODO	1
2070	13009727	ZÜNDKABEL BERU D6,35/D6,35 L950 X2 KOPF ONTSTEKINGSKABEL D6,35/D6,35 L950 X2HEAD	CABLE ALLUMAGE D6,35/D6,35 L950 X2 TETE CABLE ENCENDIDO D6,35/D6,35 L950 X2 HEAD	CAVO ACCENSIONE D6,35/D6,35 L950X2 TESTA	1
2071	13010056	RUNDER STECKER ZÜNDKABEL ION X2 RONDE STEKKER KABEL ALU.ION X2	FICHE RONDE D6.4 CLAVIJA REDONDA CABLE ALU.ION X2	SPINA ROTONDA CAVO ACCENS.ION X2	1
2100	13018945	VERBRENNUNGSORGANE T1/KN VERBRANDINGSAPPARATUUR T1/KN	ORGANES DE COMBUSTION T1/KN ÓRGANOS DE COMBUSTIÓN T1/KN	ORGANI DI COMBUSTIONE T1/KN	1
	13018946	VERBRENNUNGSORGANE T2/KL VERBRANDINGSAPPARATUUR T2/KL	ORGANES DE COMBUSTION T2/KL ÓRGANOS DE COMBUSTIÓN T2/KL	ORGANI DI COMBUSTIONE T2/KL	1
	13018947	VERBRENNUNGSORGANE T3/KM VERBRANDINGSAPPARATUUR T3/KM	ORGANES DE COMBUSTION T3/KM ÓRGANOS DE COMBUSTIÓN T3/KM	ORGANI DI COMBUSTIONE T3/KM	1
2101	13014682	D-STANGE 3 DUESEN L526 KN SPROEILIJN/HOUDER L526	LIGNE GICLEUR/SUPPORT L526 LÍNEA PULVERIZADOR/SOPORTE L526	LINEA PORTA UGELLO/SUPPORTO L526	1
	13014683	D-STANGE 3 DUESEN L726 KL SPROEILIJN/HOUDER L726	LIGNE GICLEUR/SUPPORT L726 LÍNEA PULVERIZADOR/SOPORTE L726	LINEA PORTA UGELLO/SUPPORTO L726	1
	13014684	D-STANGE 3 DUESEN L626 KM SPROEILIJN/HOUDER L626	LIGNE GICLEUR/SUPPORT L626 LÍNEA PULVERIZADOR/SOPORTE L626	LINEA PORTA UGELLO/SUPPORTO L626	1
2102	13009812	O-RING D6X2 O-RING D6X2	O-RING D6X2 O-RING D6X2	O-RING D6X2	1
2120	13009732	GASBOGEN + ROHR T1/KN ELLEBOOG GAS + PIJP T1/KN	COUDE GAZ + TUBE T1/KN CODO GAS+TUBO T1/KN	GOMITO GAS + TUBO T1/KN	1
	13009733	GASBOGEN + ROHR T2/KL ELLEBOOG GAS + PIJP T2/KL	COUDE GAZ + TUBE T2/KL CODO GAS+TUBO T2/KL	GOMITO GAS + TUBO T2/KL	1

	☰	XXXXXXXXXX	DE	FR	IT	X
			NL	ES		
		13009734	GASBOGEN + ROHR T3/KM ELLEBOOG GAS + PIJP T3/KM	COUDE GAZ + TUBE T3/KM CODO GAS T3/KM	GOMITO GAS + TUBO T3/KM	1
2125		13009731	O-RING D75X4 O-RING D75X4	O-RING D75X4 O-RING D75X4	O-RING D75X4	1
2140		13009713	BRENNERROHRD227/172/190L343TURBU.D171 VLAMBUIIS D227/172/190L343TURBU.D171	TUBE DE FLAMMED227/172/190L343TURBU.D171 TUBO DE LLAMA D227/172/190L343TURBU.D171	TUBO FIAMMA D227/172/190L343TURBU.D171	1
		13009714	BRENNERROHRD227/172/190L543TURBU.D171 VLAMBUIIS D227/172/190L543TURBU.D171	TUBE DE FLAMMED227/172/190L543TURBU.D171 TUBO DE LLAMA D227/172/190L543TURBU.D171	TUBO FIAMMA D227/172/190L543TURBU.D171	1
		13009715	BRENNERROHRD227/172/190L443TURBU.D171 VLAMBUIIS D227/172/190L443TURBU.D171	TUBE DE FLAMMED227/172/190L443TURBU.D171 TUBO DE LLAMA D227/172/190L443TURBU.D171	TUBO FIAMMA D227/172/190L443TURBU.D171	1
		13009716	BRENNERROHRD227/160/205L343TURBU.D171 VLAMBUIIS D227/160/205L343TURBU.D171	TUBE DE FLAMMED227/160/205L343TURBU.D171 TUBO DE LLAMA D227/160/205L343TURBU.D171	TUBO FIAMMA D227/160/205L343TURBU.D171	1
		13009717	BRENNERROHRD227/160/205L543TURBU.D171 VLAMBUIIS D227/160/205L543TURBU.D171	TUBE DE FLAMMED227/160/205L543TURBU.D171 TUBO DE LLAMA D227/160/205L543TURBU.D171	TUBO FIAMMA D227/160/205L543TURBU.D171	1
		13009718	BRENNERROHRD227/160/205L443TURBU.D171 VLAMBUIIS D227/160/205L443TURBU.D171	TUBE DE FLAMMED227/160/205L443TURBU.D171 TUBO DE LLAMA D227/160/205L443TURBU.D171	TUBO FIAMMA D227/160/205L443TURBU.D171	1
2145		13009722	MESSNIPPEL GERADE R1/8Z-VERPACKT DRUKAANSLUITING R1/8	PRISE PRESSION R1/8 TOMA PRESIÓN R1/8	PRESA PRESSIONE R1/8	1
2146		13009721	VERSCHRAUBUNG PF + PL VERBINDING RECHT	RACCORD DROIT EMPALME RECTO	RACCORDO DESTRO	1
2147		13009816	ABDICHTUNGSPLATTE.RTC EQ. H-G PLAAT GESL.RTC VOLL. H-G	PLAQUE FERM.RTC EQ. H-G PLACA CIERRE RTC EQ. H-G	PIASTRA DI CHIUSURA RTC EQ. H-G	1
2148		13009817	ABDECKUNG DÜSENZULEITUNG H-B DEKSEL SPROEIERLIJN H-B	COUVERCLE LIGNE GICLEUR H-B TAPA LÍNEA PULVERIZADOR H-B	COPERCHIO LINEA PORTA UGELLO H-B	1
2150		13009719	DICHTUNG/BRENNERFLANSCH 335X326X3 D250 PAKKING/OPHANGFLENS 335X326X3 D250	JOINT/BRIDE BRULEUR 335X326X3 D250 JUNTA/BRIDA QUEMADOR 335X326X3 D250	GUARNIZIONE/FLANGIA BRUC. 335X326X3 D250	1
2170		13009723	SCHRAUBEN-SET BRENNERROHR M8X20/VERPACKT KIT BEV.SCHROEF BRANDERBUIIS (X3)	KIT VIS FIX. TUBE BRULEUR (X3) KIT TORN.FIJ. TUBO QUEMADOR (X3)	KIT VITI FISS. TUBO BRUCIATORE (X3)	1
2500		13009811	HYDRAUL.VERTEILER (3ALL) HYDRAUL. VERDELER VOLL. (3ALL)	DISTRIBUTEUR HYDRAULIQUE FIOUL EQ.(3ALL) DISTRIBUIDOR HIDRÁUL.EQ. (3ENC)	DISTRIBUTTORE IDRAULICO GASOLIO 3 STAD.	1
2510		13009813	ELEKTROVENTIL LUC 121F63 2/2NF9W MAGNEETKLEP LUC 121F63 2/2NF9W	ELECTROVANNE LUC 121F63 2/2NF9W ELECTROVÁLV. LUC 121F63 2/2NF9W	ELETTROVALVOLA LUC 121F63 2/2NF9W	1
2520		13009814	SPULE LUC 9W SPOEL LUCIFER 9W	BOBINE LUCIFER 9W BOBINA LUCIFER 9W	BOBINA LUCIFER 9W	1
		65300750	SPULE PAR 32MM 115V 14W SPOEL PAR 32MM 115V 14W	BOBINE PAR 32MM 115V 14W BOBINA PAR 32MM 115V 14W	BOBINA PAR 32MM 115V 14W	1
2600		13009724	WELLE/SCHARNIER GEHAU.D12X210+D12X83 90° AS / HINGE BODY-HEAD D12X210+D12X83 90°	AXE/CHARN. CORPS-TETE D12X210+D12X83 90° EJE / HINGE BODY-HEAD D12X210+D12X83 90°	PERNO/CERNIERA CORPO D12X210+D12X83 90°	1
2710		13010048	SCHRAUBENSET E-GAS ACCESSOIREKIT AARDGAS	ACCESS. KIT GAZ NATUREL ACCES. KIT GAS NATURAL	ACCESS. KIT GAS NATURALE	1
2711		13007041	SCHRAUBEN-SET F-GAS ACCESSOIREKIT PROPAAAN	ACCESS. KIT PROPANE ACCES. KIT PROPANO	ACCESS. KIT PROPANO	1
2712		13010046	SCHIEBEHUELSEN-SET BRENNSTOFFKOPF GASHULS VG06..DP /M SET	OBTURATEUR/DIFFUSEUR GAZ OBTURADOR/DIFUSOR	OTTURATORE/DIFFUSORE	1
2714		13009729	GASDUESEN-SET VERDELEERS	DIFFUSEURS DIFUSORES	DIFFUSORI	1
2717		13014073	GASDUESE/HALTERUNG/ELEKTRODE VERDELER ELEKTRODEHOUDER	DIFFUSEUR SUP. ELECTRODE DIFUSOR SOP. ELECTRODO	DIFFUSORE SUPPORTO ELETTRODO	1
2718		13014075	GASDUESE D6/4 VERDELER ONTSTEKING	DIFFUSEUR ALLUMAGE DIFUSOR ENCENDIDO	DIFFUSORE ACCENSIONE	1
2785		13018948	STERNGASKOPF STERVORMIGE VERDELER GAS	ETOILE REPART.GAZ ESTRELLA DISTR.GAS	RIPARTITORE GAS	1
3005		13014122	MONTIERTER KOLLEKTOR RP 1"1/4 COLLECTOR GEMONTEERD RP 1"1/4	COLLECTEUR MONTE RP 1"1/4 COLECTOR MONTADO RP 1"1/4	COLLETTORE MONTATO RP 1"1/4	1
3010		13011367	SICHERUNGSRING U.STABILISATOR D60 STABILISATOR+ BORGVEREN D.60	STABILISATEUR+ CIRCLIPS D.60 ESTABILIZADOR+ ANILLO DE RETÉN D.60	STABILIZZATORE+ANELLI ELASTICI D.60	1
3030		13014125	LUFTDRUCKLEITUNGEN+FEUERRAUM/R+L BUIZEN D LUCHT+VERBRANDINGSKAMER/D+G	TUBES P AIR+FOYER/D+G TUBOS P AIRE+HOGAR/D+I	TUBI P ARIA+FOCOLARE/DX+SX	1
3100		13011720	GASVENTIL MBVEF412 B01 S30 PL=0,3-PF=1,2 GASKLEP MBVEF412 B01 S30 PL=0,3-PF=1,2	VANNE GAZ MBVEF412 B01 S30 PL=0,3-PF=1,2 VÁLV. GAS MBVEF412 B01 S30 PL=0,3-PF=1,2	VALV. GAS MBVEF412 B01 S30 PL=0,3-PF=1,2	1
3105		13010084	SPULE DUN N° 1205 MBVEF412 SPOEL DUN NR. 1205 MBVEF412	BOBINE DUN N° 1205 MBVEF412 BOBINA DUN N° 1205 MBVEF412	BOBINA DUN N° 1205 MBVEF412	1
3110		13010078	GASDRUCKWAECHTER GW 150 A5 30-150MB DIN GASDRUKSCHAKELAAR GW 150 A5 30-150MB DIN	MANOSTAT GAZ GW 150 A5 30-150MB DIN PRESOSTATO GAS GW 150 A5 30-150MB DIN	PRESSOSTATO GAS GW 150 A5 30-150MB DIN	1
3140		13016012	FILTREINSATZ MB410/412 96x65 DUN FILTRELEMENT /MB...410/412	ELEMENT FILTRANT /MB...410/412 ELEMENTO FILTROS /MB...410/412	ELEMENTO FILTRANTE /MB...410/412	1
3200		13011366	O-RING-SET MB-VEF412 DICHTINGSKIT MBVEF 407/412	KIT JOINT MBVEF 407/412 KIT JUNTA MBVEF 407/412	KIT GUARNIZIONE MBVEF 407/412	1
3300		13010085	FLANSCH MB410/412 RP1 1/4 FLENS MB410/412 RP1 1/4	BRIDE MB410/412 RP1 1/4 BRIDA MB410/412 RP1 1/4	FLANGIA MB410/412 RP1 1/4	1
3410		13009700	OP-GASFILTER R2Z OP-GASFILTER R2Z	OP-FILTRE GAZ RP2" FILTRO GAS EXTERNO RP2	OP-FILTRO GAS RP2"	1


		DE		FR		IT		
		NL		ES				
3411	13010044	GASFILTER-EINSATZ+O-RING F.ANELLO R2Z FILTERELEMENT RP2+DICHTING		ELEMENT FILT. RP2+JOINT ELEMENTO FILT. RP2+JUNTA		ELEMENTO FILT. RP2+GUARNIZIONE		1
3505	13014123	MONTIERTER KOLLEKTOR RP 2 COLLECTOR GEMONTEERD RP 2		COLLECTEUR MONTE RP 2 COLECTOR MONTADO RP 2		COLLETTORE MONTATO RP 2		1
	13014128	GASANSCHLUSS-ROHR R2Z KPL. COLLECTOR GEMONTEERD RP 2		COLLECTEUR MONTE RP 2 COLECTOR MONTADO RP 2		COLLETTORE MONTATO RP 2		1
3510	13011367	SICHERUNGSRING U.STABILISATOR D60 STABILISATOR+ BORGVEREN D.60		STABILISATEUR+ CIRCLIPS D.60 ESTABILIZADOR+ ANILLO DE RETÉN D.60		STABILIZZATORE+ANELLI ELASTICI D.60		1
3530	13014126	LUFTDRUCKLEITUNGEN+FEUERRAUM/R+L BUIZEN D LUCHT+VERBRANDINGSKAMER/D+G		TUBES P AIR+FOYER/D+G TUBOS P AIRE+HOGAR/D+I		TUBI P ARIA+FOCOLARE/DX+SX		1
	13014129	DRUCKLUFTLEIT.+FEUERRAUM/R+L BUIZEN D LUCHT+VERBRANDINGSKAMER/D+G		TUBES P AIR+FOYER/D+G TUBOS P AIRE+HOGAR/D+I		TUBI P ARIA+FOCOLARE/DX+SX		1
3600	13011725	GASVENTIL MBVEF420 B01 S10 RP2"+FP GASKLEP MBVEF420 B01 S10 RP2"+FP		VANNE GAZ MBVEF420 B01 S10 RP2"+FP VÁLV. GAS MBVEF420 B01 S10 RP2"+FP		VALVOLA GAS MBVEF420 B01 S10 RP2"+FP		1
	13021114	GASVENTIL MBVEF425 B01 S10 RP2" GW150 GASKLEP MBVEF425 B01 S10 RP2" GW150		VANNE GAZ MBVEF425 B01 S10 RP2" GW150 VÁLV. GAS MBVEF425 B01 S10 RP2" GW150		VALVOLA GAS MBVEF425 B01 S10 RP2" GW150		1
3605	13011726	SPULE DUN N° 1215 MBVEF420 SPOEL DUN NR. 1215 MBVEF420		BOBINE DUN N° 1215 MBVEF420 BOBINA DUN N° 1215 MBVEF420		BOBINA DUN N° 1215 MBVEF420		1
	13020727	SPULE DUN N° 1415 MBVEF425 S30 SPOEL DUN NR. 1415 MBVEF425 S30		BOBINE DUN N° 1415 MBVEF425 S30 BOBINA DUN N° 1415 MBVEF425 S30		BOBINA DUN N° 1415 MBVEF425 S30		1
3610	13010078	GASDRUCKWAECHTER GW 150 A5 30-150MB DIN GASDRUKSCHAKELAAR GW 150 A5 30-150MB DIN		MANOSTAT GAZ GW 150 A5 30-150MB DIN PRESOSTATO GAS GW 150 A5 30-150MB DIN		PRESSOSTATO GAS GW 150 A5 30-150MB DIN		1
3640	13007901	FILTEREINSATZ/TASCHEF.MB... 420 FILTERELEMENT /MB...420		ELEMENT FILTRANT /MB...420 ELEMENTO FILTROS /MB...420		ELEMENTO FILTRANTE /MB...420		1
	13014127	FEINFILTER DUNGS/MB VEF 425 ZEEF DUNGS/MB VEF 425		TAMIS DUNGS/MB VEF 425 TAMIZ DUNGS/MB VEF 425		FILTRO DUNGS/MB VEF 425		1
3700	65300671	O-RING-SET MB 420 PAKKINGSET MB...420		KIT JOINTS MB...420 KIT DE JUNTAS MB...420		KIT GUARNIZIONI MB...420		1
3800	13007859	FLANSCH MB420 RP2 + DRUCKSTECKER FLENS MB420 RP2 + AFTAKKING DRUK		BRIDE MB420 RP2 + PRISE PRESSION BRIDA MB420 RP2 + TOMA DE PRESIÓN		FLANGIA MB420 RP2 + PRESA PRESSIONE		1
	13014124	FLANSCH MB425 RP2 FLENS MB425 RP2		BRIDE MB425 RP2 BRIDA MB425 RP2		FLANGIA MB425 RP2		1
4006	13013783	MONTIERTER KOLLEKTOR RP2 COLLECTOR GEMONTEERD RP2		COLLECTEUR MONTE RP2 COLECTOR MONTADO RP2		COLLETTORE MONTATO RP2		1
4010	13011367	SICHERUNGSRING U.STABILISATOR D60 STABILISATOR+ BORGVEREN D.60		STABILISATEUR+ CIRCLIPS D.60 ESTABILIZADOR+ ANILLO DE RETÉN D.60		STABILIZZATORE+ANELLI ELASTICI D.60		1
4020	13014880	DRUCKNIPPEL DRUKAANSLUITING		PRISE DE PRESSION TOMA DE PRESIÓN		PRESA DI PRESSIONE		1
4030	13021113	LUFTDRUCKLEIT.+FEUERRA/R+L SKP..5 RP2" BUIZ. D LUCHT+VERB.KAM./D+G SKP..5 RP2"		TUBES P AIR+FOYER/D+G SKP..5 RP2" TUBOS P AIRE+HOGAR/D+I SKP..5 RP2"		TUBI P ARIA+FOCOLARE/DX+SX SKP..5 RP2"		1
4045	13015138	SATZ ROHR VPS FÜR VGD20 50 ACC BUIS VPS VOOR VGD20 50		KIT TUBE VPS POUR VGD20 50 ACC TUBO VPS PARA VGD20 50		KIT TUBO VPS PER VGD20 50		1
4100	65311581	GAS-MV VGD 20.5011 R2Z X 265 MM GASKLEP VGD20 5011 RP2"		VANNE GAZ VGD20 5011 RP2" VALVULA GAS VGD20 5011 RP2"		VALVOLA GAS VGD20 5011 RP2"		1
4110	13011736	GASDRUCKWÄCHTER GW 50 A4 2,5-50MB DIN GASDRUKREGELAAR GW 50 A4 2,5-50MB DIN		MANOSTAT GAZ GW 50 A4 2,5-50MB DIN MANOSTATO GAS GW 50 A4 2,5-50MB DIN		PRESSOSTATO GAS GW 50 A4 2,5-50MB DIN		1
4115	13014883	GEBOGENES EDELSTAHLROHR ELLEBOOG INOX		TUBE COUDE INOX TUBO CODO INOX		TUBO PIEGATO A GOMITO INOX		1
4200	13011733	O-RING-SET D66,35X2,62 NBR 70.5 DICHTINGSKIT VGG,VGF10/VGD20 RP2		KIT JOINTS VGG,VGF10/VGD20 RP2 KIT JUNTAS VGG,VGF10/VGD20 RP2		KIT GUARNIZIONI VGG,VGF10/VGD20 RP2		1
4300	65300871	FLANSCH AGA51 RP2 FLENS AGA51 RP2		BRIDE AGA51 RP2 BRIDA AGA51 RP2		FLANGIA AGA51 RP2		1
4410	13009700	OP-GASFILTER R2Z OP-GASFILTER R2Z		OP-FILTRE GAZ RP2" FILTRO GAS EXTERNO RP2		OP-FILTRO GAS RP2"		1
4411	13010044	GASFILTER-EINSATZ+O-RING F.ANELLO R2Z FILTERELEMENT RP2+DICHTING		ELEMENT FILT. RP2+JOINT ELEMENTO FILT. RP2+JUNTA		ELEMENTO FILT. RP2+GUARNIZIONE		1
4420	13020951	STELLANTRIEB SKP 15.000E2 O.ENDSCHALTER SERVOMOTOR SKP 15 000E2 ZONDER EINDSCHAK		SERVOMOT. GAZ SKP15.000E2 S.FIN COURSE SERVOMOT. GAS SKP15.000E2 S.TOPE		SERVOMOT. GAS SKP15.000E2 S.FINECORSA		1
	65114197	STELLANTRIEB SKP15.013U1 (110V) SERVOMOTOR SKP15.013U1 (110V)		SERVOMOT. GAZ SKP15.013U1 (110V) SERVOMOT. GAS SKP15.013U1 (110V)		SERVOMOT. GAS SKP15.013U1 (110V)		1
4430	13020950	SERVOMOT. GAS SKP75.003E2 O.ENDSCHALTER SERVOMOTOR SKP 75 003E2, ZONDER EINDSCH.		SERVOMOT. GAZ SKP75.003E2 S.FIN COURSE SERVOMOT. GAS SKP75.003E2 S.TOPE		SERVOMOT. GAS SKP75.003E2 S.FINECORSA		1
	65114199	STELLANTRIEB SKP75.013U1 (110V) SERVOMOTOR SKP75.013U1 (110V)		SERVOMOT. GAZ SKP75.013U1 (110V) SERVOMOT. GAS SKP75.013U1 (110V)		SERVOMOT. GAS SKP75.013U1 (110V)		1
4440	13022511	STECKER AGA68 BRUGSTEKKER AGA68		CONNECTEUR BRIDGE AGA68 CONNECTOR PUENTE AGA68		CONNETTORE BRIDGE AGA68		1
4450	13020958	KABEL ANSCHLUSS AGA 62 STCK DIN L270 KABEL CONNECT AGA 62 STCK DIN L270		CABLE CONNECT AGA 62 PRISE DIN L270 CABLE CONNECT AGA 62 TOMA DIN L270		CAVO COLLEGA AGA 62 PRESA DIN L270		1
4506	13013784	KOLLEKTOR DN65 COLLECTOR DN65		COLLECTEUR DN65 COLECTOR DN65		COLLETTORE DN65		1
	13013785	KOLLEKTOR DN80 COLLECTOR DN80		COLLECTEUR DN80 COLECTOR DN80		COLLETTORE DN80		1

					
1005	13011565	ВОЗДУ.КАМЕРА318X414X167+ЗАСЛ+GREY SPR+KP HAVA KUTUSU318X414X167+KLAP+GREY SPR+KAP	CAIXA AR 318X414X167+FLAP+GREY SPR+TAMPA	KOMORA POW.318X414X167+PRZEP+GR.SPRI+POK	1
	65326951	ВОЗДУ.КАМ. 318X414X167+ВОЗДУ.ЗАС.МЕТ.+KP HAVA KUTU. 318X414X167+METAL HAV.KL.+KAP	CAIXA AR 318X414X167+ FLAP AR MET.+TAMPA	KOMOR.POW. 318X414X167+PRZE.POW.MET.+POK	1
1010	13009641	ИЗОЛЯЦИЯ ВОЗДУХОЗАБОРНИКА HAVA KUTUSU YALITIMI	ISOLAMENTO CAIXA DE ENTRADA DE AR	USZCZELKA SKRZYNKI POWIETRZA	1
1011	13009640	ПРОКЛАДКА/ВОЗДУШН.КАМЕРА 109X6X7 ПРОФИЛ. CONTASI/HAVA KUTUSU 109X6X7 PROFILLI	GAXETA/CAIXA DE AR 109X6X7 PERFILADO	USZCZELKA/KOMORA POWIET. 109X6X7 PROFIL.	1
1012	13009642	КРЫШКА ВОЗДУХОЗАБОРНИКА HAVA KUTUSU KARAĞI	TAMPA REGISTRO DE AR	POKRYWA SKRZYNKI POWIETRZA	1
	65326223	КРЫШКА ВОЗДУХОЗАБОРНИКА HAVA KUTUSU KARAĞI	TAMPA REGISTRO DE AR	POKRYWA SKRZYNKI POWIETRZA	1
1026	13009748	ВОЗДУШНЫЙ ВЫПРЯМИТЕЛЬ 148/162 4BL. HAVA DÜZELTİCİ 148/162 4BL.	RECICLAGEM DE AR 148/162 4BL.	PROSTOWNIK POWIETRZA 148/162 4ŁOP.	1
1050	13014117	ВОЗДУШНАЯ ЗАСЛОНКА В СБОРЕ DONANIMLI HAVA KAPAKÇIĞI	CONJUNTO ALETA DE AR	ZASŁONA POWIETRZA Z WYPOSAŻENIEM	1
	65326952	ВОЗДУШНАЯ ЗАСЛОНКА МЕТАЛЛА В СБОРЕ DONANIMLI METAL HAVA KLAPESEI	CONJUNTO FLAP DE AR METALICO	PRZEPUSTNICA POWIETRZA METALU WYPOSAŻEN.	1
1051	13011751	ПРУЖИНА СЕРАЯ/ВОЗД. GRI/ HAVA YAYI	MOLA ALETA DE AR (CINZENTA)	RESOR SZARY/ POW	1
1055	13011835	СОЕД. МУФТА ВОЗД ЗАСЛОН/SQN-SQM EQ.L277 HAVA KAPAK AKUPLMANI/L277 SQN-SQM DONANM	ACOPLAMENTO BORBOLETA AR/SQN-SQM EQ.L277	SPRZĘGŁO ZASŁONY POW/SQN-SQM EQ.L277	1
	65326954	СОЕД. МУФТА ВОЗД ЗАСЛОН МЕТАЛЛА/SQM L288 METAL HAVA KAPAK AKUPLMANI/SQM L288	ACOPLAMENTO FLAP DE AR METALICO/SQM L288	SPRZĘGŁO ZASŁONY POW METALU/SQM L288	1
1070	13009736	ТУРБИНА D240X114 d24 D240X114 d24 TÜRBİN	TURBINA D240X114 d24	WIMIK D240X114 d24	1
	13009737	ТУРБИНА D250X114 d24 D250X114 d24 TÜRBİN	TURBINA D250X114 d24	WIMIK D250X114 d24	1
1080	13014004	ПРОХОДНАЯ ВТУЛКА ДЛЯ ПРОВОДОВ KABLO KANALI	PASSA-CABO	DŁAWNICA KABLOWA	1
1100	13009655	ЧЕХОЛ VECTRON 05/06 +ВИНТ КРЕПЛЕНИЯ DONANIMLI MUHA.F. KARAĞI VECTRON05 / V06	COBERTURA VECTRON 05 E V06+PARAFUSO	POKRYWA SZARA ZESPÓŁ VECTRON 05/06	1
1101	13009656	ЛИЦЕВАЯ ПАНЕЛЬ SERHE PLAKETİ	PLACA FRONTAL	PLYTA PRZEDNIA	1
1105	13009772	ПРОКЛАДКА/КОЖУХ-LEAK 10X3 CONTASI/KAPAK-LEAK 10X3	GAXETA/COBERTURA-LEAK 10X3	USZCZELKA/OSŁONA-LEAK 10X3	1
1109	13009659	КРЫШКА КОЖУХ GÖVDE KAPLAMASI KARAĞI	TAMPA COBERTURA	POKRYWA	1
1110	13009658	ЗАТВОР/КОЖУХ (LFL.)/ВОЗВРАТ. ТАРА/GÖVDE KPLMSI (LFL.)/YNDN DVRY ALMA	OBTURADOR/COBERTURA(LFL.)/REARME	PRZEPUSTNICA/POKRYWA (LFL.)/REARME.	1
1111	13009657	ВИНТ КРЕПЛЕНИЯ КОЖУХА GÖVDE KAPLAMASI TESPİT VİDASI	PARAFUSO DE CABEÇA OVAL	ŚRUBA MOCOWANIA POKRYWY	1
1150	13015715	КОНДЕНСАТОР 12µF KONDENSATOR 12µF	CAPACITOR 12µF	KONDENSATOR 12 µF	1
	65326967	КОНДЕНСАТОР 22µF 2P 3MM KONDENSATOR 22µF 2P 3MM	CAPACITOR 22µF 2P 3MM	KONDENSATOR 22µF 2P 3MM	1
	65326970	КОНДЕНСАТОР 100µF KONDENSATOR 100µF	CAPACITOR 100µF	KONDENSATOR 100µF	1
1160	13009739	ДВИГАТЕЛЬ 2,2KW230/400V D24+РАЗЪЕМ MOTOR 2,2KW230/400V D24+PRIZ	MOTOR 2,2KW230/400V D24+PLUGUE	SILNIK 2,2 KW 230/400 V D24 + GNIAZDO	1
	13009740	ДВИГАТЕЛЬ 2,5KW230/400V D24+РАЗЪЕМ MOTOR 2,5KW230/400V D24+PRIZ	MOTOR 2,5KW230/400V D24+PLUGUE	SILNIK 2,5 KW 230/400 V D24 + GNIAZDO	1
	65301124	ЭЛЕКТРОДВИГАТЕЛЬ 2,7KW 400/690V D24+PLUG MOTORU 2,7KW 400/690V D24 +PLUG	MOTOR 2,7KW 400/690V D24 +PLUG	SILNIK 2,7KW 400/690V D24 +PLUG	1
1165	13009807	ДВИГАТЕЛЬ 0,45KW 230V D12,7 GMP 0,45KW 230V D12,7 GMP MOTOR	MOTOR 0,45KW 230V D12,7 GMP	SILNIK 0,45KW 230V D12,7 GMP	1
	65300055	ЭЛЕКТРОДВИГАТЕЛЬ 0,45KW 120V D12,7 GMP MOTORU 0,45KW 120V D12,7 GMP	MOTOR 0,45KW 120V D12,7 GMP	SILNIK 0,45KW 120V D12,7 GMP	1
1170	13009806	СОЕД. МУФТА НАСОС/ДВИГАТЕЛЬ Н-В РОМПА/Н-В МОТОР AKUPLMANI	ACOPLAMENTO BOMBA/MOTOR H-B	SPRZĘGŁO POMPY/SILNIKA H-B	1
1175	13009802	МАЗУТНЫЙ НАСОС AJ6 CC 1004 AJ6 CC 1004 YAKIT POMPASI	BOMBA DE COMBUSTÍVEL AJ6 CC 1004	POMPA PALIWA AJ6 CC 1004	1
1180	13014194	ФИЛЬТР НАСОСА AJ6 AJ6 POMPA FILTRESİ	FILTRO BOMBA SUNTEC AJ6	FILTR POMPY AJ6	1
1181	13014193	ПРОКЛАДКА/КОЖУХ-НАСОС SUN AJ CONTASI/KAPAK-POMPA SUN AJ	GAXETA/COBERTURA-BOMBA SUN AJ	USZCZELKA/OSŁONA-POMPA SUN AJ	1
1200	13009815	ШЛАНГ МАЗУТН., ДЛ. 1,5 М L 1.5M YAKIT HORTUMU	MANGUEIRA COMBUSTÍVEL C. 1,5M	PRZEWÓD PALIWOWY L 1,5 M	1
1201	13014419	ШТУЦЕР/ШЛАНГ G1/4/M16X1,5 G1/4/M16X1,5 RAKOR/HORTUM	CONECTOR/MANGUEIRA G1/4/M16X1,5	ZŁĄCZE/USZCZELKA G1/4/M16X1,5	1
1202	13014676	ШТУЦЕР/ШЛАНГ G1/8/M14X1,5 G1/8/M14X1,5 RAKOR/HORTUM	CONECTOR/MANGUEIRA G1/8/M14X1,5	ZŁĄCZE/USZCZELKA G1/8/M14X1,5	1

		 			
1205	13009809	ШЛАНГ M14X1,5X2 L1300 M14X1,5X2 L1300 HORTUM	MANGUEIRA M14X1,5X2 C1300	USZCZELKA M14X1,5X2 L1300	1
1240	13009738	ДАТЧИК ДАВЛЕНИЯ BASINÇ GİRİŞİ	TORNEIRA DE PRESSÃO	GNIAZDO CIŚNIENIOWE	1
1260	13010111	РЕГУЛЯТ ДАВЛ. ВОЗД. LGW 3 A2 0,4-3MB DIN LGW 3 A2 0,4-3MB DIN HAVA MANOSTATI	MANÓSTATO AR LGW 3 A2 0,4-3MB DIN	MANOSTAT POW. LGW 3 A2 0,4-3MB DIN	1
1280	13010008	СМОТРОВОЕ СТЕКЛО RÖGAR CAMI	VIGIA	SZKŁO PODGLĄDU	1
1290	13010055	ПРОКЛАДКА/КОРПУС-HEAD D218X8/5X10 CONTASI/KARTER-HEAD D218X8/5X10	GAXETA/CARCAÇA-HEAD D218X8/5X10	USZCZELKA/OBUDOWA-HEAD D218X8/5X10	1
1300	13014118	КРЫШКА ИНДИКАТОРА ПЛАМЕНИ В БОРЕ DONANIMLI ALEV GÖSTERGESİ KAPAĞI	TAMPA VISOR CHAMA EQU.	POKRYWA SYGNALI. ŚWIETLNEJ PŁOM. EQU.	1
1501	13011763	БЛОК УПРАВЛЕНИЯ LFL 1.333 LFL 1.333 KUTU	PROGRAMADOR LFL 1.333	MODUŁ LFL 1.333	1
	65325712	БЛОК УПРАВЛЕНИЯ LFL 1.335 A17 110/60 LFL 1.335 A17 110/60 KUTU	PROGRAMADOR LFL 1.335 A17 110/60	MODUŁ LFL 1.335 A17 110/60	1
1504	13009773	КАБЕЛЬ ТРАНСФО РОЗЖИГА+PL.2P 2X0,75 L420 KABLOSU ATEŞL. TRAF0.+PLUG2P 2X0,75 L420	CABO TRANSFO IGNIÇÃO+TOM.2P 2X0,75 L420	PRZEWÓD TRANSFO ZAPŁ.+PLUG2P 2X0,75 L420	1
1505	13014716	КАБЕЛЬ ЭЛЕКТРОК.+DIN/WI.5P L1500VS+1+2+3 KABLOSU EL.VANA+DIN/WIE.5P L1500VS+1+2+3	CABO EL.VALV.+T.DIN/WI.5P L1500VS+1+2+3	PRZEWÓD EL.ZAWOR+DIN/WI.5P L1500VS+1+2+3	1
1507	13009669	КАБЕЛЬ+PLUG4P/3X0,75 L620 KABLOSU+PLUG4P/3X0,75 L620	CABO+TOMADA 4P/3X0,75 L620	PRZEWÓD+PLUG4P/3X0,75 L620	1
1511	13014120	КАБЕЛЬ ЭЛЕКТРОКП.+P.WIE.5P 5X0,75 L1250 KABLOSU EL.VANA+PL.WIE. 5P 5X0,75 L1250	CABO EL.VALV.+TOM. WIEL.5P 5X0,75 L1250	PRZEWÓD EL.ZAWOR+PL.WIE.5P 5X0,75 L1250	1
1512	13009799	КАБЕЛЬ Р.ДАВ.ВОЗДУХА+PL.DIN/3X0,75 L1200 HAVA BAS.ŞALT.KABLOSU+P.DIN/3X0,75 L1200	CABO PRESSOST.AR+TOMADA DIN/3X0,75L1200	PRZEWÓD CZUJNIK CIŚ.POW.+DIN/3X0,75L1200	1
1515	13009676	ИЗМЕРИТЕЛЬНЫЙ МОСТ [µA, ПОСТ. ТОК] ÖLÇÜM KÖPRÜSÜ [µA DC]	PONTO DE MEDIÇÃO [µA DC]	PUNKT POMIAROWY [µA DC]	1
1516	13009176	AGM410490550 (БАЗА LFL) AGM410490550 (LFL KAİDESİ)	AGM410490550 (BASE LFL)	AGM410490550 (PODSTAWA LFL)	1
1517	13011839	КАБЕЛЬ Р.ДАВ.ГАЗА+P.DIN/4X0,75 L2000(X3) GAZ BAS.ŞALT.KABLOSU+DIN/4X0,75L2000(X3)	CABO PRESSOST.GAS+T.DIN/4X0,75 L2000(X3)	PRZEWÓD CZUJ.CIŚ.GAZ+DIN/4X0,75L2000(X3)	1
1518	13009666	КАБЕЛЬ ГАЗО.КЛАПАН+P.DIN/3X0,75L2000(X4) GAZ VANASI KABLOSU+DIN/3X0,75L2000(X4)	CABO VALVULA GAS+T.DIN/3X0,75 L2000(X4)	PRZEWÓD ZAWÓR GAZOWY+DIN/3X0,75L2000(X4)	1
1520	13012980	ЭЛЕМЕНТ QRA 2 ФЛАНЕЦ + МАНЖЕТА TURUNCU HÜCRE 2 FLANŞ + BİLEZİK	CÉLULA QRA 2 FLANGE+COLAR	KOMÓRKA QRA 2 FLANGE+COLLAR	1
1521	13014121	СОЕДИНИТЕЛЬНАЯ КОЛОДКА M6/8,4 BİRLEŞTİRME BLOĞU M6/8,4	BLOCO DE BORNES M6/8,4	BLOK ŁĄCZNIKA M6/8,4	1
1540	13009670	РАЗЪЕМ WIELAND, 7-МИ ПОЛЮСН. WIELAND PRİZİ 7P.	TOMADA WIELAND 7P.	GNIAZDO WIELAND 7P.	1
1541	13009667	4-ПОЛЮСН. РАЗЪЕМ WIELAND WIELAND FİŞ 4P. ERKEK	FICHA WIELAND 4P.MACHO	WTYCZKA WIELAND 4P	1
1542	13009668	КОЖУХ/РАЗЪЕМ 4-Х ПОЛЮСН. WIELAND ST18/4 GÖVDE KAPLAMASI /WIELAND PRİZİ 4P.ST18/4	COBERTURA/TOMADA WIELAND 4P.ST18/4	POKRYWA/GNIAZDO WIELAND 4P.ST18/4	1
1543	13009671	КОЖУХ/РАЗЪЕМ WIELAND, 7-ПОЛЮСН. GÖVDE KAPLAMASI/WIELAND PRİZİ 7P.	COBERTURA/TOMADA WIELAND 7P	POKRYWA/GNIAZDO WIELAND 7P	1
1545	13009672	КАБЕЛЬ+PLUG7P/7X0,75 L620 KABLOSU+PLUG7P/7X0,75 L620	CABO+TOMADA 7P/7X0,75 L620	PRZEWÓD+PLUG7P/7X0,75 L620	1
1550	13009778	КОНТАКТОР KONTAKTÖR	CONTATOR	KONTAKTOR	1
1560	13009746	ТЕРМОРЕЛЕ LR2K 5,5-8,0A LR2K 5.5-8.0A TERMİL RÖLE	RELÉ TÉRMICO LR2K 5,5-8,0A	PRZEKAŹNIK TERMICZNY LR2K 5,5-8,0 A	1
1570	65301252	КОНТАКТОР NF31E-13 NF31E-13 KONTAKTÖR	CONTATOR NF31E-13	KONTAKTOR NF31E-13	1
1575	65301251	КОНТАКТОР AF09-30-10-13 AF09-30-10-13 KONTAKTÖR	CONTATOR AF09-30-10-13	KONTAKTOR AF09-30-10-13	1
1580	65301253	ЗАМЕДЛИТЕЛЬ TEF4-ON (0,1/100S) TEF4-ON (0,1/100S) ZAMAN AYARLAYICI	TEMPORIZADOR TEF4-ON (0,1/100S)	REGULATOR CZASOWY TEF4-ON (0,1/100S)	1
1600	13009663	ТРАНСФО РОЗЖИГА EBI 2X7,5 230V ATEŞLEME TRAF0. EBI 2X7,5 230V	TRANSFO IGNIÇÃO EBI 2X7,5 230V	TRANSFO ZAPŁONOWY EBI 2X7,5 230V	1
	65301214	ТРАНСФО РОЗЖИГА EBI 2X8 120V L410 ATEŞLEME TRAF0. EBI 2X8 120V L410	TRANSFO IGNIÇÃO EBI 2X8 120V L410	TRANSFO ZAPŁONOWY EBI 2X8 120V L410	1
1605	13009743	КАБЕЛЬ РОЗЖИГА D6,35/D4 L750X2 BODY ATEŞLEME KABLOSU D6,35/D4 L750X2 BODY	CABO ENCENDIDO D6,35/D4 L750X2 BODY	PRZEWÓD ALU. D6,35/D4 L750X2 BODY	1
1606	13010068	КРУГЛЫЙ РАЗЪЕМ ЗАПАЛН. ПРОВОД ИОН. X2 İYON ALÜMİNYUM KABLO YUVARLAK FİŞ X2	FICHA REDONDA CABO IGN.ION X2	WTYCZKA OKRĄGŁA KABLA ALU JON X2	1
1610	13009661	ЗАТВОР/ПУЛЬТ TAPA / KONTROL PANELİ	OBTURADOR INTERFACE	PRZEPUSTNICA / PULPIT	1
1615	13009662	ДЕРЖАТЕЛЬ РЕГУЛИРОВОЧНЫЙ AYAR DESTEĞİ	SUPORTE REGULAÇÃO	UCHWYT REGULATORA	1
1625	13009625	РЕЗИНОВЫЙ КОЛПАЧОК / ЗАПАЛН. ПРОВОД KAUÇUK BAŞLIK / ALÜMİNYUM KABLO	TAMPA DE BORRACHA/CABO DE IGNIÇÃO	ZAKRĘTKA PLASTIK/KABEL ALU	1

					
1630	13014119	ПАНЕЛЬ УПРАВЛЕНИЯ, ТРАФАРЕТН. ПЕЧАТЬ SERİGRAFİ KUMANDA PANELİ	CONSOLA COMANDO SERIGRAFIA	PULPIT STEROWANIA SITODRUKU	1
1635	13009790	ЗАТВОР СВЕТОПРОНИЦАЕМЫЙ/ПУЛПТ YARI SAYDAM TAPA/KONTROL PANELİ	OBTURADOR TRANSLÚCIDO/CONSOLA	PRZEPUSTNICA BEZBARWNA/PULPIT	1
1640	13016457	ДЕРЖАТЕЛЬ ПРЕДОХР-ЛЯ + ПРЕДОХР-ЛЬ 6,3 A SİGORTA TAŞIYICI + 6.3A SİGORTA	PORTA-FUSÍVEL+FUŞÍVEL 6,3A	OPRAWA BEZPIECZNIKOWA +BEZPIECZNIK 6,3 A	1
1645	3333550051	ПРЕДОХРАНИТЕЛЬ 5X20 T6,3A 250 V 5X20 T6,3A 250V SİGORTA	FUSÍVEL 5X20 T6,3A 250V	BEZPIECZNIK 5X20 T6,3 A 250 V	1
1650	13014010	НАЖИМ ПЕРЕК-ЛЬ С ЗЕЛ. ПОДСВ ПУСК/ОСТАНОВ M/A YEŞİL İŞIKLI BASMALI ANAHTAR	INTERRUPTOR DE PRESSÃO LUZ.VERDE M/A	ZIELONY WŁĄCZNIK ŚWIATŁA M/A	1
1651	13009801	ДВОЙНОЙ ПЕРЕКЛЮЧАТЕЛЬ, 2-ПОЗ. 2 POS ÇİFTLİ ANAHTAR	INTERRUPTOR DUPLO 2 POS.	WŁĄCZNIK PODWÓJNY 2 POZ.	1
1652	13009801	ДВОЙНОЙ ПЕРЕКЛЮЧАТЕЛЬ, 2-ПОЗ. 2 POS ÇİFTLİ ANAHTAR	INTERRUPTOR DUPLO 2 POS.	WŁĄCZNIK PODWÓJNY 2 POZ.	1
1653	13009801	ДВОЙНОЙ ПЕРЕКЛЮЧАТЕЛЬ, 2-ПОЗ. 2 POS ÇİFTLİ ANAHTAR	INTERRUPTOR DUPLO 2 POS.	WŁĄCZNIK PODWÓJNY 2 POZ.	1
1670	13016481	КАБЕЛЬ ЭЛ.ДВИГАТЕЛЬ+P.3P90° 3X0,75 L1700 MOTORU KABLOSU+PLUG3P 90° 3X0,75 L1700	CABO MOTOR+TOMADA 3P 90° 3X0,75 L1700	PRZEWÓD SILNIK+PLUG3P 90° 3X0,75 L1700	1
1680	65301000	КАБЕЛЬ ЭЛ.ДВИГАТЕЛЬ+P. WIE. 4P 4X1,5 L560 MOTORU KABLOSU+PLUGWIE. 4P 4X1,5 L560	CABO MOTOR+TOMADA WIEL.4P 4X1,5 L560	PRZEWÓD SILNIK+PLUGWIE. 4P 4X1,5 L560	1
1700	13014677	СЕРВОДВИГАТЕЛЬ SQM 50.481 A2 SQM 50.481 A2 SERVOMOTOR	SERVOMOTOR SQM 50.481 A2	SERWOMOTOR SQM 50.481 A2	1
	65300749	СЕРВОДВИГАТЕЛЬ SQM 50.481 A1 SERVOMOTOR SQM 50.481 A1	SERVOMOTOR SQM 50.481 A1	SERWOMOTOR SQM 50.481 A1	1
1710	13009080	РЕЛЕ WHU WHU RÖLESİ	RELÉ WHU	PRZEKAŹNIK WHU	1
1720	64211221	РЕЛЕ FIN 4RT 55.34.8.230.0040	RELE FIN 4RT 55.34.8.230.0040	PRZEKAŹNIK FIN 4RT 55.34.8.230.0040	1
1725	13009796	БАЗА РЕЛЕ FINDER 55.34 55.34 FINDER RÖLE KAİDESİ	BASE RELÉ FINDER 55.34	GNAZDO PRZEKAŹNIKA FINDER 55.34	1
1730	13017721	РЕЛЕ + ЗАЖИМ RÖLE + KLİP	RELÉ + MOLAS	PRZEKAŹNIK + CLİP	1
1735	13017720	ДЕРЖАТЕЛЬ РЕЛЕ FINDER 95.05 95.05 FINDER RÖLE KAİDESİ	SUPORTE RELÉ FINDER 95.05	WSPORNIK PRZEKAŹNIKA FINDER 95.05	1
1740	13010452	ЗАМЕДЛИТЕЛЬ ZAMAN AYARLAYICI	TEMPORIZADOR	REGULATOR CZASOWY	1
1821	13011764	ЗЕЛЕНЫЙ ИНДИКАТОР YEŞİL GÖSTERGE İŞİĞİ	INDICADOR VERDE	ZIELONE ŚWIATŁO SYGNALIZACYJNE	1
2020	13009712	ДЕФЛЕКТОР D155/50 8SL R 7DRIL. DEFLEKTOR D155/50 8SL R 7DRIL.	DEFLECTOR D155/50 8SL R 7DRIL.	DEFLEKTOR D155/50 8SL R 7DRIL.	1
	13018284	ДЕФЛЕКТОР D168/50 8SL 6DRIL. DEFLEKTOR D168/50 8SL 6DRIL.	DEFLECTOR D168/50 8SL 6DRIL.	DEFLEKTOR D168/50 8SL 6DRIL.	1
2040	13009726	БЛОК ЭЛЕКТРОДОВ 27X55 d6,4D2X23 45°+ВИНТ ELEKTROD BLOĞU 27X55 d6,4D2X23 45°+VIDA.	BLOCO ELETROD.27X55 d6,4D2X23 45°+PARAF.	BLOK ELEKTROD 27X55 d6,4D2X23 45° +ŚRUBA	1
2041	13010050	ДЕРЖАТЕЛЬ ЭЛЕКТРОДА ELEKTROT DESTEĞİ	SUPORTE ELÉTRODO	WSPORNIK ELEKTRODY	1
2046	13010049	ВИНТ С БУРТИКОМ M4/БЛОК ЭЛЕКТРОДОВ M4 OMUZLU VIDA/ELEKTROT BLOĞU	PARAFUSO M4/BLOCO DE ELÉTODOS	ŚRUBA M4/BLOKADA ELEKTROD	1
2047	13009725	ФЛАНЕЦ 20X11X2,6 FIX. ЭЛЕКТРОД FLANŞI 20X11X2,6 FIX. ELEKTROD	FLANGE 20X11X2,6 FIX. ELETRODO	KOŁNIERZ 20X11X2,6 FIX. ELEKTRODA	1
2070	13009727	КАБЕЛЬ РОЗЖИГАД6,35/D6,35 L950 X2 HEAD ATEŞLEME KABLOSU D6,35/D6,35 L950 X2HEAD	CABO ENCENDIDO D6,35/D6,35 L950 X2 HEAD	PRZEWÓD ALU. D6,35/D6,35 L950 X2 HEAD	1
2071	13010056	КРУГЛЫЙ РАЗЪЕМ ЗАПАЛН. ПРОВОД ИОН. X2 İYON ALÜMİNYUM KABLO YUVARLAK FİŞ X2	FICHA REDONDA CABO IGN.ION X2	WTYCZKA OKRĄGŁA KABLA ALU JON X2	1
2100	13018945	УСТРОЙСТВА ГОРЕНИЯ T1/KN T1/KN YAKMA ORGANLARI	ÓRGÃOS DE COMBUSTÃO T1/KN	NARZĘDZIA SPALANIA T1/KN	1
	13018946	УСТРОЙСТВА ГОРЕНИЯ T2/KL T2/KL YAKMA ORGANLARI	ÓRGÃOS DE COMBUSTÃO T2/KL	NARZĘDZIA SPALANIA T2/KL	1
	13018947	УСТРОЙСТВА ГОРЕНИЯ T3/KM T3/KM YAKMA ORGANLARI	ÓRGÃOS DE COMBUSTÃO T3/KM	NARZĘDZIA SPALANIA T3/KM	1
2101	13014682	СОПЛОВОЙ СЕГМЕНТ/ДЕРЖАТЕЛЬ L526 L526 NİPEL/DESTEK HATTI	LINHA BOCAL/SUPORTE L526	LINIA DYSZY PODSTAWY/WSPORNIK L526	1
	13014683	СОПЛОВОЙ СЕГМЕНТ/ДЕРЖАТЕЛЬ L726 L726 NİPEL/DESTEK HATTI	LINHA BOCAL/SUPORTE L726	LINIA DYSZY PODSTAWY/WSPORNIK L726	1
	13014684	СОПЛОВОЙ СЕГМЕНТ/ДЕРЖАТЕЛЬ L626 L626 NİPEL/DESTEK HATTI	LINHA BOCAL/SUPORTE L626	LINIA DYSZY PODSTAWY/WSPORNIK L626	1
2102	13009812	O-RING D6X2 O-RING D6X2	O-RING D6X2	O-RING D6X2	1
2120	13009732	ГАЗОВОЕ КОЛЕНО T1/KN T1/KN GAZ DİRSEĞİ	COTOVELO GÁS T1/KN	KOLANKO GAZ. T1/KN	1
	13009733	ГАЗОВОЕ КОЛЕНО T2/KL T2/KL GAZ DİRSEĞİ	COTOVELO GÁS T2/KL	KOLANKO GAZ. T2/KL	1

		RU TR	PT	PL	
	13009734	ГАЗОВОЕ КОЛЕНО T3/KM T3/KM GAZ DİRSEĞİ	COTOVELO GÁS T3/KM	KOLANKO GAZ. T3/KM	1
2125	13009731	O-RING D75X4 O-RING D75X4	O-RING D75X4	O-RING D75X4	1
2140	13009713	СОПЛО ГОРЕЛКИ D227/172/190L343TURBU.D171 D227/172/190L343TURBU.D171 ALEV TÜPÜ	TUBO DE CHAMAD227/172/190L343TURBU.D171	PRZEW. OGNIOWYD227/172/190L343TURBU.D171	1
	13009714	СОПЛО ГОРЕЛКИ D227/172/190L543TURBU.D171 D227/172/190L543TURBU.D171 ALEV TÜPÜ	TUBO DE CHAMAD227/172/190L543TURBU.D171	PRZEW. OGNIOWYD227/172/190L543TURBU.D171	1
	13009715	СОПЛО ГОРЕЛКИ D227/172/190L443TURBU.D171 D227/172/190L443TURBU.D171 ALEV TÜPÜ	TUBO DE CHAMAD227/172/190L443TURBU.D171	PRZEW. OGNIOWYD227/172/190L443TURBU.D171	1
	13009716	СОПЛО ГОРЕЛКИ D227/160/205L343TURBU.D171 D227/160/205L343TURBU.D171 ALEV TÜPÜ	TUBO DE CHAMAD227/160/205L343TURBU.D171	PRZEW. OGNIOWYD227/160/205L343TURBU.D171	1
	13009717	СОПЛО ГОРЕЛКИ D227/160/205L543TURBU.D171 D227/160/205L543TURBU.D171 ALEV TÜPÜ	TUBO DE CHAMAD227/160/205L543TURBU.D171	PRZEW. OGNIOWYD227/160/205L543TURBU.D171	1
	13009718	СОПЛО ГОРЕЛКИ D227/160/205L443TURBU.D171 D227/160/205L443TURBU.D171 ALEV TÜPÜ	TUBO DE CHAMAD227/160/205L443TURBU.D171	PRZEW. OGNIOWYD227/160/205L443TURBU.D171	1
2145	13009722	ДАТЧИК ДАВЛЕНИЯ R1/8 R1/8 BASINÇ PRİZİ	TOMADA DE PRESSÃO R1/8	GNIAZDO CIŚNIENIOWE R1/8	1
2146	13009721	ШТУЦЕР, ПРАВЫЙ SAĞ RAKOR	CONEXÃO DIREITA	ZŁĄCZE PRAWIE	1
2147	13009816	ЗАМЫКАЮЩАЯ ПЛАСТИНА RTC В СБОРЕ H-G H-G KAPATMA LEVHASI DONANIMI	PLACA FECHAM.RTC EQ. H-G	PLYTA FERM. RTC EQ. H-G	1
2148	13009817	КРЫШКА СОПЛ. СЕГМЕНТА H-B H-B NİPEL HATTI KARAĞI	TAMPA LINHA BOCAL H-B	POKRYWA LINII DYSZY PALIOWEJ H-B	1
2150	13009719	ПРОКЛАДКА/ФЛАНЕЦ ГОРЕЛКИ 335X326X3 D250 CONTASİ/BRULOR FLANŞI 335X326X3 D250	GAXETA/FLANGE QUEIMADOR 335X326X3 D250	USZCZELKA/KOŁNIERZ PAL.335X326X3 D250	1
2170	13009723	КОМПЛ-Т ВИНТ КРЕПЛЕН ТРУБЫ ГОРЕЛКИ (X3) BRÜLÖR TÜPÜ TESBİT VİDASI KİTİ (X3)	KIT PARAFUSO FIX. TUBO QUEIMADOR (X3)	ZESTAW ŚRUB MOCOW. RURA PALNIKA (X3)	1
2500	13009811	ГИДРОРАСПРЕДЕЛИТЕЛЬ В СБОРЕ (3X РЕЖИМ) HİDROLİK DİSTRİBÜTÖR TAKIMI (3ALL)	CJ. VÁLV. CONTROLE DÉBITO (3 ESTÁG.)	DYSTRYBUTOR HYDRAUL. EQ. (3ALL)	1
2510	13009813	ЭЛЕКТРОКЛАПАН LUC 121F63 2/2NF9W LUC 121F63 2/2NF9W ELEKTROVANA	VÁLVULA SOLENÓIDE LUC 121F63 2/2NF9W	CEWKA LUC 121F63 2/2NF9W	1
2520	13009814	КАТУШКА, LUCIFER 9W 9W LUCIFER BOBİN	BOBINA LUCIFER 9W	CEWKA LUCIFER 9 W	1
	65300750	ОБМОТКА PAR 32MM 115V 14W BOBİN PAR 32MM 115V 14W	BOBINA PAR 32MM 115V 14W	CEWKA PAR 32MM 115V 14W	1
2600	13009724	ОСЬ / HINGE BODY-HEAD D12X210+D12X83 90° AKSI/HINGE BODY-HEAD D12X210+D12X83 90°	HASTE/HINGE BODY-HEAD D12X210+D12X83 90°	OŚ / HINGE BODY-HEAD D12X210+D12X83 90°	1
2710	13010048	ПРИНАДЛЕЖ. КОМПЛЕКТ, ПРИРОДН. ГАЗ DOĞAL GAZ KİTİ ERİŞİMİ	ACESS. KIT GÁS NATURAL	AKCESORIA ZESTAWU GAZ. NATURALNY	1
2711	13007041	ПРИНАДЛЕЖН. КОМПЛЕКТ ПРОПАН PROPAN KİTİ ERİŞİMİ	ACESS. KIT PROPANO	AKCESORIA KIT PROPAN	1
2712	13010046	ЗАТВОР/ДИФФУЗОР TAPA/ DİFÜZÖR	OBTURADOR/DIFUSOR	PRZEPUSTNICA/DYFUZOR	1
2714	13009729	ДИФФУЗОРЫ DİFFÜZÖRLER	DIFUSORES	DYFUZORY	1
2717	13014073	ДИФФУЗОР, ДЕРЖАТЕЛЬ ЭЛЕКТРОДА ELEKTROT DESTEĞİ DİFÜZÖR	DIFUSOR SUP. ELÉTRODO	DYFUZOR UCHWYTU ELEKTRODY	1
2718	13014075	ДИФФУЗОР РОЗЖИГА ATEŞLEME DİFÜZÖRÜ	DIFUSOR IGNIÇÃO	DYFUZOR ZAPALNIKA	1
2785	13018948	ЗВЕЗДОЧКА РАСПРЕД. ГАЗ GAZ DAĞITICI YILDIZ	ESTRELA REPARTID.GÁS	GŁOWICA GWIAZDOWA GAZ	1
3005	13014122	КОЛЛЕКТОР В СБОРЕ RP 1"1/4 RP 1"1/4 MONTAJLI KOLEKTÖR	COLETOR MONTADO RP 1"1/4	KOLEKTOR MONTE RP 1"1/4	1
3010	13011367	СТАБИЛИЗАТОР + СТОПОРНОЕ КОЛЬЦО D.60 STABILİZATÖR + CİRCİLİPS D.60	ESTABILIZADOR+ANÉIS RETENÇÃO D.60	STABILIZATOR+ CİRCİLİPS D.60	1
3030	13014125	ТРУБЫ P ВОЗД.+ТОП. КАМЕРА/D+G P HAVA + OCAK TÜPLERİ /D+G	TUBOS P AR+FORNALHA/D+G	RURY P POW+OGNISKO/D+G	1
3100	13011720	ГАЗ. КЛ-Н MBVEF412 B01 S30 PL=0,3-PF=1,2 MBVEF412 B01 S30 PL=0,3-PF=1,2 GAZVANASI	VÁLV. GÁS MBVEF412 B01 S30 PL=0,3-PF=1,2	ZAWÓR GAZ.MBVEF412 B01 S30 PL=0,3-PF=1,2	1
3105	13010084	КАТУШКА DUN № 1205 MBVEF412 N° 1205 MBVEF412 DUN BOBİNİ	BOBINA DUN N.º 1205 MBVEF412	CEWKA DUN NR 1205 MBVEF412	1
3110	13010078	РЕЛЕ ДАВ. ГАЗА GW 150 A5 30—150MB DIN GAZ BASINÇ ŞALT. GW 150 A5 30-150MB DIN	PRESSOSTATO GAS GW 150 A5 30-150MB DIN	CZUJNIK CIŚ. GAZU GW 150 A5 30-150MB DIN	1
3140	13016012	ФИЛЬТР. ЭЛЕМЕНТ/МВ...410/412 FİLTRE ELEMANI /MB...410/412	ELEMENTO FILTRANTE /MB...410/412	ELEMENT FILTRUJĄCY /MB...410/412	1
3200	13011366	КОМПЛЕКТ УПЛОТН. MBVEF 407/412 MBVEF 407/412 CONTA KİTİ	KIT JUNTAS MBVEF 407/412	ZESTAW USZCZELEK MBVEF 407/412	1
3300	13010085	ФЛАНЕЦ MB410/412 RP1 1/4 FLANŞI MB410/412 RP1 1/4	FLANGE MB410/412 RP1 1/4	KOŁNIERZ MB410/412 RP1 1/4	1
3410	13009700	ГАЗ ФИЛЬТР ВНЕШНИЙ RP2 RP2 HARİCİ GAZ FİLTRESİ	FILTRO GÁS EXTERNO RP2	FİLTR GAZU	1

					
3411	13010044	ФИЛЬТР. ЭЛЕМЕНТ RP2 + УПЛОТНЕНИЕ RP2 FİLTRE ELEMANI + CONTA	ELEMENTO FILT. RP2+O-RING	ELEMENT FILT. RP2+USZCZELKA	1
3505	13014123	КОЛЛЕКТОР В СБОРЕ RP 2 RP 2 MONTAJLI KOLEKTÖR	COLETOR MONTADO RP 2	KOLEKTOR MONTE RP 2	1
	13014128	КОЛЛЕКТОР В СБОРЕ RP 2 RP 2 MONTAJLI KOLEKTÖR	COLETOR MONTADO RP 2	KOLEKTOR MONTE RP 2	1
3510	13011367	СТАБИЛИЗАТОР + СТОПОРНОЕ КОЛЬЦО D.60 STABILIZATÖR + CİRCİLİPS D.60	ESTABILIZADOR+ANÉIS RETENÇÃO D.60	STABILIZATOR+ CİRCİLİPS D.60	1
3530	13014126	ТРУБЫ P ВОЗД.+ТОП. КАМЕРА/D+G P HAVA + OCAK TÜPLERİ /D+G	TUBOS P AR+FORNALHA/D+G	RURY P POW+OGNISKO/D+G	1
	13014129	ТРУБЫ P ВОЗД.+ТОП. КАМЕРА/D+G P HAVA + OCAK TÜPLERİ /D+G	TUBOS P AR+FORNALHA/D+G	RURY P POW+OGNISKO/D+G	1
3600	13011725	ГАЗ. КЛ-Н MBVEF420 B01 S10 RP2"+FP GAZ VANASI MBVEF420 B01 S10 RP2"+FP	VÁLVULA GÁS MBVEF420 B01 S10 RP2 +FP	ZAWÓR GAZ. MBVEF420 B01 S10 RP2"+FP	1
	13021114	ГАЗ. КЛ-Н MBVEF425 B01 S10 RP2" GW150 MBVEF425 B01 S10 RP2" GW150 GAZ VANASI	VÁLVULA GÁS MBVEF425 B01 S10 RP2" GW150	ZAWÓR GAZ. MBVEF425 B01 S10 RP2" GW150	1
3605	13011726	КАТУШКА DUN № 1215 MBVEF420 N° 1215 MBVEF420 DUN BOBİNİ	BOBINA DUN N.º 1215 MBVEF420	CEWKA DUN NR 1215 MBVEF420	1
	13020727	КАТУШКА DUN № 1415 MBVEF425 S30 N° 1415 MBVEF425 S30 DUN BOBİNİ	BOBINA DUN N.º 1415 MBVEF425 S30	CEWKA DUN NR 1415 MBVEF425 S30	1
3610	13010078	РЕЛЕ ДАВ. ГАЗА GW 150 A5 30—150MB DIN GAZ BASINÇ ŞALT. GW 150 A5 30-150MB DIN	PRESSOSTATO GAS GW 150 A5 30-150MB DIN	CZUJNIK CIŚ. GAZU GW 150 A5 30-150MB DIN	1
3640	13007901	ФИЛЬТРУЮЩИЙ ЭЛЕМЕНТ/МВ...420 FİLTRELEYİCİ ELEMAN /MB...420	ELEMENTO FILTRANTE /MB...420	ELEMENT FILTRUJĄCY /MB...420	1
	13014127	ФИЛЬТР DUNGS/MB VEF 425 DUNGS ELEKLERİ/MB VEF 425	CRIVO DUNGS/MB VEF 425	SİTO DUNGS/MB VEF 425	1
3700	65300671	КОМПЛЕКТ ПРОКЛАДОК МВ...420 CONTA KİTİ MB...420	KIT JUNTAS MB...420	ZESTAW USZCZELEK MB...420	1
3800	13007859	ФЛАНЕЦ МВ420 RP2 + ПРИНИМАЯ ДАВЛЕНИЕ FLANŞI MB420 RP2 + ALARAK BASINÇ	FLANGE MB420 RP2 + TOMADA PRESSÃO	KOŁNIERZ MB420 RP2 + WTYCZKA CIŚNIENIA	1
	13014124	ФЛАНЕЦ МВ425 RP2 FLANŞI MB425 RP2	FLANGE MB425 RP2	KOŁNIERZ MB425 RP2	1
4006	13013783	КОЛЛЕКТОР В СБОРЕ RP2 RP2 MONTAJLI KOLEKTÖR	COLETOR MONTADO RP2	KOLEKTOR MONTE RP2	1
4010	13011367	СТАБИЛИЗАТОР + СТОПОРНОЕ КОЛЬЦО D.60 STABILIZATÖR + CİRCİLİPS D.60	ESTABILIZADOR+ANÉIS RETENÇÃO D.60	STABILIZATOR+ CİRCİLİPS D.60	1
4020	13014880	ДАТЧИК ДАВЛЕНИЯ BASINÇ GİRİŞİ	TOMADA DE PRESSÃO	GNIAZDO CIŚNIENIOWE	1
4030	13021113	ТРУБ. P ВОЗД.+ТОП. КАМЕРА/D+G SKP..5 RP2" HAVA+OCAK P TÜPLE. /SAG+SOL SKP..5 RP2"	TUBOS P AR+FORNALHA/D+G SKP..5 RP2"	RURY P POW+OGNISKO/D+G SKP..5 RP2"	1
4045	13015138	ПРИНАДЛ. VPS ДЛЯ VGD20 50 VGD20 50 İÇİN VPS TÜP HIZLANDIRICI	ACE TUBO VPS PARA VGD20 50	ACC RURA VPS DLA VGD20 50	1
4100	65311581	ГАЗОВЫЙ КЛАПАН VGD20 5011 RP2" GAZ VANASI VGD20 5011 RP2"	VALVULA GAS VGD20 5011 RP2"	ZAWÓR GAZOWY VGD20 5011 RP2"	1
4110	13011736	РЕГУЛЯТ ДАВЛ. ГАЗА GW 50 A4 2,5—50MB DIN GW 50 A4 2,5-50MB DIN GAZ MANOSTATI	MANÓSTATO GÁS GW 50 A4 2,5-50MB DIN	MANOSTAT GAZ. GW 50 A4 2,5-50MB DIN	1
4115	13014883	КОЛЕНО. НЕРЖ. PASLANMAZ DİRSEK TÜPÜ	TUBO COTOVELO INOX	KOLANKO RURY NIERDZEWNE	1
4200	13011733	КОМП-КТ УПЛОТНЕНИЙ VGG,VGF10/VGD20 RP2 VGG,VGF10/VGD20 RP2 CONTA KİTİ	KIT VEDAÇÖES VGG,VGF10/VGD20 RP2	ZESTAW USZCZELEK VGG,VGF10/VGD20 RP2	1
4300	65300871	ФЛАНЕЦ АГА51 RP2 FLANŞI AGA51 RP2	FLANGE AGA51 RP2	KOŁNIERZ AGA51 RP2	1
4410	13009700	ГАЗ ФИЛЬТР ВНЕШНИЙ RP2 RP2 HARICI GAZ FİLTRESİ	FILTRO GÁS EXTERNO RP2	FİLTR GAZU	1
4411	13010044	ФИЛЬТР. ЭЛЕМЕНТ RP2 + УПЛОТНЕНИЕ RP2 FİLTRE ELEMANI + CONTA	ELEMENTO FILT. RP2+O-RING	ELEMENT FILT. RP2+USZCZELKA	1
4420	13020951	ИСП. МЕХАНИЗМ ГАЗ SKP15.000E2 S.КОНЦЕВОЙ KURS SONSUZ SKP15.000E2 GAZ SERVOMOTORU	ATUADOR GÁS SKP15.000E2 S.FIM CURSO	SIŁOWNIK GAZ. SKP15.000E2 S.WYL.KRAŃCOWY	1
	65114197	ИСП. МЕХАНИЗМ ГАЗ SKP15.013U1 (110V) SKP15.013U1 (110V) GAZ SERVOMOTORU	ATUADOR GÁS SKP15.013U1 (110V)	SIŁOWNIK GAZ. SKP15.013U1 (110V)	1
4430	13020950	ИСП. МЕХАНИЗМ ГАЗ SKP75.003E2 S.КОНЦЕВОЙ KURS SONSUZ SKP75.003E2 GAZ SERVOMOTORU	ATUADOR GÁS SKP75.003E2 S.FIM CURSO	SIŁOWNIK GAZ. SKP75.003E2 S.WYL.KRAŃCOWY	1
	65114199	ИСП. МЕХАНИЗМ ГАЗ SKP75.013U1 (110V) SKP75.013U1 (110V) GAZ SERVOMOTORU	ATUADOR GÁS SKP75.013U1 (110V)	SIŁOWNIK GAZ. SKP75.013U1 (110V)	1
4440	13022511	СОЕДИНИТЕЛЬ BRIDGE АГА68 АГА68 FLANŞ KONEKTÖRÜ	CONNECTOR BRIDGE АГА68	ZŁĄCZYE MOSTKA АГА68	1
4450	13020958	КАБЕЛЬ CONNECT АГА 62 PLUG DIN L270 KABLOSU CONNECT АГА 62 PLUG DIN L270	CABO CONNECT АГА 62 TOMADA DIN L270	PRZEWÓD CONNECT АГА 62 PLUG DIN L270	1
4506	13013784	КОЛЛЕКТОР DN65 DN65 KOLEKTÖR	COLETOR DN65	KOLEKTOR DN65	1
	13013785	КОЛЛЕКТОР DN80 DN80 KOLEKTÖR	COLETOR DN80	KOLEKTOR DN80	1

