

## SPARE PARTS EXPLODED VIEW GAS BURNERS

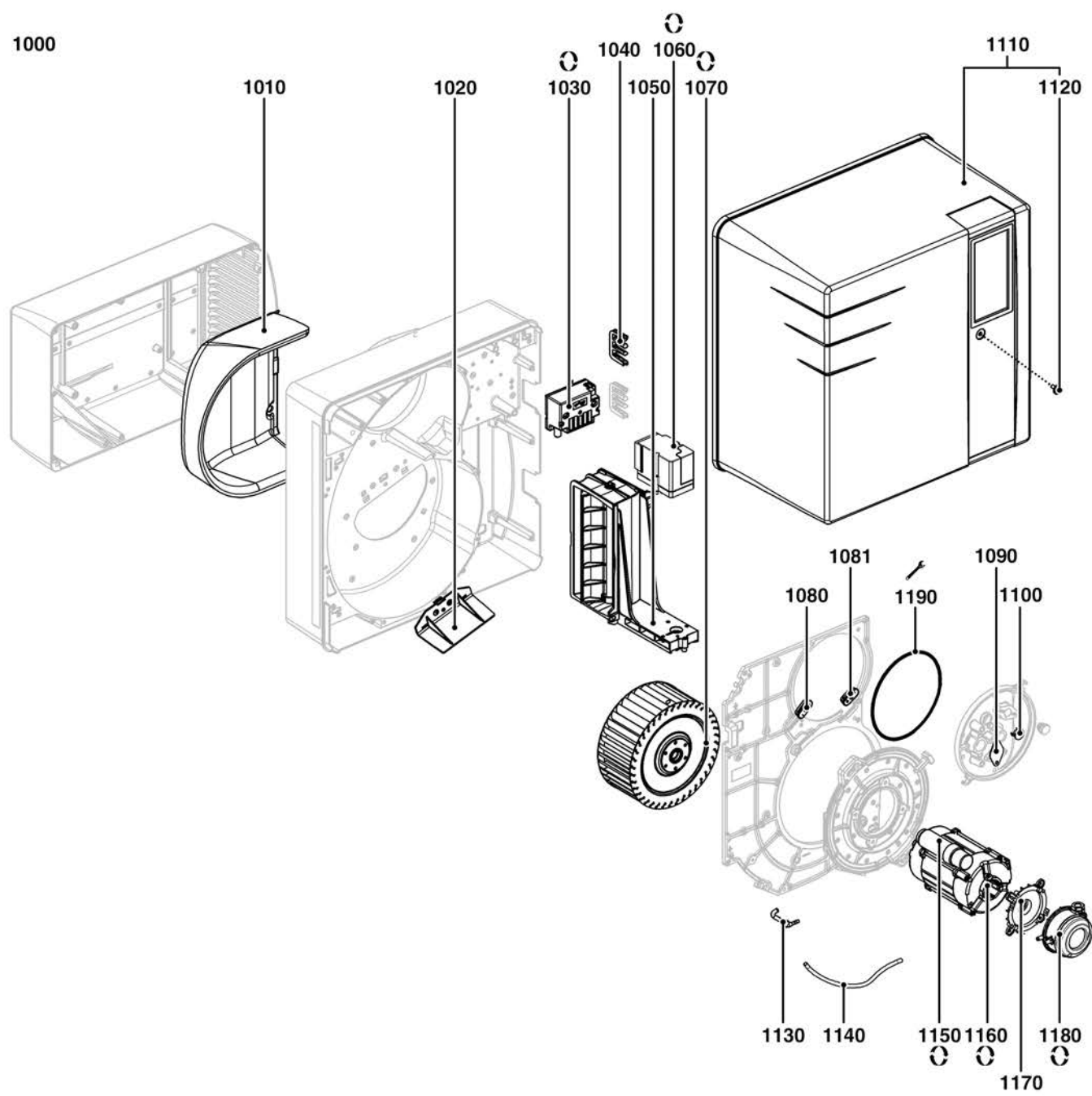
Model

### CB-VG4 D E

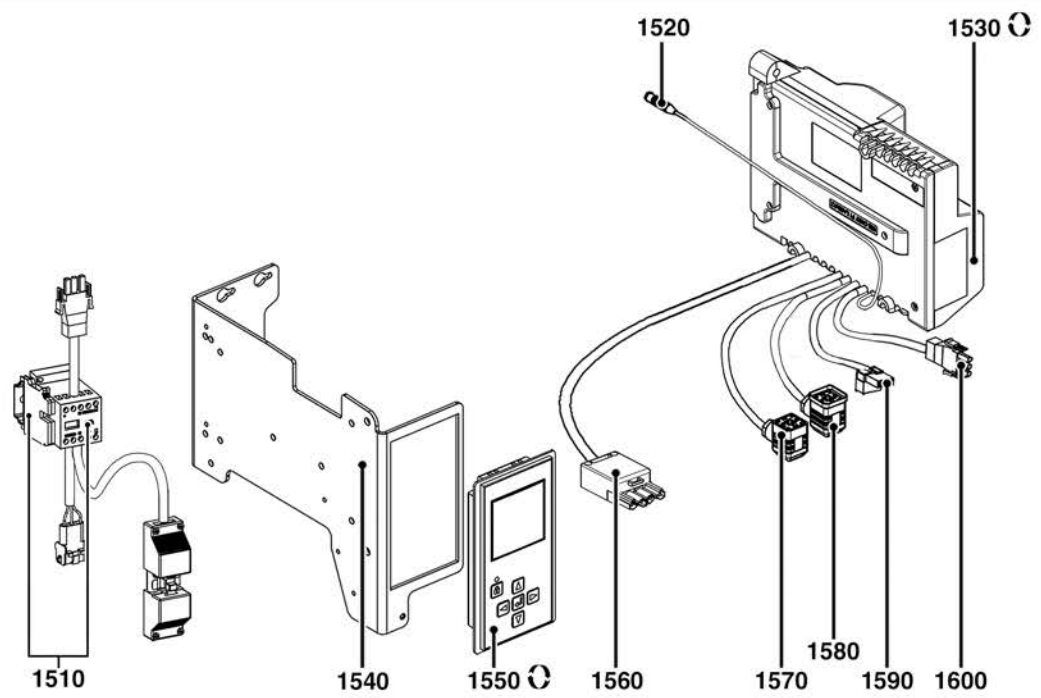
R8220276-01 - 18/07/2018

| 1   | 3836513   | BB-VG 4.440 D E           | 05-2018 | -   |
|-----|-----------|---------------------------|---------|-----|
| 2   | 3836498   | CH-G0532-T1/KN            | 05-2018 | -   |
| 3   | 3836499   | CH-G0532-T2/KL            | 06-2018 | -   |
| 4   | 3832663   | GT -D26 - 3/4 - RP3/4     | 06-2010 | -   |
| 5   | 3832656   | GT -D25 - 1 1/4 - RP1 1/4 | 06-2010 | -   |
| 6   | 3833191   | GT -D214 - 1 1/2 -RP2     | 03-2012 | -   |
| Col | Reference | Model type                | Begin   | End |

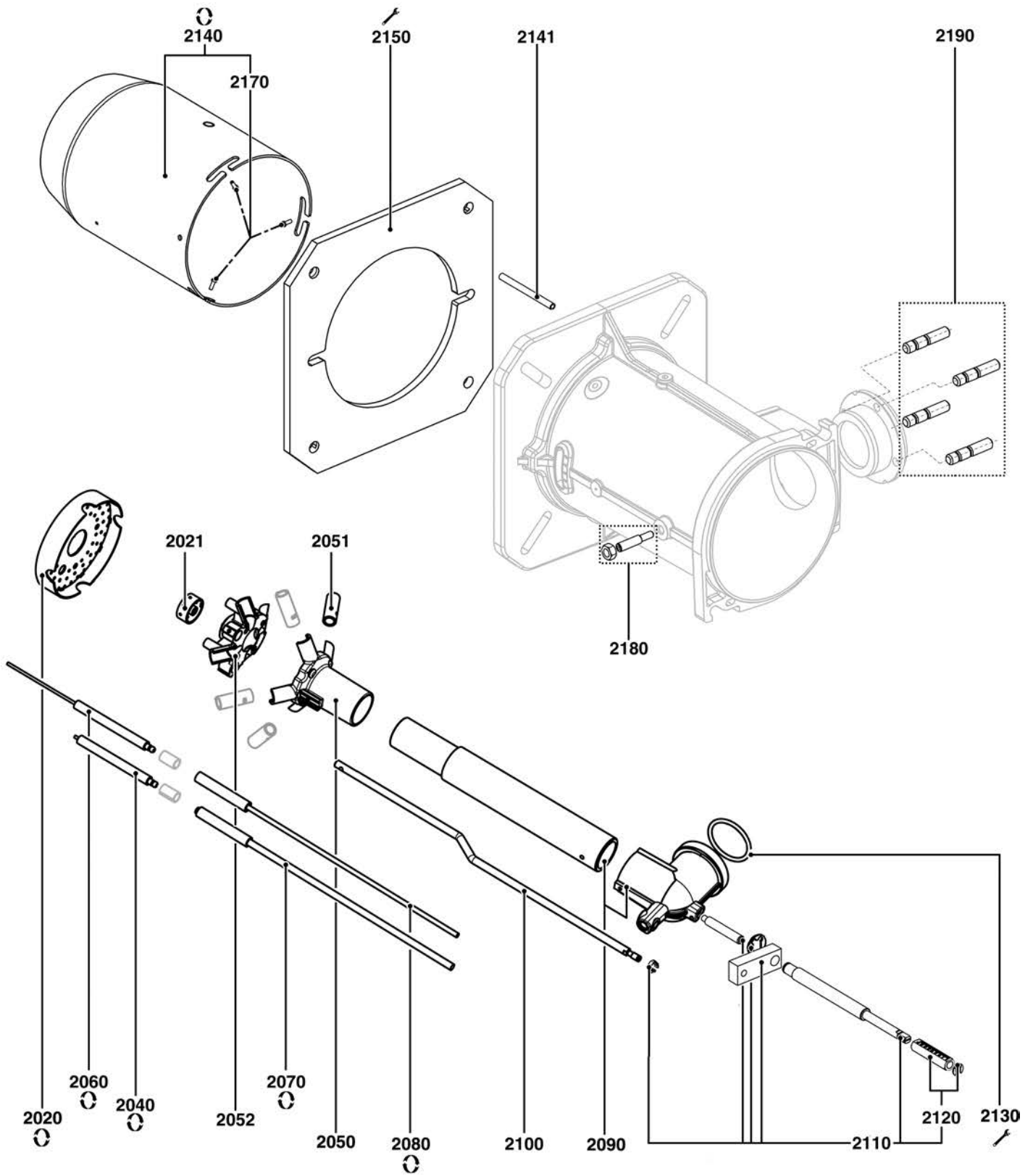
1000



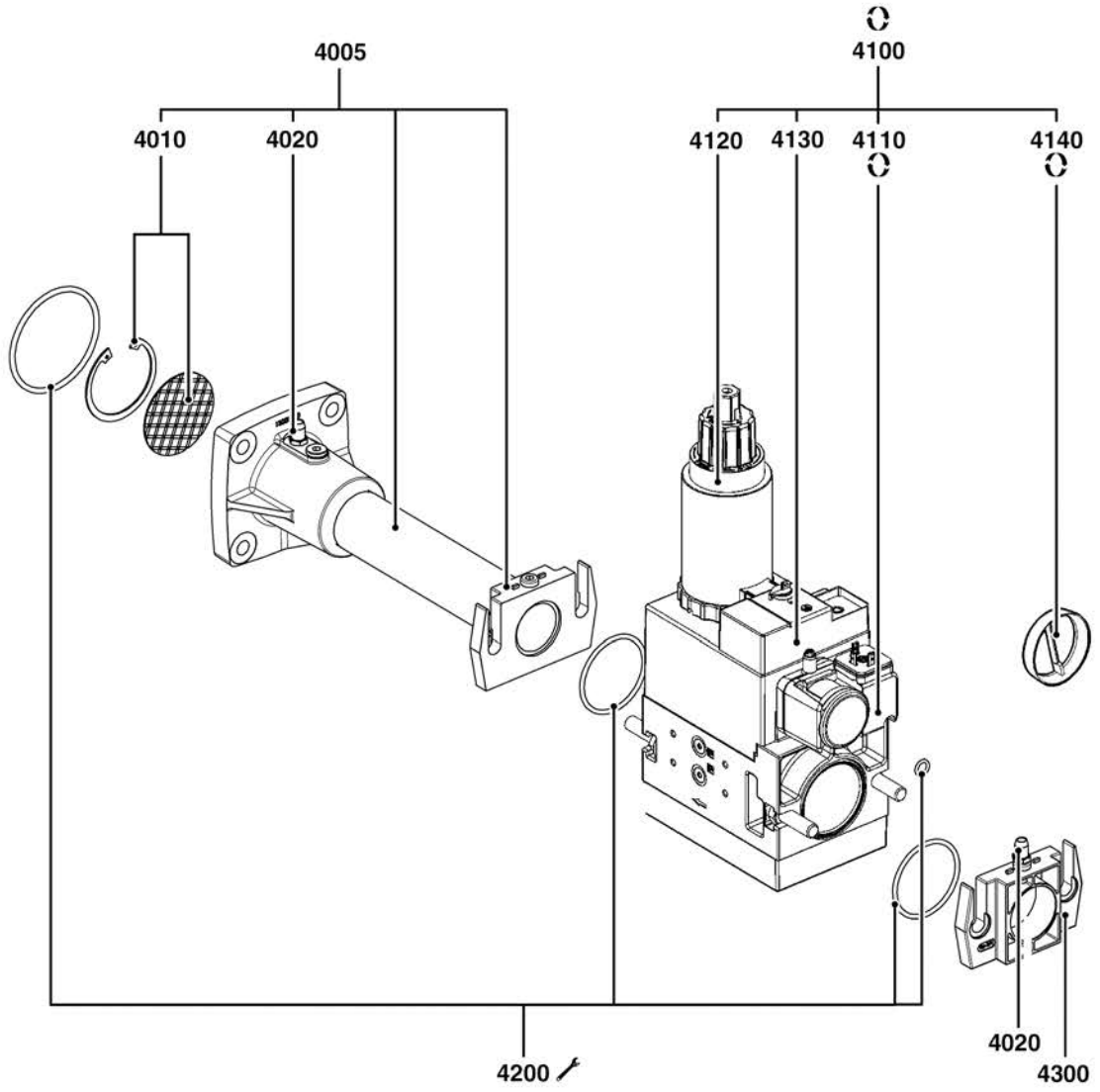
1500













|      |  |  | DE   | FR   | IT                                       |  |
|------|---|---|--|--|--|---|
|      |   |   | NL   | ES   |  |   |
| 1010 | 65300808  |   | ISOLIERUNG -LUFTKASTEN VL+VG4<br>ISOLATIE LUCHTKAST                                  | ISOLATION BOITE A AIR<br>AISLAMIENTO CAJA DE AIRE                                  | ISOLAMENTO SCATOLA DELL'ARIA             | 1   |
| 1020 | 13017364  |   | ANSAUGLUFTFUEHR. 119/114X60 78°(SCHWARZ)<br>LUCHTGELEIDING 119/114X60 78° (ZWART)    | RECYCLAGE AIR 119/114X60 78° (NOIR)<br>RECICLAJE DE AIRE 119/114X60 78° (NEGRO)    | CONVOGLIATORE ARIA 119/114X60 78° (NERO) | 1   |
| 1030 | 65300715  |   | ZUENDTRAFO EBI 1X11 230V<br>ONTSTEKINGSTRAFO EBI 1X11 230V                           | ALLUMEUR EBI 1X11 230V+PRISE TERRE<br>ENCENDEDOR EBI 1X11 230V                     | TRASFO. ACC. EBI 1X11 230V+PRESA TERRA   | 1   |
| 1040 | 13016845  |   | KABELDURCHFÜHRUNG / GEHÄUSE<br>KABELDOORVOERING                                      | PASSE FIL/CARTER<br>PASACABLES/CÁRTER  | PASSAFILO/ CARTER                        | 1   |
| 1050 | 65300810  |   | LUFTKLAPPE<br>LUCHTKLEP V-G /L 4   | VOLET D'AIR<br>VÁLVULA DE AIRE   | SERRANDA DELL'ARIA                       | 1   |
| 1060 | 65300527  |   | STELLANTR. STE4,5 B0.37/6-R M.KABEL L600<br>REGELMOTOR STE 4,5 B0.37/6-R +KABEL L600 | SERVOMOTEUR STE4,5 B0.37/6-R +CABLE L600<br>SERVOMOTOR STE 4,5 B037/6 R+CABLE L600 | SERVOMOTORE STE 4,5 B0.37/6-R +CAVO L600 | 1   |
| 1070 | 13011096  |   | VENTILATORRAD D180X75 D12,7<br>VENTILATORRAD VG04DP/EK04G/FØ180 X 75                 | TURBINE D180X75 D12,7<br>TURBINA D180X75 D12,7                                     | VENTOLA D180X75 D12,7                    | 1   |
| 1080 | 13011186  |   | TUELLE DIM34X15/12 - 1XD.6,20<br>DRAADDOORVOER DIM34X15/12 - 1XD.6,20                | PASSE-CABLE DIM34X15/12 - 1XD.6,20<br>PASSACABLE DIM34X15/12 - 1XD.6,20            | PASSACAVO DIM34X15/12 - 1XD.6,20         | 1   |
| 1081 | 13020685  |   | KABELTUELLE DIM34X15/12 1xD3,25<br>KABELDOORVOER DIM34X15/12 1xD3,25                 | PASSE CABLE DIM34X15/12 1xD3,25<br>PASSACABLE DIM34X15/12 1xD3,25                  | PASSACAVO DIM34X15/12 1xD3,25            | 1   |
| 1090 | 65300568  |   | VERSCHLUßBLECH<br>AFSLUITPLAAT   | PLAQUE DE FERMETURE<br>PLACA DE CIERRE   | PIASTRA DI CHIUSURA                      | 1   |
| 1100 | 13007807  |   | SCHAUGLAS BLAU D14/D18<br>KIJKGLASS BLAU D14/D18                                     | VOYANT DE FLAMME BLEU D14XD18<br>VISOR DE LLAMA AZUL D14/D18                       | VISORE DI FIAMMA BLU D14XD18             | 1   |
| 1110 | 65300812  |   | BRENNERHAUBE VECTRON4+SCHRAUBE<br>KAP VECTRON4+BEVESTIGINGSSCHROEF                   | CAPOT VECTRON4+VIS<br>CUBIERTA VECTRON4+TORNILLO DE FIJACIÓN                       | COFANO VECTRON4+VITE DI FISSAG.          | 1   |
| 1120 | 65300519  |   | FLACHKOPF-SCHRAUBE M5X15+SPITZE<br>PLATKOPSCHROEF M5X15                              | VIS A TETE PLATE M5X15<br>TORNILLO DE CABEZA PLANA M5X15                           | VITE A TESTA PIANA M5X15                 | 1   |
| 1130 | 65327491  |   | LUFTDRUCKNIPPEL G1/8+ROHR D4/6 L53 90°<br>MEETAANSLUITING G1/8+BUIJS D4/6 L53 90°    | PRISE PRES.AIR G1/8+TUBE D4/6 L53 90°<br>TOMA P.AIRE G1/8+TUBO D4/6 L53 90°        | PRESA PRES.ARIA G1/8+TUBO D4/6 L53 90°   | 1   |
| 1140 | 13015497  |   | SCHLAUCH ID4/7X500 SILIKON TRANSPARENT<br>SLANG D4/7 L500 SILIKON                    | TUYAU D4/7 L500 SILICONE<br>MANGUERA D4/7 L500 SILICONA                            | TUBETTO D4/7 L500 SILICONE               | 1   |
| 1150 | 65301178  |   | KONDENSATOR 16µF 2P 3MM<br>CONDENSATOR 16µF 2P 3MM                                   | CONDENSATEUR 16µF 2P 3MM<br>CONDENSADOR 16µF 2P 3MM                                | CONDENSATORE 16µF 2P 3MM                 | 1   |
| 1160 | 65300813  |   | MOTOR 0,42KW 230V D12,7<br>BRANDERMOTOR V-G /L 4 460, 0,42KW                         | MOTEUR 0,42KW 230V D12,7<br>MOTOR 0,42KW 230V D12,7                                | MOTORE 0,42KW 230V D12,7                 | 1   |
| 1170 | 13020723  |   | HALTER D32 LUFTDRUCKWAECHTER HUB<br>LUCHTDRUKSCHAKELAAR STEUN D32                    | SUPPORT MANOSTAT AIR D32<br>SOPORTE DEL MANOSTATO DE AIRE D32                      | SUPPORTO PRESSOSTATO DELL'ARIA D32       | 1   |
| 1180 | 13020722  |   | LUFTDRUCKWAECHTER 604.92 1-10MB+RAST<br>LUCHTDRUKSCHAKELAAR 604.92 1-10MB+RAST       | MANOSTAT AIR 604.92 1-10MB+RAST<br>PRESOSTATO AIRE 604.92 1-10MB+RAST              | PRESSOSTATO ARIA 604.92 1-10MB+RAST      | 1   |
| 1190 | 65327476  |   | DICHTUNG D2,3 L485 EPDM GESCHÄUMT<br>SEALSCHUIM EPDM D2,3 L485                       | JOINT EN MOUSSE EPDM D2,3 L485<br>JUNTA DE ESPUMA EPDM D2,3 L485                   | GUARNIZIONE D2,3 L485 IN EPDM ESPANSO    | 1   |
| 1510 | 65301069  |   | RELAIS BG F.GEBLAESEMOTOR<br>HULPRELAIS BRANDERMOTOR                                 | RELAIS AUX. / MOTEUR DE VENTIL.<br>RELÉ AUXIL. DEL MOTOR DE VENTIL.+CONN.          | RELE AUSIL. MOTORE DEL VENTILATORE       | 1   |
| 1520 | 65300158  |   | IONISATIONS KABEL MC4/RAST1P L350<br>IONISATIEKABEL MC4/RAST1P L350                  | CABLE IONISATION MC4/RAST1P L350<br>CABLE IONIZACION MC4/RAST1P L350               | CAVO RIVELAZIONE MC4/RAST1P L350         | 1   |
| 1530 | 65300880  |   | FEUERUNGSAUTOMAT TCG 211.00<br>BRANDERAUTOMAAT TCG 211.00                            | COFFRET TCG 211.00<br>PROGRAMADOR TCG 211.00                                       | APPARECCHIATURA TCG 211.00               | 1   |
| 1540 | 65300524  |   | HALTER ZU FEUERUNGSAUTOMAT + ANZEIGEEINH<br>STEUN VAN DE AUTOMAAT+DISPLAY            | SUPPORT COFFRET+AFFICHEUR<br>SOPORTE DEL CAJETÍN+PANTALLA                          | SUPPORTO PROGRAMMATORE+VISUALIZ.         | 1   |
| 1550 | 65301109  |   | ANZEIGE/FEUERUNGS AU. TCG-TCH R2.2 + KABEL<br>AANWIJS EN BEDIENENHEID TCG/TCH R.2.2  | AFFICHEUR/COFFRET TCG-TCH REL. 2.2<br>PANTALLA P. PROGRAMADOR TCG-TCH REL.2.2      | DISPLAY PER APPARECCHIA.TCG-TCH REL.2.2  | 1   |
| 1560 | 65300531  |   | KABEL+STECKER WIE. 4P/RAST3P L250<br>KABEL+STEKKER WIE. 4P/RAST3P L250               | CABLE+PRISE WIE. 4P/RAST3P L250<br>CABLE+TOMA WIE. 4P/RAST3P L250                  | CAVO+PRESA WIE. 4P/RAST 3P L250          | 1   |
| 1570 | 65300570  |   | KABEL GASVENTIL+STCK DIN/RAST5P L1500<br>KABEL GASKLEP+STCKDIN/RAST5P L1500          | CABLE VANNE GAZ+PRISE DIN/RAST5P L1500<br>CABLE VALVULA GAS+TOMA DIN/RAST5P L1500  | CAVO VALVOLA GAS+PRESA DIN/RAST5P L1500  | 1   |
| 1580 | 13023698  |   | KABEL GDW.+STECKER DIN/RAST2P L1500<br>G.DRUKSCHAKEL.KABEL+STCKDIN/RAST2P L1500      | CABLE MANO GAZ+PRISE DIN/RAST2P L1500<br>CABLE PRESOST.AIRE+TOMA DIN/RAST2P L1500  | CAVO PRESSOST.GAS+PRESA DIN/RAST2P L1500 | 1   |
| 1590 | 65300619  |   | KABEL ZÜNDTRAFO+STCK 2P/RAST2P L350<br>ONTSTEKINGSTRAFOKAB.+STEK.2P/RAST2P L350      | CABLE ALLUMEUR+PRISE 2P/RAST2P L350<br>CABLE ENCENDEDOR+TOMA 2P/RAST2P L350        | CAVO TRASFO ACCENS.+PRESA 2P/RAST2P L350 | 1   |
| 1600 | 13010519  |   | KABEL MOTOR+STECKER 3P/RAST3P L300<br>KABEL MOTOR+STCK3P/RAST3P L300                 | CABLE MOTEUR+PRISE 3P/RAST3P L300<br>CABLE MOTOR+TOMA 3P/RAST3P L300               | CAVO MOTORE+PRESA 3P/RAST3P L300         | 1   |
| 2020 | 65111864  |   | STAUSCHEIBE D120/30X25 62DRIL.<br>STUWPLAAT D120/30X25 62DRIL.                       | DEFLECTEUR D120/30X25 62DRIL.<br>DEFLECTOR D120/30X25 62DRIL.                      | DIFFUSORE D120/30X25 62DRIL.             | 1   |
| 2021 | 65324716  |   | GASDUESE D30/5,5X13 8 DRILL. D2,5<br>GAS VERSPREIDER D30/5,5X13 8 DRILL. D2,5        | DIFFUSEUR GAZ D30/5,5X13 8 PERC. D2,5<br>DIFUSOR GAS D30/5,5X13 8 DRILL. D2,5      | INIETTORE GAS D30/5,5X13 8 FORI D2,5     | 1   |
|      | 65324717  |   | GASDUESE LPG D33/5,5X10 8 DRILL. D1,5<br>VERSPREIDER LPG D33/5,5X10 8 DRILL. D1,5    | DIFFUSEUR GPL D33/5,5X10 8 PERC. D1,5<br>DIFUSOR GPL D33/5,5X10 8 DRILL. D1,5      | INIETTORE LPG D33/5,5X10 8 FORI D1,5     | 1   |
| 2040 | 65324331  |   | ZUENDELEKTRODE D10X100 d6,4 D3X7<br>ONTSTEKINGSPEN D10X100 d6,4 D3X7                 | ELECTRODE ALLUMAGE D10X100 d6,4 D3X7<br>ELECTRODO ENCENDIDO D10X100 d6,4 D3X7      | ELETTRODO ACCENSIONE D10X100 d6,4 D3X7   | 1   |
| 2050 | 65324694  |   | GASKOPF L78 D107/35 4 BRANCH.<br>GASKOP L78 D107/35 4 BRANCH.                        | TETE GAZ L78 D107/35 4 BRANCHES<br>CABEZA GAS L78 D107/35 4 BRANCH.                | TESTA GAS L78 D107/35 4 BRANCH.          | 1   |
| 2051 | 65324714  |   | GASDUESE D14/10 L37 OPEN. 3X10<br>GASVERSPREIDER D14/10 L37 OPEN. 3X10               | DIFFUSEUR GAZ D14/10 L37 OUV. 3X10<br>DIFUSOR GAS D14/10 L37 OPEN. 3X10            | INIETTORE GAS D14/10 L37 APERT. 3X10     | 1   |

|      |          | DE   | FR   | IT                                       |   |
|------|----------|--|--|--|---|
|      |          | NL   | ES   |  |   |
|      | 65324715 | GASDUESE D14/8 L37 1 DRILL. D3,25<br>GASVERSPREIDER D14/8 L37 1 DRILL. D3,25       | DIFFUSEUR GAZ D14/8 L37 1 PERC. D3,25<br>DIFUSOR GAS D14/8 L37 1 DRILL. D3,25        | INIETTORE GAS D14/8 L37 1 FORO D3,25     | 1 |
| 2052 | 65324539 | STOPF.GASKOPFAUFSATZ D88 L33 2XD6,5 4 BR<br>STOP GASKOP D88 L33 2XD6,5 4 BR.       | CALOTTE TETE GAZ D88 L33 2XD6,5 4 BR.<br>TAPÓN CABEZA GAS D88 L33 2XD6,5 4 BR.       | TAPPO TESTA GAS D88 L33 2XD6,5 4 BR.     | 1 |
| 2060 | 65320950 | IONISATIONSSONDE D10X100 d6,4 D3X100<br>IONISATIEPEN D10X100 d6,4 D3X100           | SONDE IONISATION D10X100 d6,4 D3X100<br>SONDA IONIZACION D10X100 d6,4 D3X100         | SONDA RIVELAZIONE D10X100 d6,4 D3X100    | 1 |
| 2070 | 65326130 | ZÜNDKABEL D4/D4 L1010 M. GEB. STECKER<br>ONTSTEKINGSKABEL D4/D4 L1010 ELBOW PLUG   | CABLE ALLUMAGE D4/D4 L1010 PRISE COUDEE<br>CABLE ENCENDIDO D4/D4 L1010 ELBOW PLUG    | CAVO ACCENSIONE D4/D4 L1010 CONN.GOM.    | 1 |
|      | 65326132 | ZÜNDKABEL D4/D4 L690 M. GEB. STECKER<br>ONTSTEKINGSKABEL D4/D4 L690 ELBOW PLUG     | CABLE ALLUMAGE D4/D4 L690 PRISE COUDEE<br>CABLE ENCENDIDO D4/D4 L690 ELBOW PLUG      | CAVO ACCENSIONE D4/D4 L690 CONN.GOM.     | 1 |
| 2080 | 65327471 | IONISATIONSKABEL D5 L650 D4M/D7F<br>IONISATIEKABEL D5 L650 D4M/D7F                 | CABLE IONISATION D5 L650 D4M/D7F<br>CABLE IONIZACION D5 L650 D4M/D7F                 | CAVO RIVELAZIONE D5 L650 D4M/D7F         | 1 |
|      | 65327477 | IONISATIONSKABEL D5 L790 D4M/D7F<br>IONISATIEKABEL D5 L790 D4M/D7F                 | CABLE IONISATION D5 L790 D4M/D7F<br>CABLE IONIZACION D5 L790 D4M/D7F                 | CAVO RIVELAZIONE D5 L790 D4M/D7F         | 1 |
| 2090 | 65327473 | GASROHR D35/40 L270 (T1/KN)<br>GASBUIS D35/40 L270 (T1/KN)                         | TUBE GAZ D35/40 L270 (T1/KN)<br>TUBERIA GAS D35/40 L270 (T1/KN)                      | TUBO GAS D35/40 L270 (T1/KN)             | 1 |
|      | 65327479 | GASROHR D35/40 L410 (T2/KL)<br>GASBUIS D35/40 L410 (T2/KL)                         | TUBE GAZ D35/40 L410 (T2/KL)<br>TUBERIA GAS D35/40 L410 (T2/KL)                      | TUBO GAS D35/40 L410 (T2/KL)             | 1 |
| 2100 | 65327472 | SCHUBSTANGE NC46-VG4.440 (T1/KN)<br>STELSTANG NC46-VG4.440 (T1/KN)                 | TIGE REGLAGE NC46-VG4.440 (T1/KN)<br>VARILLA AJUSTE NC46-VG4.440 (T1/KN)             | ASTA REGOLAZIONE NC46-VG4.440 (T1/KN)    | 1 |
|      | 65327478 | SCHUBSTANGE NC46-VG4.440 (T2/KL)<br>STELSTANG NC46-VG4.440 (T2/KL)                 | TIGE REGLAGE NC46-VG4.440 (T2/KL)<br>VARILLA AJUSTE NC46-VG4.440 (T2/KL)             | ASTA REGOLAZIONE NC46-VG4.440 (T2/KL)    | 1 |
| 2110 | 65300821 | SCHUBSTANGE D8/12/10X172+DISTANZROHR L45<br>STELSTANG D8/12/10 L172+SPACER L45     | TIGE REGLAGE D8/12/10X172+ENTRETOISE L45<br>VARILLA AJUSTE D8/12/10 L172+ESPACIAL45  | ASTA REGUL.D8/12/10 L172+DISTANZIALE L45 | 1 |
| 2120 | 65300554 | EINSTELLSKALA+CLIPS<br>NONIUS+KLEMMETJE  | VERNIER+CIRCLIPS<br>NONIO+CIRCLIPS   | REGOLATORE+ANELLI ELASTICI               | 1 |
| 2130 | 13015499 | O-RING D45X4<br>O-RING D45X4   | O-RING D45X4<br>O-RING D45X4   | O-RING D45X4                             | 1 |
| 2140 | 65327475 | FLAMMENROHR D150/157/116X277 (T1/KN)<br>BRANDERBUIJS D150/157/116X277 (T1/KN)      | TUBE DE FLAMME D150/157/116X277 (T1/KN)<br>TUBO DE LLAMA D150/157/116X277 (T1/KN)    | BOCCAGLIO D150/157/116X277 (T1/KN)       | 1 |
|      | 65327480 | FLAMMENROHR D150/157/116X417 (T2/KL)<br>BRANDERBUIJS D150/157/116X417 (T2/KL)      | TUBE DE FLAMME D150/157/116X417 (T2/KL)<br>TUBO DE LLAMA D150/157/116X417 (T2/KL)    | BOCCAGLIO D150/157/116X417 (T2/KL)       | 1 |
| 2141 | 65301184 | DRUCKROHR FEUERRAUM L200MM<br>BUIJS KAMERDRUK LG.200MM                             | TUBE PRESSION FOYER LG.200MM<br>TUBO DE PRESIÓN DEL HOGAR LG. 200MM                  | TUBO PRESSIONE CAMERA LG.200MM           | 1 |
|      | 65301185 | DRUCKROHR FEUERRAUM L350MM<br>BUIJS KAMERDRUK LG.350MM                             | TUBE PRESSION FOYER LG.350MM<br>TUBO DE PRESIÓN DEL HOGAR LG.350MM                   | TUBO PRESSIONE CAMERA LG.350MM           | 1 |
| 2150 | 65327474 | DICHTUNG/BRENNERFLANSCH 242X242X8 D161<br>PAKKING GASVOORZETSTUK 242X242X8 D161    | JOINT/BRIDE BRULEUR 242X242X8 D161<br>JUNTA/BRIDA QUEMADOR 242X242X8 D161            | GUARNIZIONE/FLANGIA BRUC. 242X242X8 D161 | 1 |
| 2170 | 13007804 | SCHRAUBEN-SET M6X1 LINKSGEWINDE/VPE 3STK<br>M6-BEV.SCHROEF(LINKER)BRANDERBUIJS(X3) | VIS M6 (PAS GAUCHE)FIX.TUBE FLAMME(3PCS)<br>TORNILLOS M6 (R.IZQ.)FIJ.TUBO QUEMA.(X3) | VITE M6 (PASSO SX) FISS. BOCCAGLIO(3 PZ) | 1 |
| 2180 | 65300557 | SCHRAUBE+MUTTER M8X40<br>SCHROEF+MOER M8X40  | VIS+ECROU M8X40<br>TORNILLO+TUERCA M8X40   | VITE+DADO M8X40                          | 1 |
| 2190 | 13016814 | SATZ GEGENMUTTER+SENKSCHEIBE M10X40<br>SET 4 MOERNER M10 + NOPPEN M10X40           | KIT 4 ECROUS M10+ GOIJONS M10X40<br>KIT 4 TUERCAS M10+PASADORES M10X40               | KIT 4 DADI M10 + PRIGIONIERI M10X40      | 1 |
| 4005 | 65300571 | GASANSCHLUBROHR MB 412 11/4Z<br>GASAANSLUITBUIJS 1 1/4 - MB...412                  | COLLECTEUR CPL. 1 1/4 - MB...412<br>COLECTOR ACPL. CPL. 1 1/4 - MB...412             | COLLETTORE ACC. 1/4 - MB...412           | 1 |
|      | 65300572 | GASANSCHLUBROHR MB 408 3/4Z<br>GASAANSLUITBUIJS CPL. 3/4" - MB...407               | COLLECTEUR CPL. 3/4" - MB...407<br>COLECTOR ACPL. 3/4" - MB...407                    | COLLETTORE ACC. 3/4" - MB...407          | 1 |
|      | 65300655 | GASANSCHLUBROHR MB 420 2Z<br>AANSLUITBUIJS CPL. 2" - MB...420                      | COLLECTEUR CPL. 2" - MB...420<br>COLECTOR CPL. 2" - MB...420                         | COLLETTORE ACC. 2" - MB...420            | 1 |
| 4010 | 13011367 | SICHERUNGSRING U.STABILISATOR D60<br>STABILISATOR+BORGVEREN D60                    | STABILISATEUR+CIRCLIPS D60<br>ESTABILIZADOR+ ANILLO DE RETÉN D60                     | STABILIZZATORE+BOCCOLA DI CHIUSURA D60   | 1 |
| 4020 | 13009722 | MESSNIPPEL GERADE R1/8Z-VERPACKT<br>DRUKAANSLUITING R1/8                           | PRISE PRESSION R1/8<br>TOMA PRESIÓN R1/8   | PRESA PRESSIONE R1/8                     | 1 |
| 4100 | 13011112 | GASVENTIL MB-ZRDLE407 B01 S50 RP3/4<br>GASKLEP MBZRDLE407 B01 S50 RP3/4            | VANNE GAZ MB-ZRDLE407B01 S50 RP3/4 GW150<br>VALVULA GAS MBZRDLE407 B01 S50 RP3/4     | VALVOLA GAS MB-ZRDLE407 B01 S50 RP3/4    | 1 |
|      | 13012275 | GASVENTIL MB-ZRDLE412 B01 S20 RP1 1/4<br>GASKLEP MBZRDLE412 B01 S20 RP11/4         | VANNE GAZ MB-ZRDLE412 B01 S20 RP1 1/4<br>VALVULA GAS MBZRDLE412 B01 S20 RP11/4       | VALVOLA GAS MB-ZRDLE412 B01 S20 RP1 1/4  | 1 |
|      | 65300664 | GASVENTIL MBZRDLE420 B01 S20 RP2<br>GASKLEP MBZRDLE420 B01 S20 RP2"                | VANNE GAZ MBZRDLE420 B01 S20 RP2"<br>VALVULA GAS MBZRDLE420 B01 S20 RP2"             | VALVOLA GAS MBZRDLE420 B01 S20 RP2"      | 1 |
| 4110 | 13010078 | GASDRUCKWACHTER GW 150 A5 5-150MB<br>GASDRUKSCHAKELAAR GW 150 A5 5-150MB           | MANOSTAT GAZ GW 150 A5 5-150MB<br>PRESOSTATO GAS GW 150 A5 5-150MB                   | PRESSOSTATO GAS GW 150 A5 5-150MB        | 1 |
| 4120 | 13010073 | SPULE DUN N° 1150 V2 MBZRDLE405-407<br>SPOEL DUN N° 1150 V2 MBZRDLE405-407         | BOBINE DUN N° 1150 V2 MBZRDLE405-407<br>BOBINA DUN N° 1150 V2 MBZRDLE405-407         | BOBINA DUN N° 1150 V2 MBZRDLE405-407     | 1 |
|      | 13012272 | SPULE DUN N° 1250 V2 MBZRDLE410-412<br>SPOEL DUN N° 1250 V2 MBZRDLE410-412         | BOBINE DUN N° 1250 V2 MBZRDLE410-412<br>BOBINA DUN N° 1250 V2 MBZRDLE410-412         | BOBINA DUN N° 1250 V2 MBZRDLE410-412     | 1 |
|      | 13017275 | SPULE DUN N° 1350 V2 MBZRDLE420<br>SPOEL DUN N° 1350 V2 MBZRDLE420                 | BOBINE DUN N° 1350 V2 MBZRDLE420<br>BOBINA DUN N° 1350 V2 MBZRDLE420                 | BOBINA DUN N° 1350 V2 MBZRDLE420         | 1 |
| 4130 | 13010072 | SPULE DUN N° 1101 V1 MBZRDLE405-407<br>SPOEL DUN N° 1101 V1 MBZRDLE405-407         | BOBINE DUN N° 1101 V1 MBZRDLE405-407<br>BOBINA DUN N° 1101 V1 MBZRDLE405-407         | BOBINA DUN N° 1101 V1 MBZRDLE405-407     | 1 |
|      | 13012273 | SPULE DUN N° 1201 V1 MBZRDLE410-412<br>SPOEL DUN N° 1201 V1 MBZRDLE410-412         | BOBINE DUN N° 1201 V1 MBZRDLE410-412<br>BOBINA DUN N° 1201 V1 MBZRDLE410-412         | BOBINA DUN N° 1201 V1 MBZRDLE410-412     | 1 |



|  |  |      |  |  |  |
|---|---|---|---|---|---|
| 1010  | 65300808  | ИЗОЛЯЦИЯ ВОЗДУШНОГО БЛОКА<br>İZOLASYONU HAVA KUTUSU                                   | ISOLAMENTO CAIXA DE ENTRADA DE AR   | IZOLACJA OBUDOWA UKŁADU POWIETRZA   | 1   |
| 1020  | 13017364  | ЗАСЛОН.РЕЦИРК.ВОЗДУХА 119/114X60(ЧЕРНЫЙ)<br>HAVA GERİ DÖNÜŞÜMÜ 119/114X60 78°(SIYAH)  | RECICLAGEM DE AR 119/114X60 78° (PRETO)   | RECYRKUL.POWIETR. 119/114X60 78°(CZARNY)  | 1   |
| 1030  | 65300715  | ТРАНСФО РОЗЖИГА ЕВІ 1X11 230V<br>ATEŞLEME TRAFÖ. EBI 1X11 230V+TOPRAK SO.             | TRANSFO IGNIÇÃO EBI 1X11 230V   | TRANSFOZAPL.EBI 1X11 230V+UZIEMI.ZŁĄCZE   | 1   |
| 1040  | 13016845  | МУФТА ПРОПУСКА ПРОВОДА/КАРТЕР<br>KABLO KANALI/KARTER                                  | PASSA-CABOS/CAIXA   | PRZELOTKA PRZEWODU/OBUDOWA  | 1   |
| 1050  | 65300810  | ВОЗДУШНАЯ ЗАСЛОНКА<br>HAVA KLAPESI  | ALETA DE AR   | PRZEPUSTNICA POWIETRZA  | 1   |
| 1060  | 65300527  | СЕРВОДВИГАТ. STE 4,5 B0.37/6-R +КАБЕ. L600<br>SERVOMOTOR STE 4,5 B0.37/6-R KABLO L600 | SERVOMOTOR STE 4,5 B0.37/6-R +CABO L600   | SERWOMOTOR STE 4,5 B0.37/6-R +KABEL L600  | 1   |
| 1070  | 13011096  | РАБОЧЕЕ КОЛЕСО D180X75 D12,7<br>TÜRBİN D180X75 D12,7                                  | TURBINA D180X75 D12,7   | WIMIK D180X75 D12,7   | 1   |
| 1080  | 13011186  | РЕЗИНОВАЯ ВОРОНКА DIM34X15/12 - 1XD.6,20<br>KABLO KANALI DIM34X15/12 - 1XD.6,20       | FUNIL DIM34X15/12 - 1XD.6,20  | PRZELOTKA DIM34X15/12 - 1XD.6,20  | 1   |
| 1081  | 13020685  | МУФТА ПРОПУСКА ПРОВОДА D34x15/12 1xD3,25<br>KABLO KANALI DIM34x15/12 1xD3,25          | PASSA-FIO DIM34x15/12 1xD3,25   | PRZELOTKA PRZEWODU D34x15/12 1xD3,25  | 1   |
| 1090  | 65300568  | ПЛАСТИНА ПЕРЕКРЫВАНИЯ<br>KARAMA PLAKASI   | PLACA DE BLOQUEIO   | PLYTA ZAMYKAJĄCA  | 1   |
| 1100  | 13007807  | СМОТРОВОЕ ОКНО D14/D18<br>RÖGAR CAMI D14/D18  | VIGIA D14/D18   | SZKŁO PODGLĄDU D14/D18  | 1   |
| 1110  | 65300812  | ЧЕХОЛ VECTRON4+ВИНТ КРЕПЛЕНИЯ<br>MUHAFAZA KARAĞI VECTRON4+BAĞLANTI VIDA               | EXTRATOR VECTRON4+PARAFUSO DE FIXAÇÃO   | POKRYWA VECTRON4+SRUBA MOCUJĄCA   | 1   |
| 1120  | 65300519  | ВИНТ С ПЛОСКОЙ ГОЛОВКОЙ M5X15<br>DÜZ BAŞLI VIDA M5X15                                 | PARAFUSO CABEÇA PLANA M5X15   | ŚRUBA Z ŁBEM NITOWYM PŁASKIM M5X15  | 1   |
| 1130  | 65327491  | ОТБОР ДАВЛЕНИЯ G1/8+TUBE D4/6 L53 90°<br>BASINÇ GİRİŞİ G1/8+TUBE D4/6 L53 90°         | TOMADA P.AR G1/8+TUBO D4/6 L53 90°  | GNIAZDO P.CIŚNIEN.G1/8+TUBE D4/6 L53 90°  | 1   |
| 1140  | 13015497  | ТРУБА D4/7 L500 СИЛИКОНОВЫЙ<br>BORU D4/7 L500 SILIKON                                 | MANGUEIRA D4/7 L500 SILICONE  | PRZEWÓD D4/7 L500 SILIKON   | 1   |
| 1150  | 65301178  | КОНДЕНСАТОР 16µF 2P 3MM<br>KONDENSATOR 16µF 2P 3MM                                    | CAPACITOR 16µF 2P 3MM   | KONDENSATOR 16µF 2P 3MM   | 1   |
| 1160  | 65300813  | ЭЛЕКТРОДВИГАТЕЛЬ 0,42KW 230V D12,7<br>MOTORU 0,42KW 230V D12,7                        | MOTOR 0,42KW 230V D12,7   | SILNIK 0,42KW 230V D12,7  | 1   |
| 1170  | 13020723  | КРОНШТЕЙН ПНЕВМОРЕЛЕ D32<br>HAVA BASINÇ ŞALTERİ MESNEDİ D32                           | BASE MANÓSTATO AR D32   | WSPORNIK CZUJNIKA CIŚNI. POWIET. D32  | 1   |
| 1180  | 13020722  | РЕЛЕ ДАВ. ВОЗДУХА 604.92 1-10MB+RAST<br>HAVA BASINÇ ŞALT. 604.92 1-10MB+RAST          | MANÓSTATO DE AR 604.92 1-10MB+RAST  | CZUJNIK CIŚ. POW. 604.92 1-10MB+RAST  | 1   |
| 1190  | 65327476  | УПЛОТНЕНИЕ ВСПЕНЕННОЕ EPDM D2,3 L485<br>KÖPÜKLÜ MÜHÜR EPDM D2,3 L485                  | SELO ESPUMADO EPDM D2,3 L485  | USZCZELNIENIE SPIENIONE EPDM D2,3 L485  | 1   |
| 1510  | 65301069  | РЕЛЕ/МОТОР ВЕНТИЛ.+КАБЕЛИ+СОЕДИН.<br>HAVALANDMOT. YEDEK ROELESİ+KABLOL                | RELÉ AUX./MOTOR VENTIL.+CABOS+CONNECT.  | DODATKOWY PRZEKAŹNIK SILNIKA WENTY.   | 1   |
| 1520  | 65300158  | КАБЕЛЬ ИОНИЗАЦ. MC4/RAST1P L350<br>İYONIZASYON KABLOSU MC4/RAST1P L350                | CABO IONIZACION MC4/RAST1P L350   | PRZEWÓD JONIZACYJNY MC4/RAST1P L350   | 1   |
| 1530  | 65300880  | БЛОК УПРАВЛЕНИЯ TCG 211.00<br>KUTU TCG 211.00   | PROGRAMADOR TCG 211.00  | MODUŁ TCG 211.00  | 1   |
| 1540  | 65300524  | ОПОРА БЛОКА УПРАВЛЕНИЯ+ДИСПЛЕЙ<br>KUTU DESTEĞİ+EKRAN                                  | SUPORTE UNIDADE DE CONTROLE+VISOR   | WSPORNIK MODUŁU+WYŚWIETLACZ   | 1   |
| 1550  | 65301109  | ДИСПЛЕЙ БЛОК УПРАВЛЕНИЯ TCG-TCH REL. 2.2<br>EKAN İÇİN KUTU TCG-TCH R2.2 + KABLOSU     | VISOR/PROGRAMADOR TCG-TCH RELEASE 2.2   | WYŚWIETLACZ/MODUŁ TCG-TCH R2.2 + PRZEWÓD  | 1   |
| 1560  | 65300531  | КАБЕЛЬ+ШТЕКЕР WIE. 4P/RAST3P L250<br>KABLOSU+FIŞ WIE. 4P/RAST3P L250                  | CABO+TOMADA WIE. 4P/RAST3P L250   | PRZEWÓD+WTYCZKA WIE. 4P/RAST3P L250   | 1   |
| 1570  | 65300570  | КАБЕЛЬ ГАЗОВЫЙ КЛАПАН+P.DIN/RAST5P L1500<br>GAZ VANASI KABLOSU+PLUGDIN/RAST5P L1500   | CABO VALVULA GAS+TOMADA DIN/RAST5P L1500  | PRZEWÓD ZAWÓR GAZOWY+PL.DIN/RAST5P L1500  | 1   |
| 1580  | 13023698  | КАБЕЛЬ РЕЛЕ ДАВ. ГАЗА+P.DIN/RAST2P L1500<br>GAZ BAS.ŞALT.KABLOSU+PL.DIN/RAST2P L1500  | CABO PRESSOST.GAS+TOMAD.DIN/RAST2P L1500  | PRZEWÓD CZUJN.CIŚ.GAZU+DIN/RAST2P L1500   | 1   |
| 1590  | 65300619  | КАБЕЛЬ ТРАНСФО РОЗЖИГА+ШТ.2P/RAST2P L350<br>KABLOSU ATEŞL. TRAFÖ.+FIŞ 2P/RAST2P L350  | CABO TRANSFO IGNIÇÃO+TOM.2P/RAST2P L350   | PRZEWÓD TRANSFO ZAPL.+WTY.2P/RAST2P L350  | 1   |
| 1600  | 13010519  | КАБЕЛЬ ЭЛЕКТРОДВИГАТЕЛЬ+P.3P/RAST3P L300<br>MOTORU KABLOSU+FIŞ 3P/RAST3P L300         | CABO MOTOR+TOMADA 3P/RAST3P L300  | PRZEWÓD SILNIK+WTYCZKA 3P/RAST3P L300   | 1   |
| 2020  | 65111864  | ДЕФЛЕКТОР D120/30X25 62DRIL.<br>DEFLEKTOR D120/30X25 62DRIL.                          | DEFLECTOR D120/30X25 62DRIL.  | DEFLEKTOR D120/30X25 62DRIL.  | 1   |
| 2021  | 65324716  | ДИФФУЗОР ГАЗА D30/5,5X13 8 DRILL. D2,5<br>GAZ DİFÜZÖRLER D30/5,5X13 8 DRILL. D2,5     | DIFUSOR GAS D30/5,5X13 8 DRILL. D2,5  | DYSZ GAZU D30/5,5X13 8 DRILL. D2,5  | 1   |
|   | 65324717  | ДИФФУЗОР GPL D33/5,5X10 8 DRILL. D1,5<br>LPG DİFÜZÖRLER D33/5,5X10 8 DRILL. D1,5      | DIFUSOR GPL D33/5,5X10 8 DRILL. D1,5  | DYSZ LPG D33/5,5X10 8 DRILL. D1,5   | 1   |
| 2040  | 65324331  | ЭЛЕКТРОД ЗАЖИГАНИЯ D10X100 d6,4 D3X7<br>ATEŞLEYİCİ ELEKTROD D10X100 d6,4 D3X7         | ELETRODO ENCENDIDO D10X100 d6,4 D3X7  | ELEKTRODA ALU. D10X100 d6,4 D3X7  | 1   |
| 2050  | 65324694  | ОГНЕВАЯ ГОЛОВКА L78 D107/35 4 BRANCH.<br>GAZ KAFA L78 D107/35 4 BRANCH.               | CABEÇA GAS L78 D107/35 4 BRANCH.  | GŁOWICA GAZ L78 D107/35 4 BRANCH.   | 1   |
| 2051  | 65324714  | ДИФФУЗОР ГАЗА D14/10 L37 OPEN. 3X10<br>GAZ DİFÜZÖRLER D14/10 L37 OPEN. 3X10           | DIFUSOR GAS D14/10 L37 OPEN. 3X10   | DYSZ GAZU D14/10 L37 OPEN. 3X10   | 1   |

|      |          | RU<br>TR  | PT                                       | PL                                       | X |
|------|----------|---|--|--|---|
|      | 65324715 | ДИФУЗОР ГАЗА D14/8 L37 1 DRILL. D3,25<br>GAZ DIFÜZÖRLER D14/8 L37 1 DRILL. D3,25    | DIFUSOR GAS D14/8 L37 1 DRILL. D3,25     | DYSZ GAZU D14/8 L37 1 DRILL. D3,25       | 1 |
| 2052 | 65324539 | КРЫШКА ОГНЕВАЯ ГОЛОВ. D88 L33 2XD6,5 4 BR.<br>TAPA GAZ KAFA D88 L33 2XD6,5 4 BR.    | TAMPA CABEÇA GAS D88 L33 2XD6,5 4 BR.    | NAKR. GŁOWICA GAZ D88 L33 2XD6,5 4 BR.   | 1 |
| 2060 | 65320950 | ДАТЧИК ИОНИЗАЦИОННОГО D10X100 d6,4d3X100<br>İYONIZASYON SONDA D10X100 d6,4 D3X100   | SONDA IONIZACION D10X100 d6,4 D3X100     | SONDA JONIZACYJNY D10X100 d6,4 D3X100    | 1 |
| 2070 | 65326130 | КАБЕЛЬ РОЗЖИГА D4/D4 L1010 ELBOW PLUG<br>ATEŞLEME KABLOSU D4/D4 L1010 ELBOW PLUG    | CABO ENCENDIDO D4/D4 L1010 ELBOW PLUG    | PRZEWÓD ALU.D4/D4 L1010 ELBOW PLUG       | 1 |
|      | 65326132 | КАБЕЛЬ РОЗЖИГА D4/D4 L690 ELBOW PLUG<br>ATEŞLEME KABLOSU D4/D4 L690 ELBOW PLUG      | CABO ENCENDIDO D4/D4 L690 ELBOW PLUG     | PRZEWÓD ALU.D4/D4 L690 ELBOW PLUG        | 1 |
| 2080 | 65327471 | КАБЕЛЬ ИОНИЗАЦИОННОГО D5 L650 D4M/D7F<br>İYONIZASYON KABLOSU D5 L650 D4M/D7F        | CABO IONIZACION D5 L650 D4M/D7F          | PRZEWÓD JONIZACYJNY D5 L650 D4M/D7F      | 1 |
|      | 65327477 | КАБЕЛЬ ИОНИЗАЦИОННОГО D5 L790 D4M/D7F<br>İYONIZASYON KABLOSU D5 L790 D4M/D7F        | CABO IONIZACION D5 L790 D4M/D7F          | PRZEWÓD JONIZACYJNY D5 L790 D4M/D7F      | 1 |
| 2090 | 65327473 | ТРУБКА ГАЗОВЫЕ D35/40 L270 (T1/KN)<br>TUPLU GAZ D35/40 L270 (T1/KN)                 | TUBO GAS D35/40 L270 (T1/KN)             | BORUSU GAZOWY D35/40 L270 (T1/KN)        | 1 |
|      | 65327479 | ТРУБКА ГАЗОВЫЕ D35/40 L410 (T2/KL)<br>TUPLU GAZ D35/40 L410 (T2/KL)                 | TUBO GAS D35/40 L410 (T2/KL)             | BORUSU GAZOWY D35/40 L410 (T2/KL)        | 1 |
| 2100 | 65327472 | РЕГУЛИР. СТЕРЖЕНЬ NC46-VG4.440 (T1/KN)<br>AYAR ÇUBUĞU NC46-VG4.440 (T1/KN)          | HASTE AJUSTE NC46-VG4.440 (T1/KN)        | TRZPIEŃ REGULACYJNY NC46-VG4.440 (T1/KN) | 1 |
|      | 65327478 | РЕГУЛИР. СТЕРЖЕНЬ NC46-VG4.440 (T2/KL)<br>AYAR ÇUBUĞU NC46-VG4.440 (T2/KL)          | HASTE AJUSTE NC46-VG4.440 (T2/KL)        | TRZPIEŃ REGULACYJNY NC46-VG4.440 (T2/KL) | 1 |
| 2110 | 65300821 | РЕГУЛИ. СТЕРЖЕНЬ D8/12/10 L172+SPACER L45<br>AYAR ÇUBUĞU D8/12/10 L172+SPACER L45   | HASTE AJUSTE D8/12/10 L172+ESPAÇADOR L45 | TRZPIEŃ REG.D8/12/10 L172+ODSTEPNIK L45  | 1 |
| 2120 | 65300554 | ВЕРНЬЕР+СТОПОРНОЕ КОЛЬЦО<br>VERNİYE+HALKA SEGMAN                                    | ESCALA DE REGULAÇÃO+ANÉIS DE RETENÇÃO    | GŁĘBOKOŚCIOMIERZ Z NONIUSZEM+PIERŚCIEŃ S | 1 |
| 2130 | 13015499 | О-КОЛЬЦО D45X4<br>O-RING D45X4  | O-RING D45X4                             | O-RING D45X4                             | 1 |
| 2140 | 65327475 | СОПЛО ГОРЕЛКИ D150/157/116X277 (T1/KN)<br>BRÜLÖR BORUSU D150/157/116X277 (T1/KN)    | TUBO QUEIMADOR D150/157/116X277 (T1/KN)  | RURA PALNIKA D150/157/116X277 (T1/KN)    | 1 |
|      | 65327480 | СОПЛО ГОРЕЛКИ D150/157/116X417 (T2/KL)<br>BRÜLÖR BORUSU D150/157/116X417 (T2/KL)    | TUBO QUEIMADOR D150/157/116X417 (T2/KL)  | RURA PALNIKA D150/157/116X417 (T2/KL)    | 1 |
| 2141 | 65301184 | ТРУБКА ОТБОРА ДАВЛЕНИЯ ТОП. КАМЕР<br>OSAÇ TERTİBATI BASINÇ BORU. LG.200MM           | TUBO DE PRESSÃO FORNALHA COMP.200MM      | PRZEWÓD CIŚNIENIA W PALENISKU            | 1 |
|      | 65301185 | ТРУБКА ОТБОРА ДАВЛЕ. В ПОПОЧНОЙ КАМЕРЕ<br>OSAÇ TERTİBATI BASINÇ BORUSU LG.350MM     | TUBO DE PRESSÃO DO FORNO LG.350MM        | PRZEWÓD CIŚNIENIA W PALENISKU LG.350MM   | 1 |
| 2150 | 65327474 | ПРОКЛАДКА/ФЛАНЕЦ ГОРЕЛКИ 242X242X8 D161<br>CONTASI/BRULOR FLANŞI 242X242X8 D161     | GAXETA/FLANGE QUEIMADOR 242X242X8 D161   | USZCZELKA/KOŁNIERZ PAL. 242X242X8 D161   | 1 |
| 2170 | 13007804 | ВИНТ М6 (ЛЕВ РЕЗЬБ) КРЕПЛ. ТРУБ ГОРЕЛКИ<br>BRÜLÖR TÜRÜ M6 TESPİT VİDASI(SOLA DÖNÜŞ) | PARAFUSO M6 (PASSO ESQ.) TUBO QUEIMADOR  | ŚRUBA M6 (LEWOSKRĘTNA) MOC. RURĘ PALNIKA | 1 |
| 2180 | 65300557 | ВИНТ+ГАЙКА М8Х40<br>BRÜLOER BORU BAĞLANTISI M8X40                                   | PARAFUSO+PORCA M8X40                     | MOCOWANIA RURY PALNIKA M8X40             | 1 |
| 2190 | 13016814 | КОМПЛЕКТ 4 ГАЙКИ М10 + ШПИЛЬКИ М10Х40<br>KIT 4 SOMUNLAR M10 + SAPLAMALAR M10X40     | KIT 4 PORÇAS M10+PRISIONEİROS M10X40     | ZESTAW 4 NAKRĘTKI M10 + KOŁKI M10X40     | 1 |
| 4005 | 65300571 | КОЛЛЕКТОР В СБОРЕ 1"1/4 - MB...412<br>MANIFOLD KMPL. 1"1/4 - MB...412               | TUBO COMPLETO 1 1/4 - MB...412           | KOLEKTOR KOMPL. 1"1/4 - MB...412         | 1 |
|      | 65300572 | КОЛЛЕКТОР В СБОРЕ 3/4" - MB...407<br>MANIFOLD KMPL. 3/4" - MB...407                 | TUBO COMPLETO 3/4 - MB...407             | KOLEKTOR KOMPL. 3/4" - MB...407          | 1 |
|      | 65300655 | КОЛЛЕКТОР В СБОРЕ 2" - MB...420<br>MANIFOLD KMPL. 2" - MB...420                     | TUBO COMPLETO 2 - MB...420               | KOLEKTOR KOMPL. 2" - MB...420            | 1 |
| 4010 | 13011367 | СТАБИЛИЗАТОР + СТОПОРНОЕ КОЛЬЦО D60<br>STABILİZATÖR + CİRCİPS D60                   | ESTABILIZADOR+ANÉIS RETENÇÃO D60         | STABILIZATOR+CIRCLIPS D.60               | 1 |
| 4020 | 13009722 | ДАТЧИК ДАВЛЕНИЯ R1/8<br>R1/8 BASINÇ PRİZİ   | TOMADA DE PRESSÃO R1/8                   | GNIĄZDO CIŚNIENIOWE R1/8                 | 1 |
| 4100 | 13011112 | ГАЗОВЫЙ КЛАПАН MBZRDLE407B01S50 RP3/4<br>GAZ VANASI MBZRDLE407 B01S50 RP3/4 GW150   | VALVULA GAS MBZRDLE407 B01 S50 RP3/4     | ZAWÓR GAZOWY MBZRDLE407 B01 S50 GW150    | 1 |
|      | 13012275 | ГАЗОВЫЙ КЛАПАН MBZRDLE412B01S20 RP11/4<br>GAZ VANASI MBZRDLE412 B01 S20 RP1"1/4     | VALVULA GAS MBZRDLE412 B01 S20 RP11/4    | ZAWÓR GAZ.MBZRDLE412 B01 S20 RP1 1/4     | 1 |
|      | 65300664 | ГАЗОВЫЙ КЛАПАН MBZRDLE420 B01 S20 RP2"<br>GAZ VANASI MBZRDLE420 B01 S20 RP2"        | VALVULA GAS MBZRDLE420 B01 S20 RP2"      | ZAWÓR GAZOWY MBZRDLE420 B01 S20 RP2"     | 1 |
| 4110 | 13010078 | РЕЛЕ ДАВ. ВОЗДУХА GW 150 A5 5-150MB<br>GAZ BASINÇ ŞALT. GW 150 A5 5-150MB           | PRESSOSTATO GAS GW 150 A5 5-150MB        | CZUJNIK CIŚ. GAZU GW 150 A5 5-150MB      | 1 |
| 4120 | 13010073 | ОБОТКА DUN N° 1150 V2 MBZRDLE405-407<br>BOBIN DUN N° 1150 V2 MBZRDLE405-407         | BOBINA DUN N° 1150 V2 MBZRDLE405-407     | CEWKA DUN N° 1150 V2 MBZRDLE405-407      | 1 |
|      | 13012272 | ОБОТКА DUN N° 1250 V2 MBZRDLE410-412<br>BOBIN DUN N° 1250 V2 MBZRDLE410-412         | BOBINA DUN N° 1250 V2 MBZRDLE410-412     | CEWKA DUN N° 1250 V2 MBZRDLE410-412      | 1 |
|      | 13017275 | ОБОТКА DUN N° 1350 V2 MBZRDLE420<br>BOBIN DUN N° 1350 V2 MBZRDLE420                 | BOBINA DUN N° 1350 V2 MBZRDLE420         | CEWKA DUN N° 1350 V2 MBZRDLE420          | 1 |
| 4130 | 13010072 | ОБОТКА DUN N° 1101 V1 MBZRDLE405-407<br>BOBIN DUN N° 1101 V1 MBZRDLE405-407         | BOBINA DUN N° 1101 V1 MBZRDLE405-407     | CEWKA DUN N° 1101 V1 MBZRDLE405-407      | 1 |
|      | 13012273 | ОБОТКА DUN N° 1201 V1 MBZRDLE410-412<br>BOBIN DUN N° 1201 V1 MBZRDLE410-412         | BOBINA DUN N° 1201 V1 MBZRDLE410-412     | CEWKA DUN N° 1201 V1 MBZRDLE410-412      | 1 |









## ADDRESSES

[www.elco.net](http://www.elco.net)



## LIST OF THE ABBREVIATIONS

-  : Maintenance parts / Pièces d'entretien / Materiali di consumo /  
: Piezas de mantenimiento / Hilfsmaterial / Onderhoudsonderdelen
-  : Wearing parts / Pièces d'usure / Parti di usura  
: Piezas de desgaste / Verschleissteile / Slijtageonderdelen
- \* : Item not stocked, manufactured to order / Article non stocké, fabrication à la demande /  
: Articolo non a magazzino, produzione all'ordine / Artículo no almacenado, fabricación previa solicitud /  
: Keine Lagerware, wird bei Bedarf bestellt, Artikel niet op voorraad, fabricage op bestelling

## IDENTIFICATION PLATE

### SERIAL NUMBER

**7 Characters :** 00001 / K A

Sequential number

Trimester of manufacture : from A to D  
Year of manufacture : K → 2003  
L → 2004  
M → 2005  
etc ...

**8 Characters :** 00001 / L 09

Sequential number

Month of manufacture  
Year of manufacture : K → 2003  
L → 2004  
M → 2005  
etc ...

**11 Characters :** 2007 1370 P 07

Year of manufacture

Month of manufacture  
Year of manufacture : P → 2007  
R → 2008  
S → 2009  
T → 2010  
U → 2011  
W → 2012  
X → 2013  
Y → 2014  
Z → 2015

Sequential number

**18 Characters :** 070115 000000000001

Sequential number  
Manufacturing day (07) / Month (01) / Year (15)

The indications mentioned on the prices, commercial or technical literature and the scheme are written for your guidance and are available at a given time. The CONSTRUCTOR retains the power to modify the presentation, the form, the size, the conception or the material of the products.